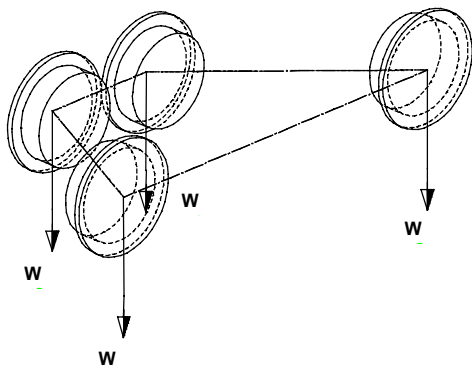


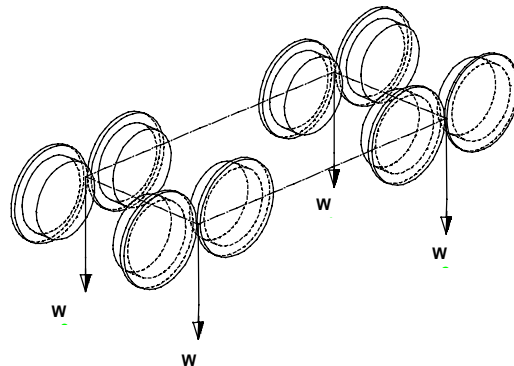
WHEEL LOAD	16
-------------------	-----------

See Section 24 for Trolley Load Drawings and Values for the appropriate hoist model and trolley type.

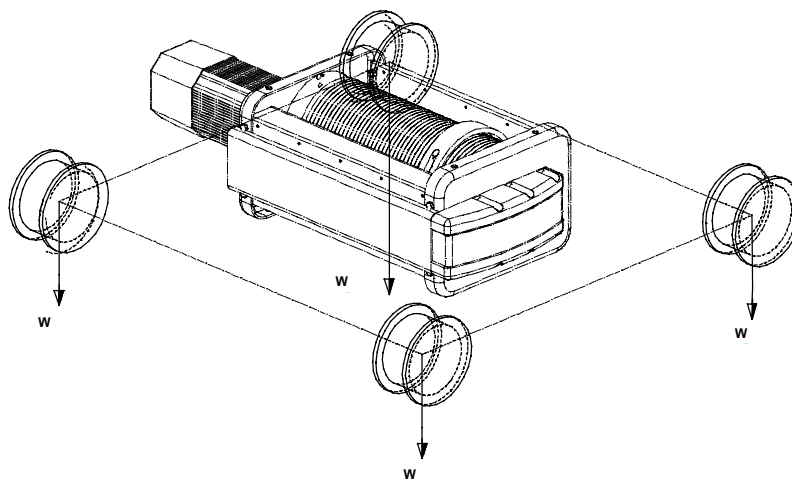
Trolley type:



SM1, SM2, SM3
R & N Trolley



SM4, SM5, SM6
N Trolley



SM1-6
DG Trolley