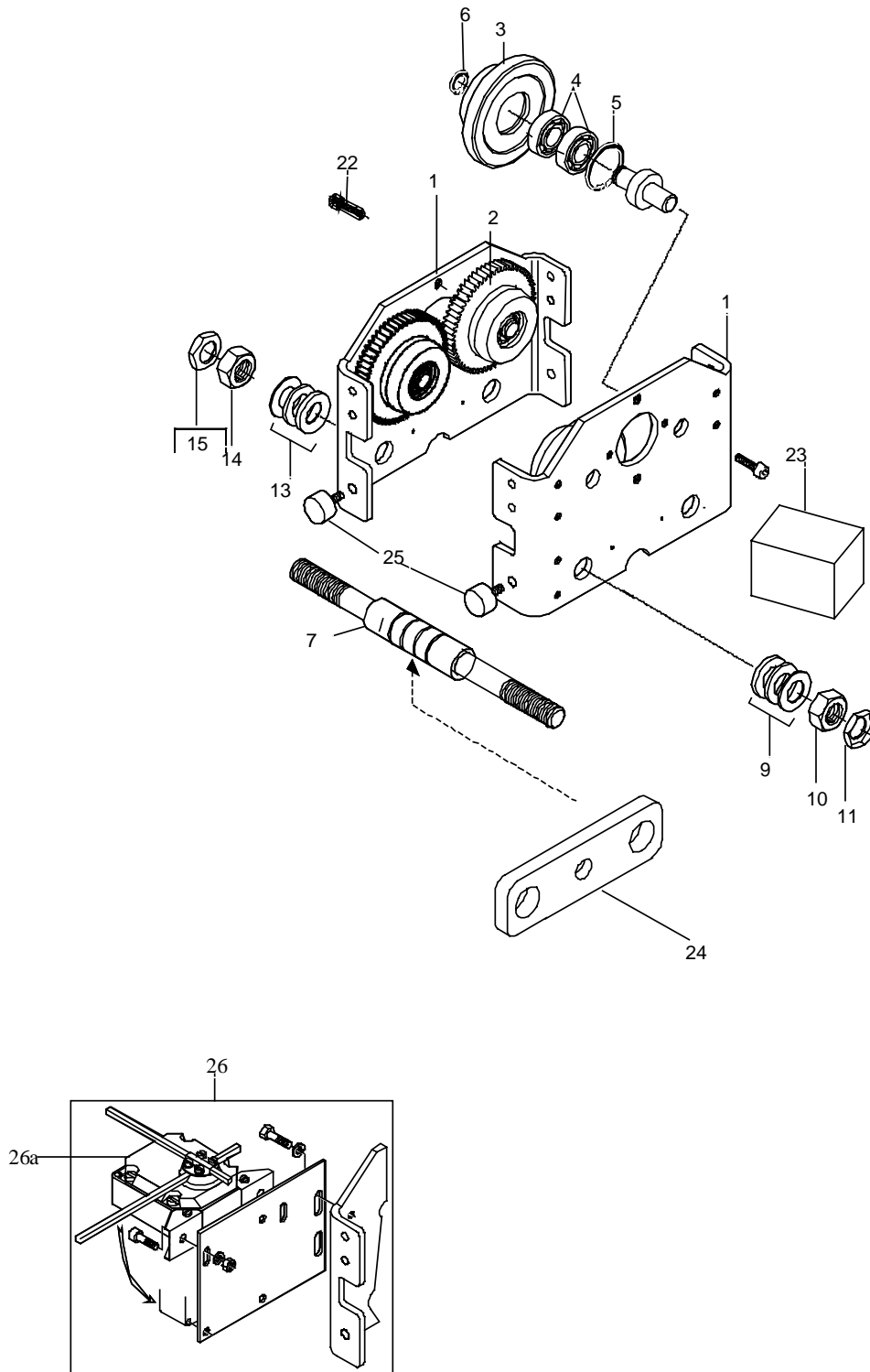




7 Spare Parts

7.1 TMU Trolley





TMU Trolley

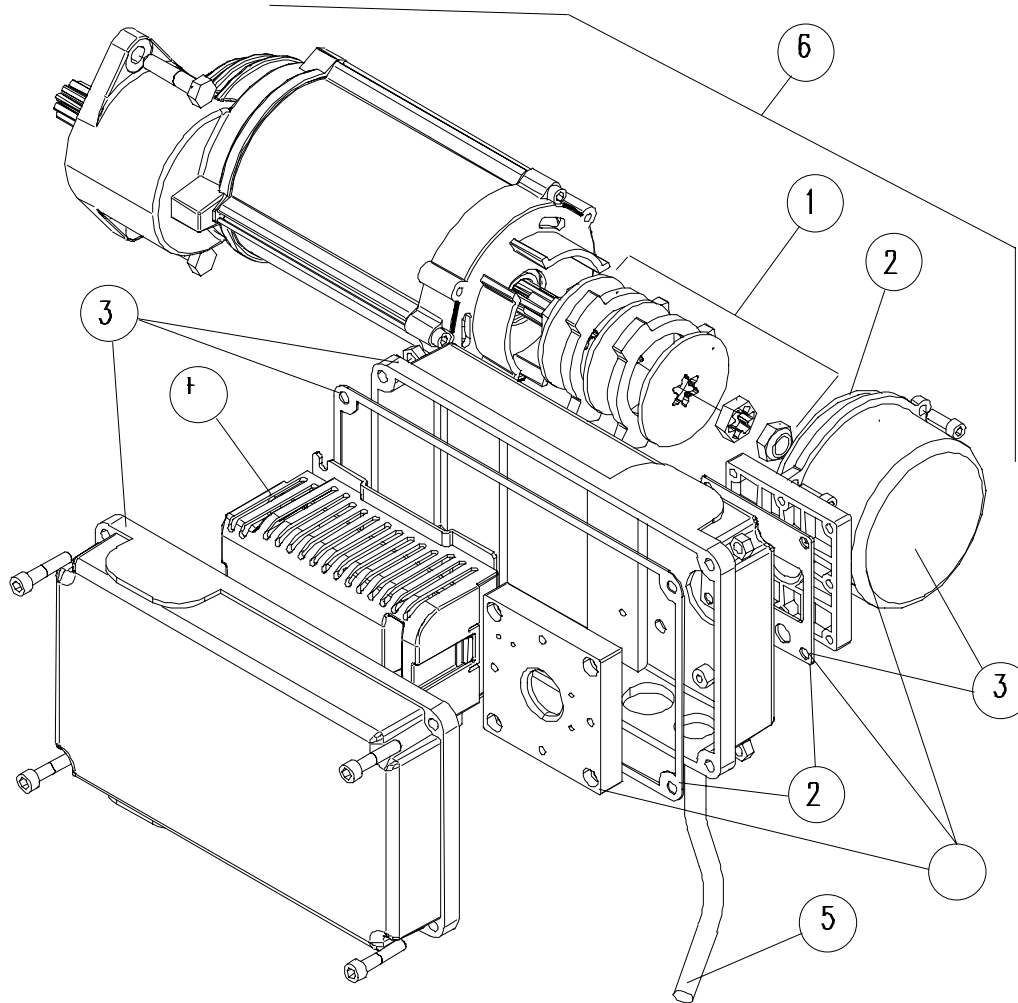
Item	Qty.	C1 ≤1000kg	C2 ≤2000kg	C3 ≤3200kg	C5 ≤5000kg	Description
1+3+4+5+6	1	2149901	2229916	2169901	2189901	Side plate assembly - idler
1+2+4+5+6	1	2149900	2229928	2169910	2189913	Side plate assembly - drive
7+9+10+11+2 4	1	2229894	-	-	-	Cross head assembly = 2.28-3.94 in. 55-100 mm
7+9+10+11+2 4	1	2229895	-	-	-	Cross head assembly = 4.17-5.90 in. 106-150 mm
7+9+10+11+2 4	1	2229896	-	-	-	Cross head assembly = 6.10-7.87 in. 155-200 mm
7+9+10+11+2 4	1	2229897	-	-	-	Cross head assembly = 8.11-9.76 in. 206-248 mm
7+9+10+11+2 4	1	2229898	-	-	-	Cross head assembly = 10.23-12.09 in. 260-307 mm
7+9+10+11+2 4	1	-	2229944	-	-	Cross head assembly = 2.54-4.96 in. 64-126 mm
7+9+10+11+2 4	1	-	2229945	-	-	Cross head assembly = 5.16-7.48 in. 131-190 mm
7+9+10+11+2 4	1	-	2229946	-	-	Cross head assembly = 7.80-9.76 in. 198-248mm
7+9+10+11+2 4	1	-	2229947	-	-	Cross head assembly = 10.24-12.2 in. 260-310 mm
7+9+10+11+2 4	1	-	-	2169902	-	Cross head assembly = 3.28-5.39 in. 82-137 mm
7+9+10+11+2 4	1	-	-	2169903	-	Cross head assembly = 5.51-7.48 in. 140-190 mm
7+9+10+11+2 4	1	-	-	2169904	-	Cross head assembly = 7.80-9.76 in. 198-248 mm
7+9+10+11+2 4	1	-	-	2169905	-	Cross head assembly = 10.24-12.2 in. 260-310 mm
7+9+10+11+2 4	1	-	-	-	2189902	Cross head assembly = 3.23-4.33 in. 82-110 mm
7+9+10+11+2 4	1	-	-	-	2189903	Cross head assembly = 4.45-5.91 in. 113-150 mm
7+9+10+11+2 4	1	-	-	-	2189904	Cross head assembly = 6.10-7.87 in. 155-200 mm
7+9+10+11+2 4	1	-	-	-	2189905	Cross head assembly = 8.11-9.76 in. 206-248 mm
7+9+10+11+2 4	1	-	-	-	2189906	Cross head assembly = 10.24-12. In. 260-310 mm

Item	Qty.	C1 ≤1000kg	C2 ≤2000kg	C3 ≤3200kg	C5 ≤5000kg	Description
1	2	-	-	-	-	Side plate
2	2	558909	558919	558929	558949	Drive wheel with bearings 2+4+5
2a	2	2309781002	2309782002	2309783002	2309784002	Patented track drive wheel assy
3	2	558908	558918	558928	558948	Idle wheel with bearings 3+4+5
3a	2	2309781001	2309782001	2309783001	2309784001	Patented track idler wheel assy
6	4	-	-	-	-	Circlips external
7	2	-	-	-	-	Tension rod
9	-	-	-	-	-	Washers
10	4	-	-	-	-	Nut
11	4	-	-	-	-	PAL
22	2	830203	830203	830203	830203	CHC Screw (for drive)
23	2	558868	-	-	-	Counterweight
24	1	-	-	-	-	Adapter (perpendicular)



25	4	558993	558993	558993	558993	Bumper
26	1	2104205001	2104205001	2104205001	2104205001	Complete limit switch
26a	1	50004910	50004910	50004910	50004910	Limit switch
26b	1	558995	558995	558995	558995	Bracket – limit switch

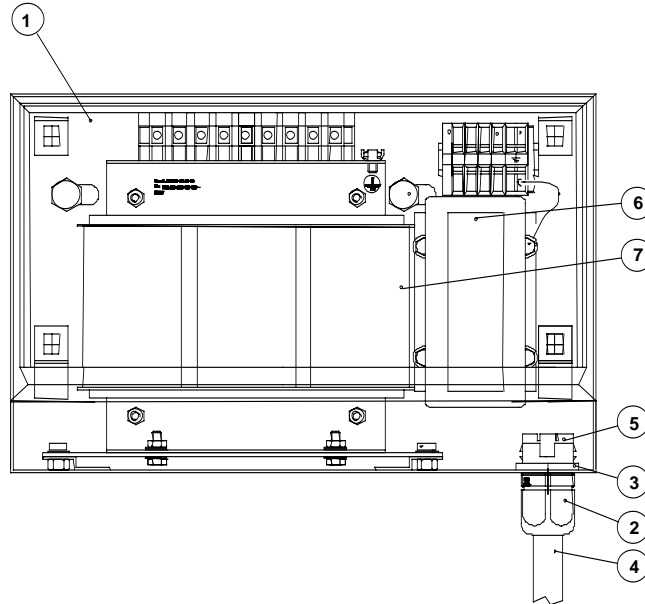
7.2 TMU Variable Frequency Drive



Item	Part Number	Description	Specification
1	52296293	Brake repair kit	M06-001V
2	52300292	Gasket set	M06-008V
3	52000291	Enclosure	M06-007V
4	52300287	Inverter + filter 48v control	M06-003V
4	52300288	Inverter + filter 115v control	M06-004V
5	52297959	Electrical cable + plug + cable gland + nut	CCGCELCP-04
6	52299087	Complete gear motor drive + VFD – 48v control	
6	52299088	Complete gear motor drive + VFD – 115v control	
6	52299089	Complete gearless motor drive + VFD – 48v control	
6	52299090	Complete gearless motor drive + VFD – 115v control	
7		Brake cover kit with gasket	



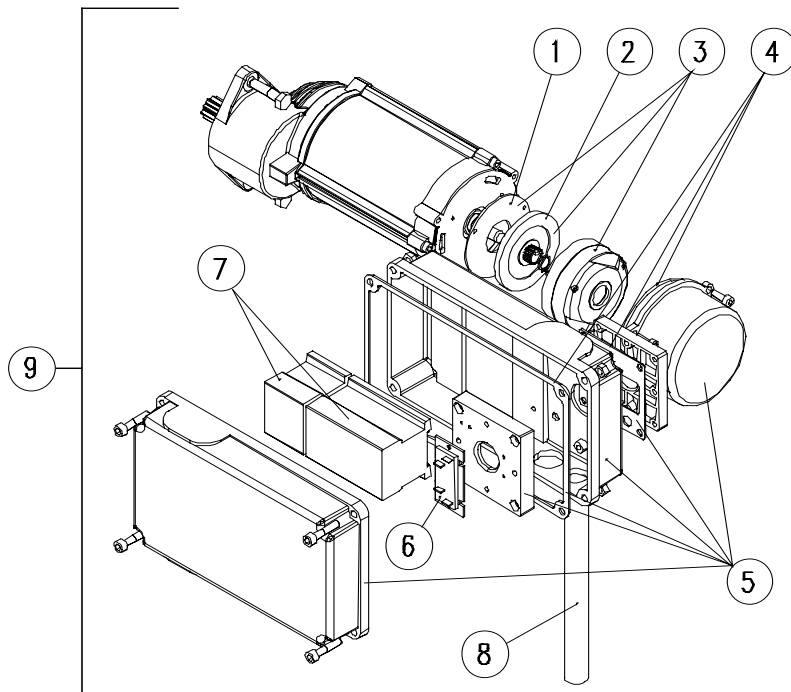
7.3 TMU VFD Transformer & Line Reactor



Item	Qty	Part number	Description
1	1	52303806	Complete transformer/reactor package – 208 or 230v (2+3+4+5+6+7)
1	1	52303807	Complete transformer/reactor package – 460v (2+3+4+5+6+7)
1	1	52303308	Complete transformer/reactor package – 575v (2+3+4+5+6+7)
2+3+4+5	1	52297959	Electrical cable + plug + cable gland + nut
6	1	52297959	Line reactor
7	1	52299489	Transformer 208/230v – 440v
7	1	52299494	Transformer 460v – 440v
7	1	52299492	Transformer 575v – 440v



7.4 TMU Two-speed Motor



Item	Part Number	Description	Specification
1	52269590	Friction wear plate	NM38710KLV
2	52269587	Friction disc	NM38710JPV
3	52269582	Complete brake 180 vdc coil (208, 230, 400, 460vac)	NM38710NR2V
3	52269583	Complete brake 240 vdc coil (575vac)	NM38710NR3V
4	52300292	Gasket set	M06-008V
5	52300291	Brake cover kit with gasket	M06-007V
6	60010152	Rectifier – Full wave (208, 230vac)	NM181NR2V
6	60003169	Rectifier – Half wave (400, 460, 575vac)	NM181NR4V
7	52306792	Contactors – 48v control	
7	52306794	Contactors – 115v control	
8	52297959	Electrical cable + plug + cable gland + nut	CCGCELCP-04
9	52306026	Complete drive – 460v	
9	52306027	Complete drive – 575v	
9	52306028	Complete drive – 208/230v	