



Chain Hoist for Crane – Hoist Mounted Push Button Pendant

LM Electric Chain Hoist Wiring Instruction - Chain Hoist for Crane

If the push button pendant is mounted to the chain hoist, all leads from the pendant (including the bridge button leads) are brought in to the hoist control panel.

Use Bridge Control Transformer for All Motions

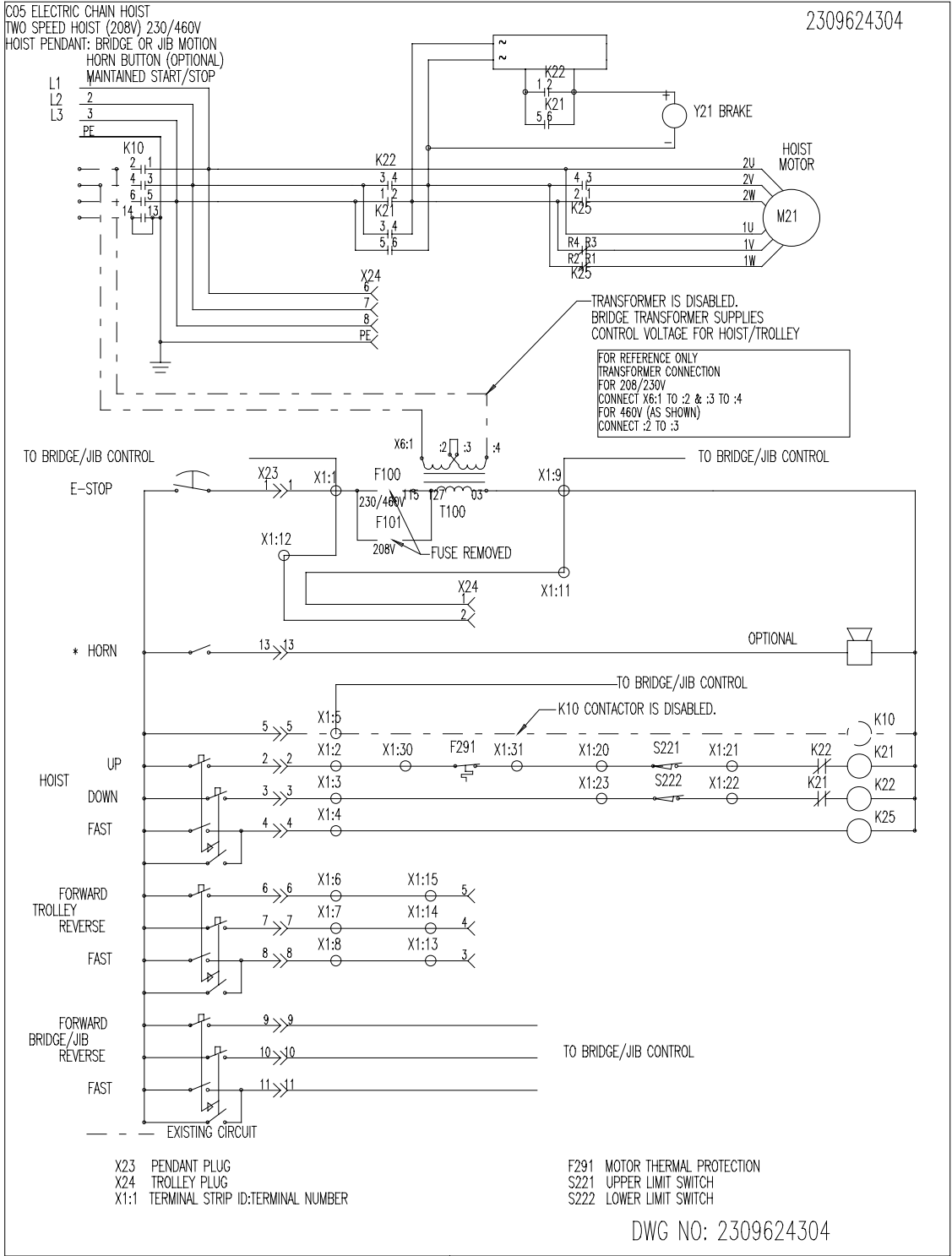
1. Rewire X23 plug in hoist body. (X23 – the female side of the pendant plug in the hoist control panel)
 - a) Cut two (2) wires approximately 6” long and crimp female plug onto one end. Label one wire #10, the other wire #11 and insert the wires into the X23 plug in the corresponding plug location.
 - b) LM05 Hoist Body:
 - Remove wire #5 from the X1:5 terminal strip*.
 - Remove wire #9 from the X1:9 terminal strip*.LM10, LM16, LM20; LM25 Hoist Body:
 - Remove wire #5 from A2 on the K10 contactor*.
 - Remove wire #9 from the X1:9 terminal strip*.

*These wires should all be connected to the X23 plug.
2. On the LM05 remove the F100 transformer fuse.
3. On the LM05 add the mainline power feed to the load side of the K10 contactor. On the LM10, 16, 20; 25 add the mainline power feed into the normal position.
4. Wire connections between the bridge and hoist.

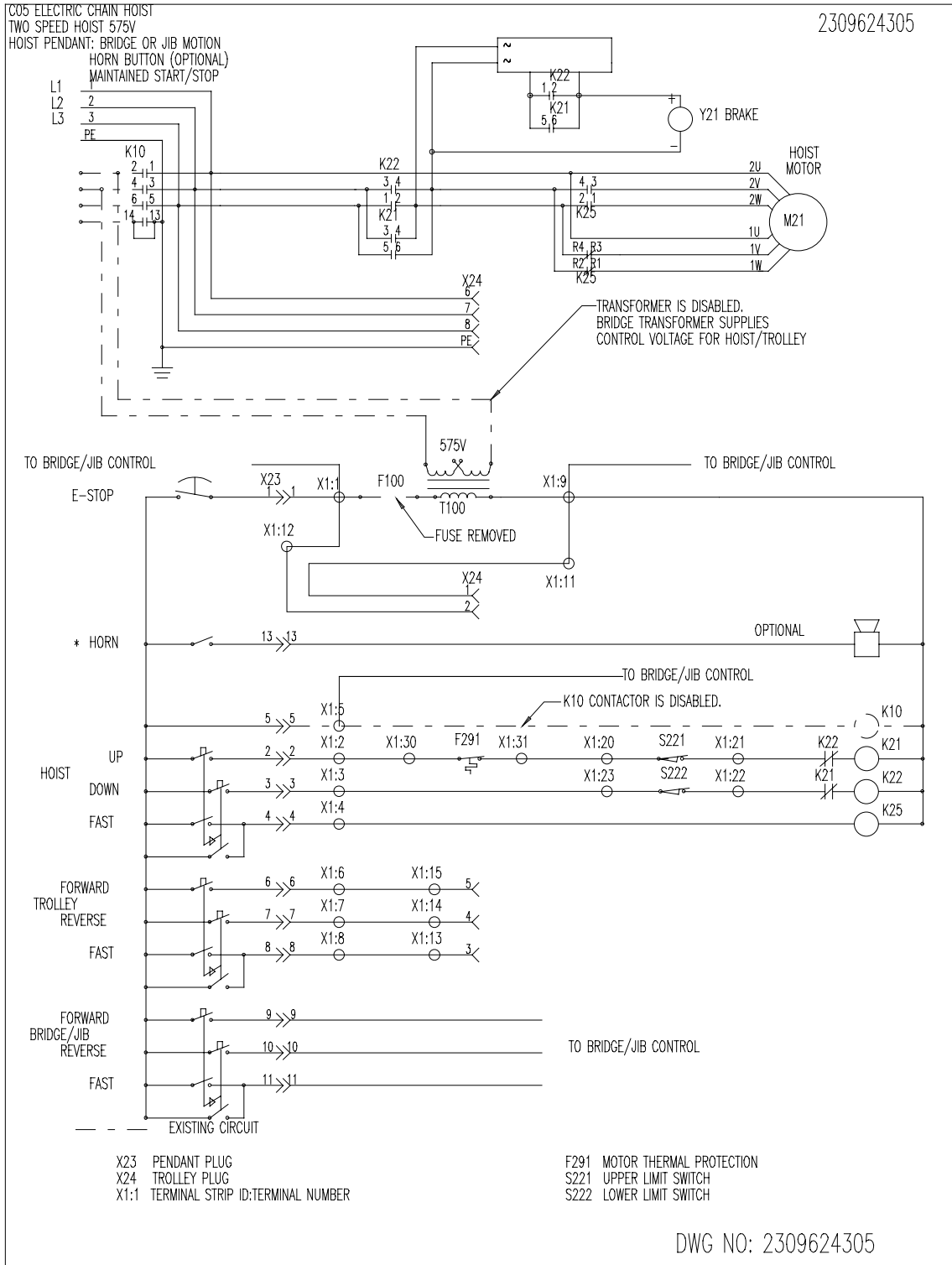
Wire #5	E-stop from pushbutton to A2 coil on bridge mainline contactor.
Wire #9	Bridge forward
Wire #10	Bridge reverse
Wire #11	Bridge fast
Control neutral wire to X1:9 terminal strip	
LM05 Hoist: Control hot wire to X1:1 terminal strip.	
LM10, LM16, LM20; LM25 Hoist: Control hot wire to X1:10 terminal strip.	

****Factory not responsible for wiring completed in field. This is just a note to assist in the wiring change.***

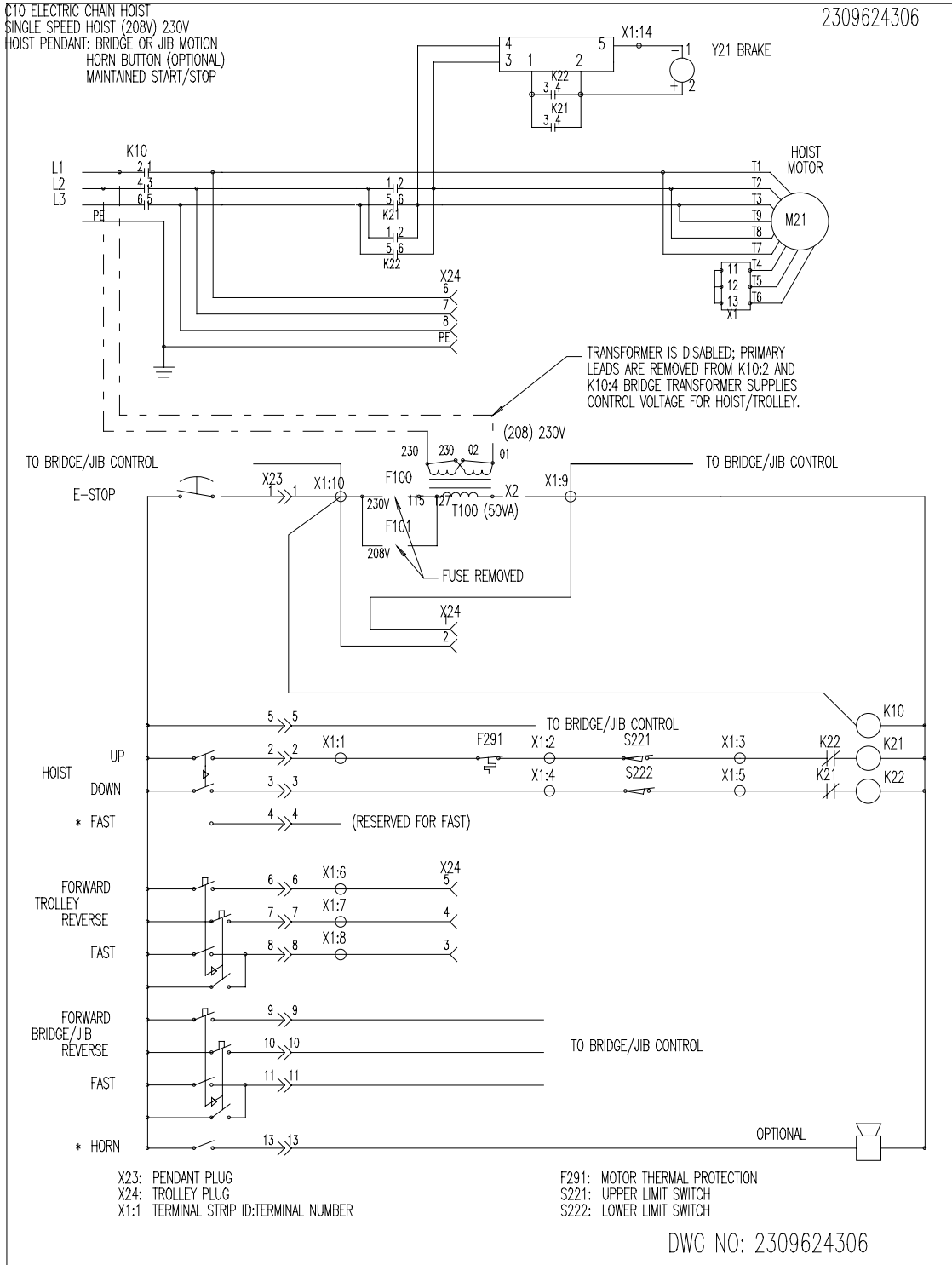
LM05 Two-Speed Hoist 208v or 230v or 460v - Telemecanique Style Push Button



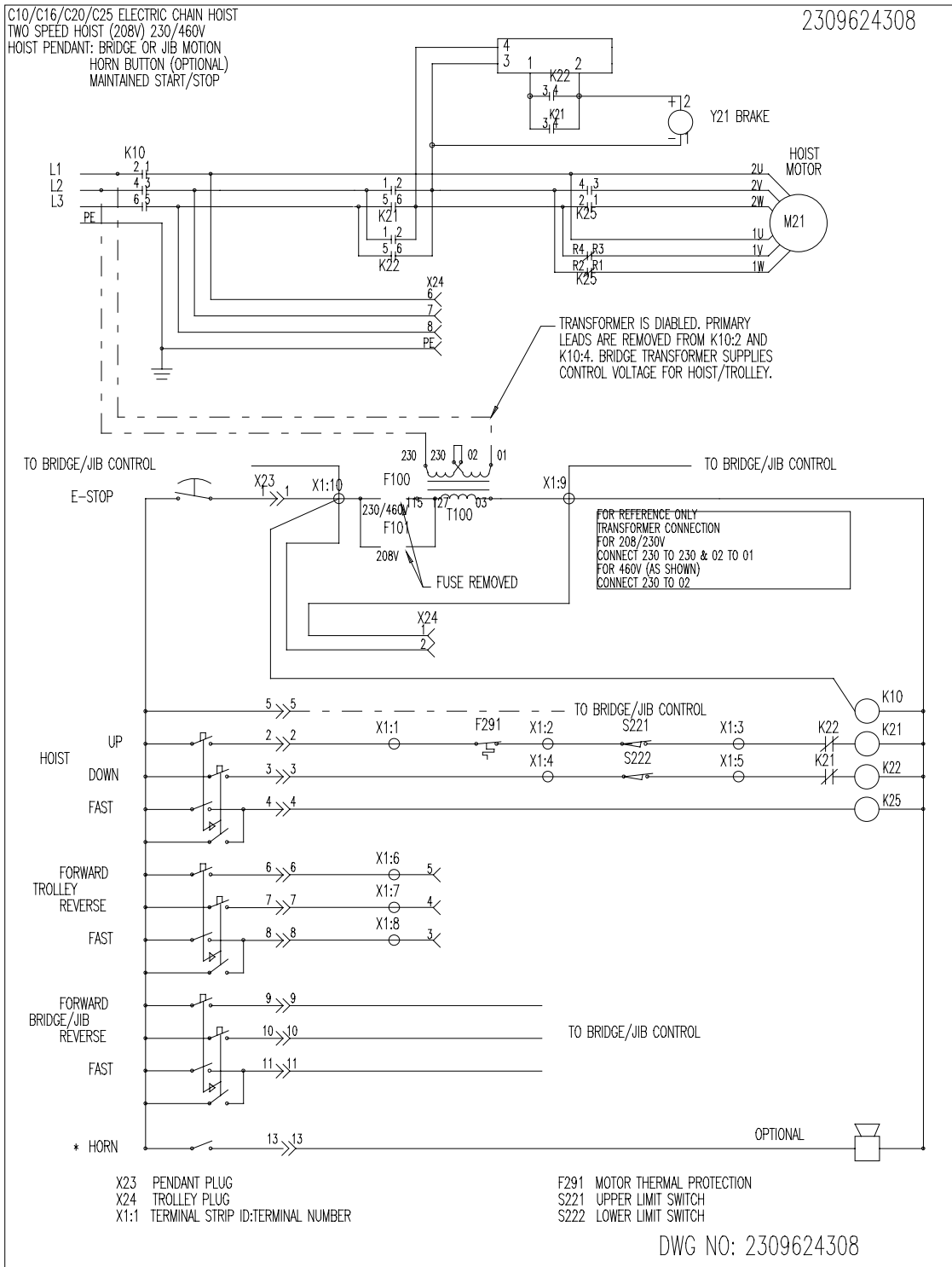
LM05 Two-Speed Hoist 575v - Telemecanique Style Push Button



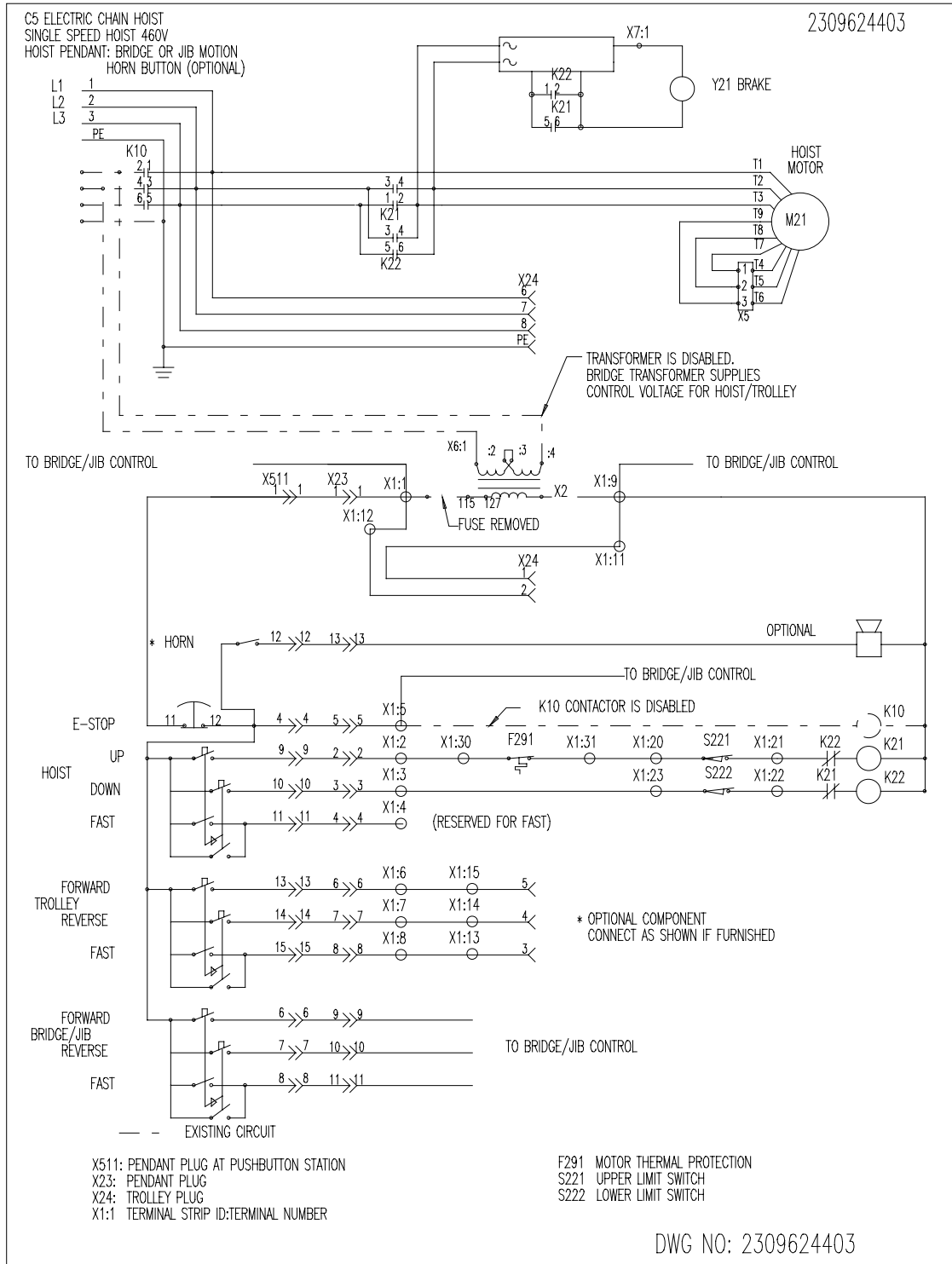
LM10 Single Speed Hoist 208v or 230v - Telemecanique Style Push Button



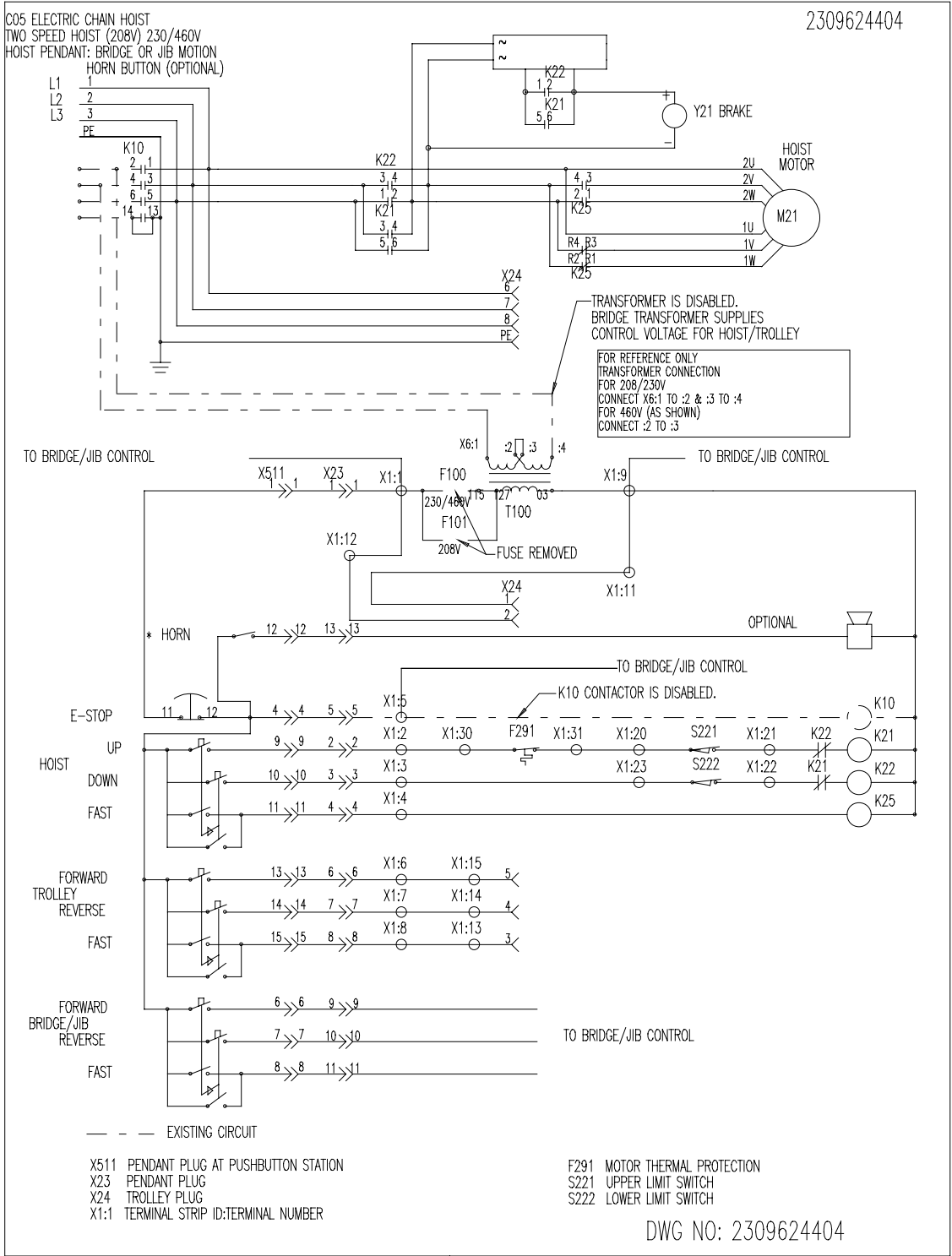
LM10-16-20-25 Two-Speed Hoist 208v or 230v or 460v - Telemecanique Style Push Button



LM05 Single Speed Hoist 460v – PBR Style Push Button Pendant



LM05 Two-Speed Hoist 208v or 230v or 460v – PBR Style Push Button Pendant



LM10-16-20-25 Two-Speed Hoist 208v or 230v or 460v – PBR Style Push Button Pendant

