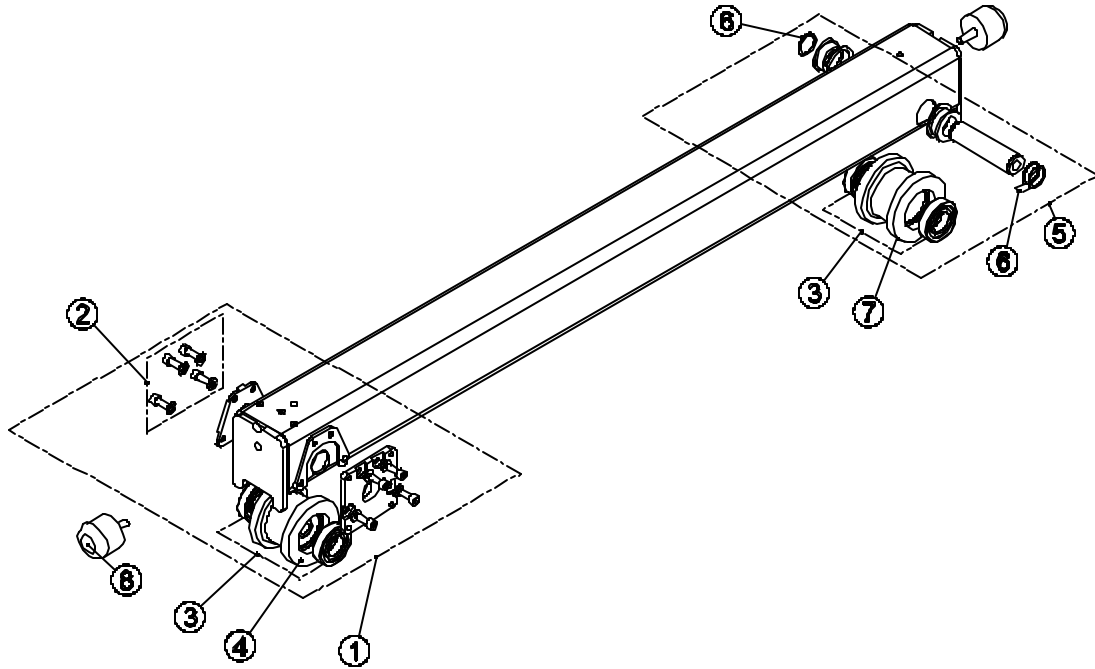




R&M Materials Handling, Inc.
 4501 Gateway Boulevard
 Springfield, Ohio 45502
 ☎ : (937) 328-5100
 FAX: (937) 325-5319

6 Spare Parts

6.1 RT09



005741_1

Pos.	Item Code	From	To	Description	Pcs
1	3000001443			WHEEL SET; DRIVE 1: Wheel groove = 50	1
1	3000001676			WHEEL SET; DRIVE 1: Wheel groove = 55	1
1	3000001677			WHEEL SET; DRIVE 1: Wheel groove = 60	1
1	3000001678			WHEEL SET; DRIVE 1: Wheel groove = 65	1
2	3000001444			HARDWARE SET	2
3	3000001679			BEARING SET	2
4	-			WHEEL 1: Wheel groove = 50	
4	-			WHEEL 1: Wheel groove = 55	
4	-			WHEEL 1: Wheel groove = 60	
4	-			WHEEL 1: Wheel groove = 65	
5	3000001680			WHEEL SET; IDLER 1: Wheel groove = 50	1
5	3000001681			WHEEL SET; IDLER 1: Wheel groove = 55	1



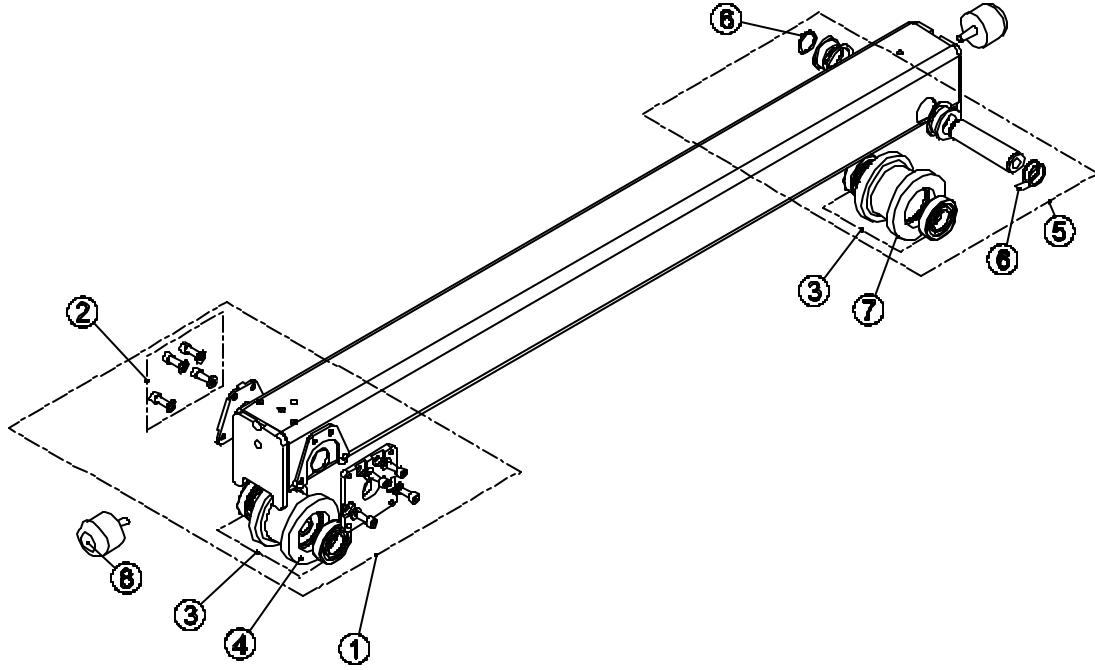
R&M Materials Handling, Inc.
4501 Gateway Boulevard
Springfield, Ohio 45502
☎ : (937) 328-5100
FAX: (937) 325-5319

5	3000001682	WHEEL SET; IDLER 1: Wheel groove = 60	1
5	3000001683	WHEEL SET; IDLER 1: Wheel groove = 65	1
6	3000001684	HARDWARE SET	1
7	-	WHEEL 1: Wheel groove = 50	
7	-	WHEEL 1: Wheel groove = 55	
7	-	WHEEL 1: Wheel groove = 60	
7	-	WHEEL 1: Wheel groove = 65	
8	3000000982	BUFFER 1: Buffer type = A	2
8	3000001140	BUFFER 1: Buffer type = B	2



R&M Materials Handling, Inc.
 4501 Gateway Boulevard
 Springfield, Ohio 45502
 ☎ : (937) 328-5100
 FAX: (937) 325-5319

6.2 RT11/RS11



005741_1

Pos.	Item Code	From	To	Description	Pcs
1	3000001685			WHEEL SET; DRIVE 1: Wheel groove = 50	1
1	3000001686			WHEEL SET; DRIVE 1: Wheel groove = 55	1
1	3000001687			WHEEL SET; DRIVE 1: Wheel groove = 60	1
1	3000001688			WHEEL SET; DRIVE 1: Wheel groove = 65	1
1	3000001689			WHEEL SET; DRIVE 1: Wheel groove = 70	1
1	3000001690			WHEEL SET; DRIVE 1: Wheel groove = 75	1
2	3000001444			HARDWARE SET	2
3	3000001692			BEARING SET	2
4	-			WHEEL 1: Wheel groove = 50	
4	-			WHEEL 1: Wheel groove = 55	
4	-			WHEEL 1: Wheel groove = 60	
4	-			WHEEL 1: Wheel groove = 65	
4	-			WHEEL 1: Wheel groove = 70	
4	-			WHEEL	



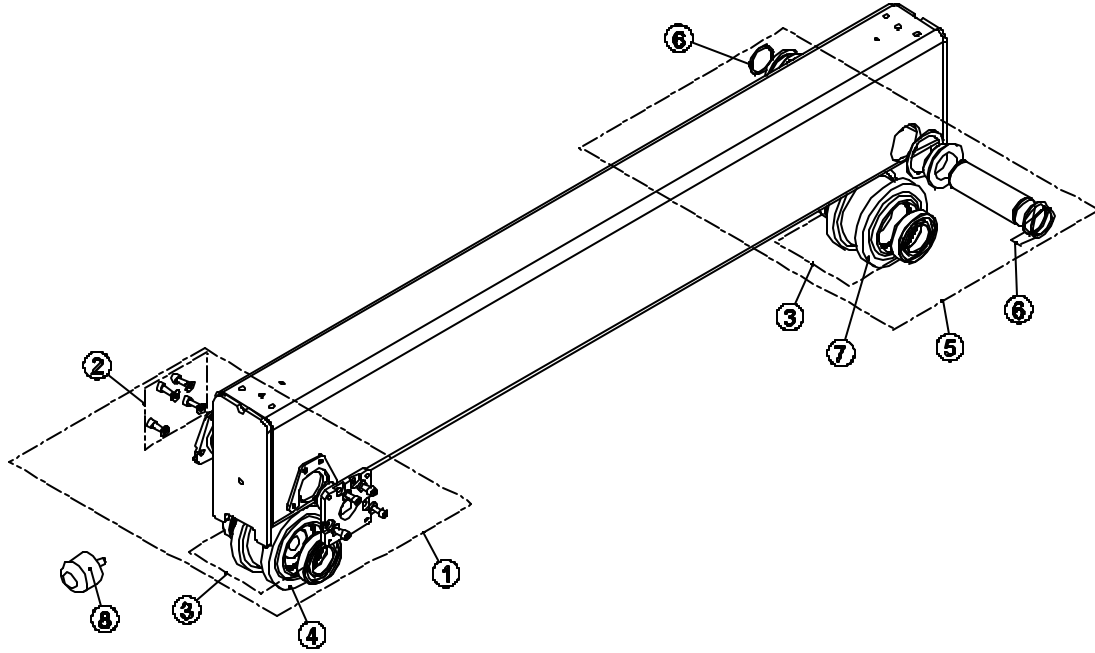
R&M Materials Handling, Inc.
 4501 Gateway Boulevard
 Springfield, Ohio 45502
 ☎ : (937) 328-5100
 FAX: (937) 325-5319

		1: Wheel groove = 75	
5	3000001693	WHEEL SET; IDLER	1
		1: Wheel groove = 50	
5	3000001694	WHEEL SET; IDLER	1
		1: Wheel groove = 55	
5	3000001695	WHEEL SET; IDLER	1
		1: Wheel groove = 60	
5	3000001696	WHEEL SET; IDLER	1
		1: Wheel groove = 65	
5	3000001697	WHEEL SET; IDLER	1
		1: Wheel groove = 70	
5	3000001698	WHEEL SET; IDLER	1
		1: Wheel groove = 75	
6	3000001699	HARDWARE SET	1
7	-	WHEEL	
		1: Wheel groove = 50	
7	-	WHEEL	
		1: Wheel groove = 55	
7	-	WHEEL	
		1: Wheel groove = 60	
7	-	WHEEL	
		1: Wheel groove = 65	
7	-	WHEEL	
		1: Wheel groove = 70	
7	-	WHEEL	
		1: Wheel groove = 75	
8	3000000982	BUFFER	2
		1: Buffer type = A	
8	3000001140	BUFFER	2
		1: Buffer type = B	
8	3000001837	BUFFER	2
		1: Buffer type = C	
8	3000001838	BUFFER	2
		1: Buffer type = D	



R&M Materials Handling, Inc.
 4501 Gateway Boulevard
 Springfield, Ohio 45502
 ☎ : (937) 328-5100
 FAX: (937) 325-5319

6.3 RT14/RS14



005743_1

Pos.	Item Code	From	To	Description	Pcs
1	3000001700			WHEEL SET; DRIVE 1: Wheel groove = 50	1
1	3000001701			WHEEL SET; DRIVE 1: Wheel groove = 55	1
1	3000001702			WHEEL SET; DRIVE 1: Wheel groove = 60	1
1	3000001703			WHEEL SET; DRIVE 1: Wheel groove = 65	1
1	3000001704			WHEEL SET; DRIVE 1: Wheel groove = 70	1
1	3000001705			WHEEL SET; DRIVE 1: Wheel groove = 75	1
2	3000001444			HARDWARE SET	2
3	3000001706			BEARING SET	2
4	3000002110			WHEEL 1: Wheel groove = 50	1
4	3000002111			WHEEL 1: Wheel groove = 55	1
4	3000002112			WHEEL 1: Wheel groove = 60	1
4	3000002113			WHEEL 1: Wheel groove = 65	1
4	3000002114			WHEEL 1: Wheel groove = 70	1
4	3000002115			WHEEL 1: Wheel groove = 75	1
5	3000001707			WHEEL SET; IDLER	1



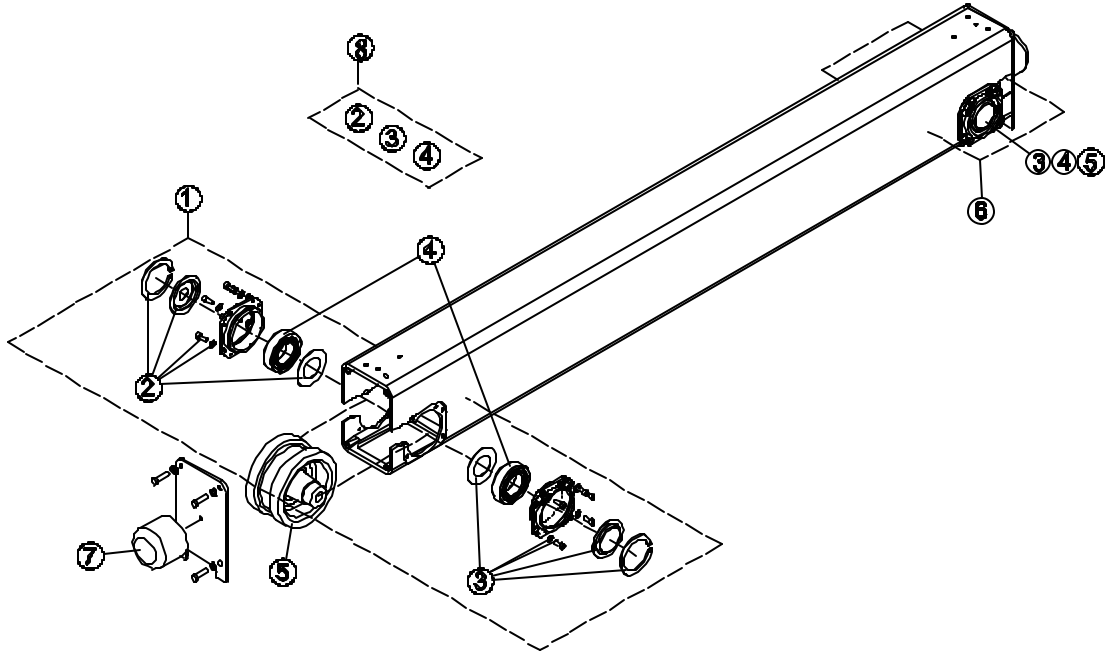
R&M Materials Handling, Inc.
 4501 Gateway Boulevard
 Springfield, Ohio 45502
 ☎ : (937) 328-5100
 FAX: (937) 325-5319

		1: Wheel groove = 50	
5	3000001708	WHEEL SET; IDLER	1
		1: Wheel groove = 55	
5	3000001709	WHEEL SET; IDLER	1
		1: Wheel groove = 60	
5	3000001710	WHEEL SET; IDLER	1
		1: Wheel groove = 65	
5	3000001711	WHEEL SET; IDLER	1
		1: Wheel groove = 70	
5	3000001712	WHEEL SET; IDLER	1
		1: Wheel groove = 75	
6	3000001713	HARDWARE SET	1
7	-	WHEEL	
		1: Wheel groove = 50	
7	-	WHEEL	
		1: Wheel groove = 55	
7	-	WHEEL	
		1: Wheel groove = 60	
7	-	WHEEL	
		1: Wheel groove = 65	
7	-	WHEEL	
		1: Wheel groove = 70	
7	-	WHEEL	
		1: Wheel groove = 75	
8	3000000982	BUFFER	2
		1: Buffer type = A	
8	3000001140	BUFFER	2
		1: Buffer type = B	
8	3000001837	BUFFER	2
		1: Buffer type = C	
8	3000001838	BUFFER	2
		1: Buffer type = D	



R&M Materials Handling, Inc.
 4501 Gateway Boulevard
 Springfield, Ohio 45502
 ☎ : (937) 328-5100
 FAX: (937) 325-5319

6.4 RT20



005745_1

Pos.	Item Code	From	To	Description	Pcs
1	3000001714			WHEEL SET; DRIVE 1: Wheel groove = 55	1
1	3000001715			WHEEL SET; DRIVE 1: Wheel groove = 60	1
1	3000001716			WHEEL SET; DRIVE 1: Wheel groove = 65	1
1	3000001717			WHEEL SET; DRIVE 1: Wheel groove = 70	1
1	3000001718			WHEEL SET; DRIVE 1: Wheel groove = 75	1
1	3000001719			WHEEL SET; DRIVE 1: Wheel groove = 80	1
1	3000001720			WHEEL SET; DRIVE 1: Wheel groove = 85	1
1	3000001721			WHEEL SET; DRIVE 1: Wheel groove = 90	1
1	3000001722			WHEEL SET; DRIVE 1: Wheel groove = 95	1
1	3000001723			WHEEL SET; DRIVE 1: Wheel groove = 100	1
2	3000001735 (3000001177)			HARDWARE SET	1
3	3000001734 (3000001178)			HARDWARE SET	3
4	3000001736			BEARING SET	2
5	3000001167			WHEEL	2



R&M Materials Handling, Inc.
 4501 Gateway Boulevard
 Springfield, Ohio 45502
 ☎ : (937) 328-5100
 FAX: (937) 325-5319

		1: Wheel groove = 55	
5	3000001168	WHEEL	2
		1: Wheel groove = 60	
5	3000001169	WHEEL	2
		1: Wheel groove = 65	
5	3000001170	WHEEL	2
		1: Wheel groove = 70	
5	3000001171	WHEEL	2
		1: Wheel groove = 75	
5	3000001172	WHEEL	2
		1: Wheel groove = 80	
5	3000001173	WHEEL	2
		1: Wheel groove = 85	
5	3000001174	WHEEL	2
		1: Wheel groove = 90	
5	3000001175	WHEEL	2
		1: Wheel groove = 95	
5	3000001176	WHEEL	2
		1: Wheel groove = 100	
6	3000001724	WHEEL SET; IDLER	1
		1: Wheel groove = 55	
6	3000001725	WHEEL SET; IDLER	1
		1: Wheel groove = 60	
6	3000001726	WHEEL SET; IDLER	1
		1: Wheel groove = 65	
6	3000001727	WHEEL SET; IDLER	1
		1: Wheel groove = 70	
6	3000001728	WHEEL SET; IDLER	1
		1: Wheel groove = 75	
6	3000001729	WHEEL SET; IDLER	1
		1: Wheel groove = 80	
6	3000001730	WHEEL SET; IDLER	1
		1: Wheel groove = 85	
6	3000001731	WHEEL SET; IDLER	1
		1: Wheel groove = 90	
6	3000001732	WHEEL SET; IDLER	1
		1: Wheel groove = 95	
6	3000001733	WHEEL SET; IDLER	1
		1: Wheel groove = 100	
7	3000001140	BUFFER	2
		1: Buffer type = B	
		2: Frame size = E	
7	3000001837	BUFFER	2
		1: Buffer type = C	
7	3000001838	BUFFER	2
		1: Buffer type = D	
7	3000001830	BUFFER	2
		1: Buffer type = E	
7	3000001831	BUFFER	2
		1: Buffer type = M	
7	3000001832	BUFFER	2
		1: Buffer type = F	



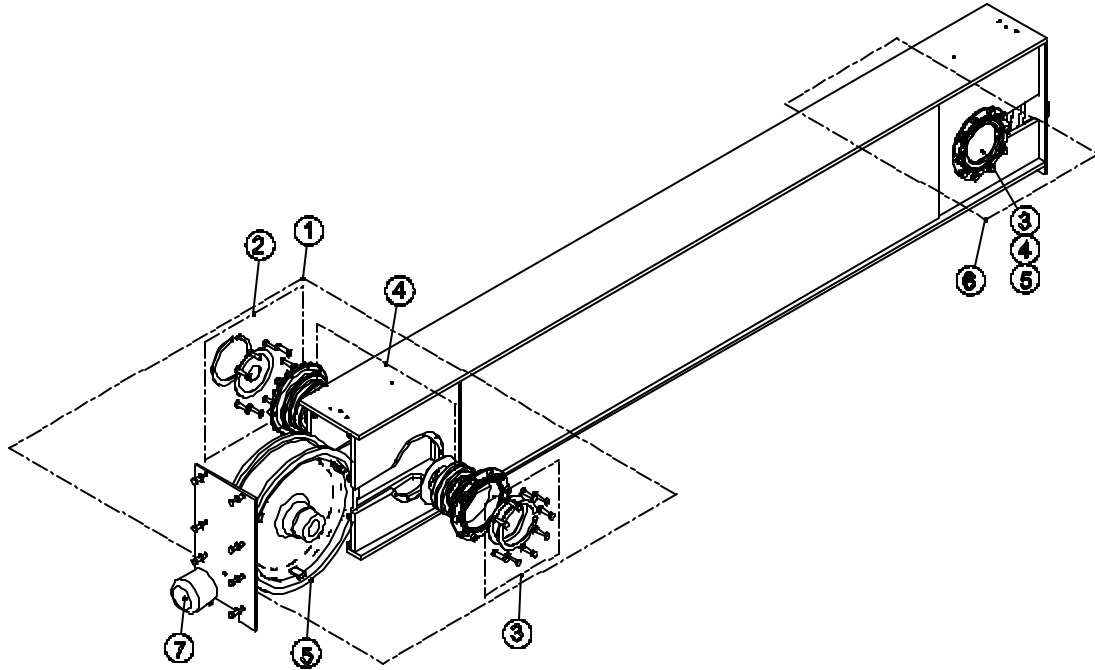
R&M Materials Handling, Inc.
4501 Gateway Boulevard
Springfield, Ohio 45502
☎ : (937) 328-5100
FAX: (937) 325-5319

7	3000001833	BUFFER 1: Buffer type = H	2
7	3000001834	BUFFER 1: Buffer type = P	2
7	3000001835	BUFFER 1: Buffer type = I	2
7	3000001836	BUFFER 1: Buffer type = S	2
8	3000002258 (3000001141)	HARDWARE SET	1



R&M Materials Handling, Inc.
 4501 Gateway Boulevard
 Springfield, Ohio 45502
 ☎ : (937) 328-5100
 FAX: (937) 325-5319

6.5 RT25



005747_1

Pos.	Item Code	From	To	Description	Pcs
1	3000001737			WHEEL SET; DRIVE 1: Wheel groove = 55	1
1	3000001738			WHEEL SET; DRIVE 1: Wheel groove = 60	1
1	3000001739			WHEEL SET; DRIVE 1: Wheel groove = 65	1
1	3000001740			WHEEL SET; DRIVE 1: Wheel groove = 70	1
1	3000001741			WHEEL SET; DRIVE 1: Wheel groove = 75	1
1	3000001742			WHEEL SET; DRIVE 1: Wheel groove = 80	1
1	3000001743			WHEEL SET; DRIVE 1: Wheel groove = 85	1
1	3000001744			WHEEL SET; DRIVE 1: Wheel groove = 90	1
1	3000001745			WHEEL SET; DRIVE 1: Wheel groove = 95	1
1	3000001746			WHEEL SET; DRIVE 1: Wheel groove = 100	1
2	3000001758			HARDWARE SET	1
3	3000001757			HARDWARE SET	3
4	3000001759			BEARING SET	2
5	-			WHEEL 1: Wheel groove = 55	



R&M Materials Handling, Inc.
4501 Gateway Boulevard
Springfield, Ohio 45502
☎ : (937) 328-5100
FAX: (937) 325-5319

5	-	WHEEL 1: Wheel groove = 60	
5	-	WHEEL 1: Wheel groove = 65	
5	-	WHEEL 1: Wheel groove = 70	
5	-	WHEEL 1: Wheel groove = 75	
5	-	WHEEL 1: Wheel groove = 80	
5	-	WHEEL 1: Wheel groove = 85	
5	-	WHEEL 1: Wheel groove = 90	
5	-	WHEEL 1: Wheel groove = 95	
5	-	WHEEL 1: Wheel groove = 100	
6	3000001747	WHEEL SET; IDLER 1: Wheel groove = 55	1
6	3000001748	WHEEL SET; IDLER 1: Wheel groove = 60	1
6	3000001749	WHEEL SET; IDLER 1: Wheel groove = 65	1
6	3000001750	WHEEL SET; IDLER 1: Wheel groove = 70	1
6	3000001751	WHEEL SET; IDLER 1: Wheel groove = 75	1
6	3000001752	WHEEL SET; IDLER 1: Wheel groove = 80	1
6	3000001753	WHEEL SET; IDLER 1: Wheel groove = 85	1
6	3000001754	WHEEL SET; IDLER 1: Wheel groove = 90	1
6	3000001755	WHEEL SET; IDLER 1: Wheel groove = 95	1
6	3000001756	WHEEL SET; IDLER 1: Wheel groove = 100	1
7	3000001140	BUFFER 1: Buffer type = B	2
7	3000001837	BUFFER 1: Buffer type = C	2
7	3000001838	BUFFER 1: Buffer type = D	2
7	3000001830	BUFFER 1: Buffer type = E	2
7	3000001831	BUFFER 1: Buffer type = M	2
7	3000001832	BUFFER 1: Buffer type = F	2
7	3000001833	BUFFER 1: Buffer type = H	2



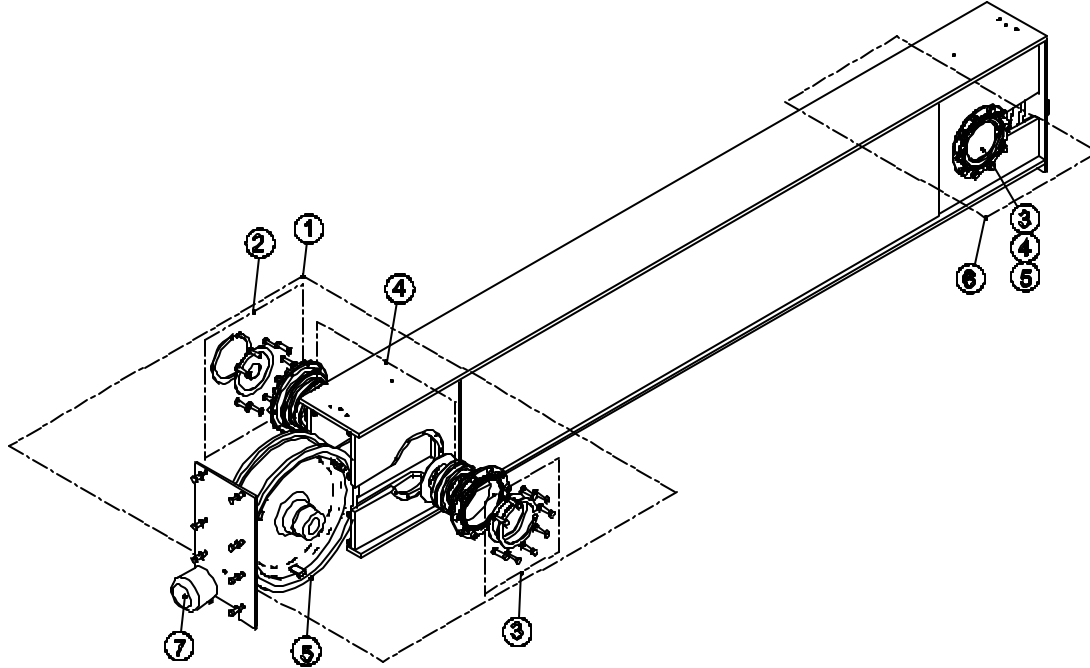
R&M Materials Handling, Inc.
4501 Gateway Boulevard
Springfield, Ohio 45502
☎ : (937) 328-5100
FAX: (937) 325-5319

7	3000001834	BUFFER 1: Buffer type = P	2
7	3000001835	BUFFER 1: Buffer type = I	2
7	3000001836	BUFFER 1: Buffer type = S	2



R&M Materials Handling, Inc.
 4501 Gateway Boulevard
 Springfield, Ohio 45502
 ☎ : (937) 328-5100
 FAX: (937) 325-5319

6.6 RT32



005747_1

Pos.	Item Code	From	To	Description	Pcs
1	3000001760			WHEEL SET; DRIVE 1: Wheel groove = 55	1
1	3000001761			WHEEL SET; DRIVE 1: Wheel groove = 60	1
1	3000001762			WHEEL SET; DRIVE 1: Wheel groove = 65	1
1	3000001763			WHEEL SET; DRIVE 1: Wheel groove = 70	1
1	3000001764			WHEEL SET; DRIVE 1: Wheel groove = 75	1
1	3000001765			WHEEL SET; DRIVE 1: Wheel groove = 80	1
1	3000001766			WHEEL SET; DRIVE 1: Wheel groove = 85	1
1	3000001767			WHEEL SET; DRIVE 1: Wheel groove = 90	1
1	3000001768			WHEEL SET; DRIVE 1: Wheel groove = 95	1
1	3000001769			WHEEL SET; DRIVE 1: Wheel groove = 100	1
2	3000001758			HARDWARE SET	1
3	3000001757			HARDWARE SET	3
4	3000001759			BEARING SET	2
5	-			WHEEL 1: Wheel groove = 55	



R&M Materials Handling, Inc.
 4501 Gateway Boulevard
 Springfield, Ohio 45502
 ☎ : (937) 328-5100
 FAX: (937) 325-5319

5	-	WHEEL 1: Wheel groove = 60	
5	-	WHEEL 1: Wheel groove = 65	
5	-	WHEEL 1: Wheel groove = 70	
5	-	WHEEL 1: Wheel groove = 75	
5	-	WHEEL 1: Wheel groove = 80	
5	-	WHEEL 1: Wheel groove = 85	
5	-	WHEEL 1: Wheel groove = 90	
5	-	WHEEL 1: Wheel groove = 95	
5	-	WHEEL 1: Wheel groove = 100	
6	3000001770	WHEEL SET; IDLER 1: Wheel groove = 55	1
6	3000001771	WHEEL SET; IDLER 1: Wheel groove = 60	1
6	3000001772	WHEEL SET; IDLER 1: Wheel groove = 65	1
6	3000001773	WHEEL SET; IDLER 1: Wheel groove = 70	1
6	3000001774	WHEEL SET; IDLER 1: Wheel groove = 75	1
6	3000001775	WHEEL SET; IDLER 1: Wheel groove = 80	1
6	3000001776	WHEEL SET; IDLER 1: Wheel groove = 85	1
6	3000001777	WHEEL SET; IDLER 1: Wheel groove = 90	1
6	3000001778	WHEEL SET; IDLER 1: Wheel groove = 95	1
6	3000001779	WHEEL SET; IDLER 1: Wheel groove = 100	1
7	3000001140	BUFFER 1: Buffer type = B	2
7	3000001837	BUFFER 1: Buffer type = C	2
7	3000001838	BUFFER 1: Buffer type = D	2
7	3000001830	BUFFER 1: Buffer type = E	2
7	3000001831	BUFFER 1: Buffer type = M	2
7	3000001832	BUFFER 1: Buffer type = F	2
7	3000001833	BUFFER 1: Buffer type = H	2



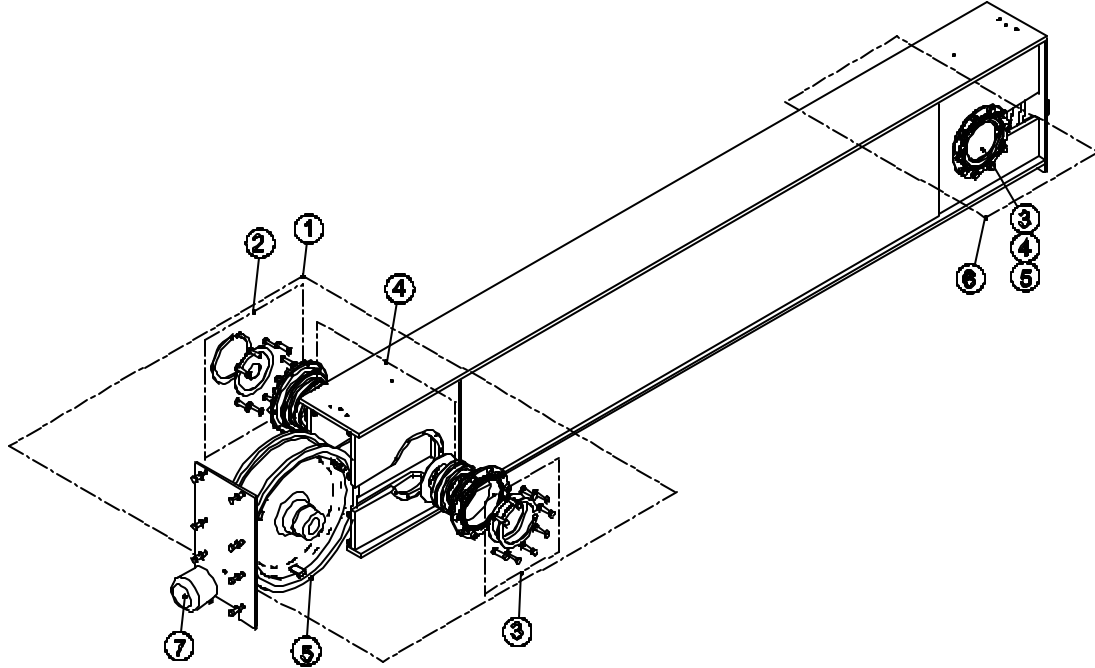
R&M Materials Handling, Inc.
4501 Gateway Boulevard
Springfield, Ohio 45502
☎ : (937) 328-5100
FAX: (937) 325-5319

7	3000001834	BUFFER 1: Buffer type = P	2
7	3000001835	BUFFER 1: Buffer type = I	2
7	3000001836	BUFFER 1: Buffer type = S	2



R&M Materials Handling, Inc.
 4501 Gateway Boulevard
 Springfield, Ohio 45502
 ☎ : (937) 328-5100
 FAX: (937) 325-5319

6.7 RT50



005747_1

Pos.	Item Code	From	To	Description	Pcs
1	3000001780			WHEEL SET; DRIVE 1: Wheel groove = 55	1
1	3000001781			WHEEL SET; DRIVE 1: Wheel groove = 60	1
1	3000001782			WHEEL SET; DRIVE 1: Wheel groove = 65	1
1	3000001783			WHEEL SET; DRIVE 1: Wheel groove = 70	1
1	3000001784			WHEEL SET; DRIVE 1: Wheel groove = 75	1
1	3000001785			WHEEL SET; DRIVE 1: Wheel groove = 80	1
1	3000001786			WHEEL SET; DRIVE 1: Wheel groove = 85	1
1	3000001787			WHEEL SET; DRIVE 1: Wheel groove = 90	1
1	3000001788			WHEEL SET; DRIVE 1: Wheel groove = 95	1
1	3000001789			WHEEL SET; DRIVE 1: Wheel groove = 100	1
2	3000001803			HARDWARE SET	1
3	3000001800			HARDWARE SET	3
4	3000001805			BEARING SET	2
5	-			WHEEL 1: Wheel groove = 85	



R&M Materials Handling, Inc.
4501 Gateway Boulevard
Springfield, Ohio 45502
☎ : (937) 328-5100
FAX: (937) 325-5319

5	-	WHEEL 1: Wheel groove = 80	
5	-	WHEEL 1: Wheel groove = 55	
5	-	WHEEL 1: Wheel groove = 60	
5	-	WHEEL 1: Wheel groove = 65	
5	-	WHEEL 1: Wheel groove = 70	
5	-	WHEEL 1: Wheel groove = 75	
5	-	WHEEL 1: Wheel groove = 90	
5	-	WHEEL 1: Wheel groove = 95	
5	-	WHEEL 1: Wheel groove = 100	
6	3000001790	WHEEL SET; IDLER 1: Wheel groove = 55	1
6	3000001791	WHEEL SET; IDLER 1: Wheel groove = 60	1
6	3000001792	WHEEL SET; IDLER 1: Wheel groove = 65	1
6	3000001793	WHEEL SET; IDLER 1: Wheel groove = 70	1
6	3000001794	WHEEL SET; IDLER 1: Wheel groove = 75	1
6	3000001795	WHEEL SET; IDLER 1: Wheel groove = 80	1
6	3000001796	WHEEL SET; IDLER 1: Wheel groove = 85	1
6	3000001797	WHEEL SET; IDLER 1: Wheel groove = 90	1
6	3000001798	WHEEL SET; IDLER 1: Wheel groove = 95	1
6	3000001799	WHEEL SET; IDLER 1: Wheel groove = 100	1
7	3000001140	BUFFER 1: Buffer type = B	2
7	3000001837	BUFFER 1: Buffer type = C	2
7	3000001838	BUFFER 1: Buffer type = D	2
7	3000001830	BUFFER 1: Buffer type = E	2
7	3000001831	BUFFER 1: Buffer type = M	2
7	3000001832	BUFFER 1: Buffer type = F	2
7	3000001833	BUFFER 1: Buffer type = H	2



R&M Materials Handling, Inc.
4501 Gateway Boulevard
Springfield, Ohio 45502
☎ : (937) 328-5100
FAX: (937) 325-5319

7	3000001834	BUFFER 1: Buffer type = P	2
7	3000001835	BUFFER 1: Buffer type = I	2
7	3000001836	BUFFER 1: Buffer type = S	2