



R&M Materials Handling, Inc.
4501 Gateway Boulevard
Springfield, Ohio 45502
P.: (937) 328-5100
FAX: (937) 325-5319

4 TRANSMITTER

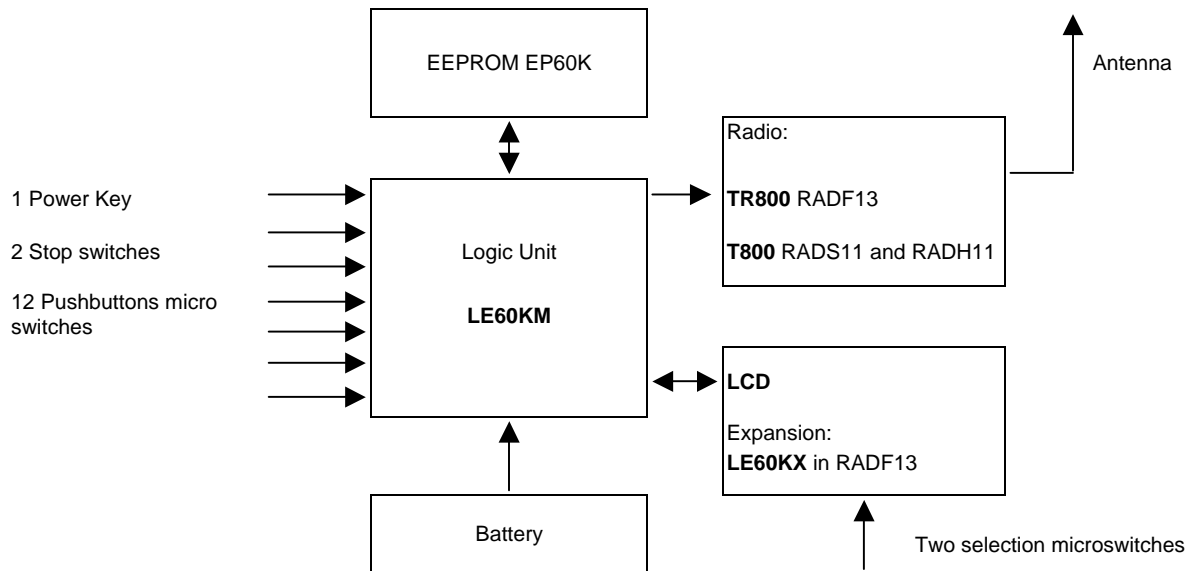
4.1 Transmitter summary

Transmitters RAD-TS and RAD-TH contains the following elements:

- Power ON key-switch, Start Pushbutton, Stop pushbutton and 4 or 6 pieces 2-steps Pushbuttons.
- 4.8V 700 mAh battery.
- Microprocessor driven logic, circuit LE60KM.
- Removable EEPROM memory module EP60K.
- Synthesised radio transmitter T800
- Antenna.

Transmitter RAD-TF also includes:

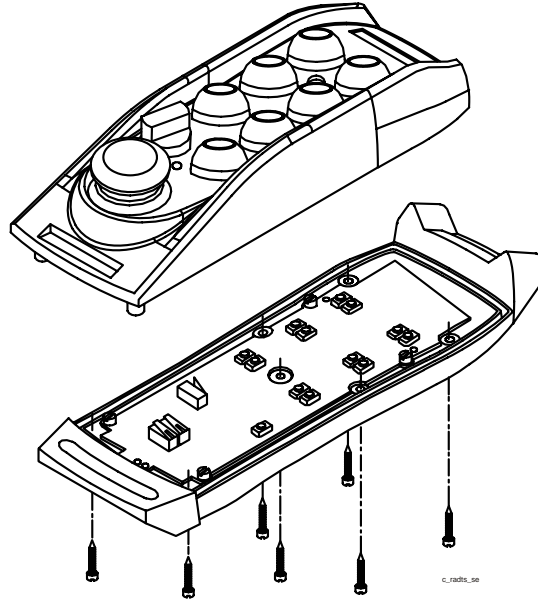
- Hoist Selector switch and LCD display.
- Expansion unit, circuit LE60KX with LCD and two selector switches.
- Synthesised radio transceiver TR800 instead of transmitter T800.





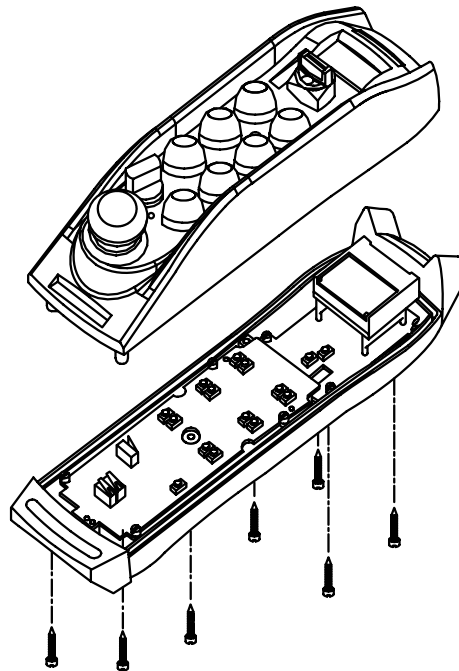
R&M Materials Handling, Inc.
4501 Gateway Boulevard
Springfield, Ohio 45502
P.: (937) 328-5100
FAX: (937) 325-5319

4.2 Exploded RAD-TS Transmitter



Make sure the POWER ON SWITCH is in OFF (0) position when mounting. Otherwise the power switch could be damaged.

4.3 Exploded RAD-TF Transmitter

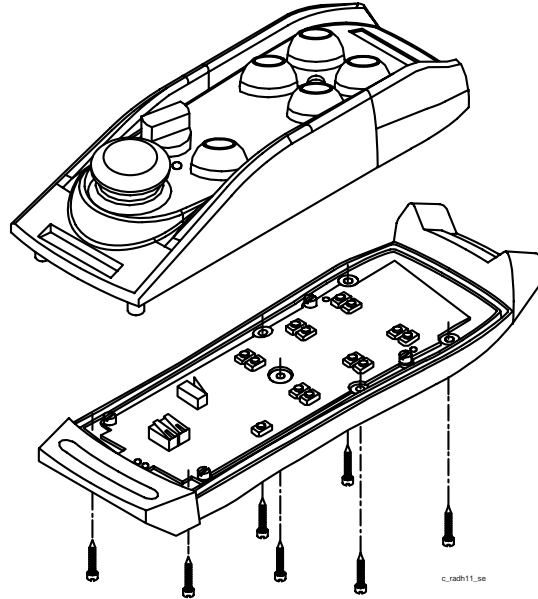


Make sure the POWER ON SWITCH is in OFF (0) position when mounting. Otherwise the power switch could be damaged.

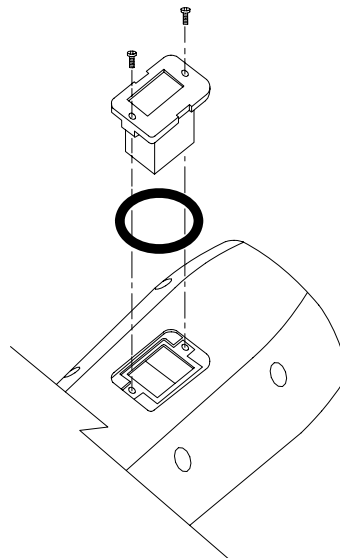


R&M Materials Handling, Inc.
4501 Gateway Boulevard
Springfield, Ohio 45502
P.: (937) 328-5100
FAX: (937) 325-5319

4.4 Exploded RAD-TH Transmitter



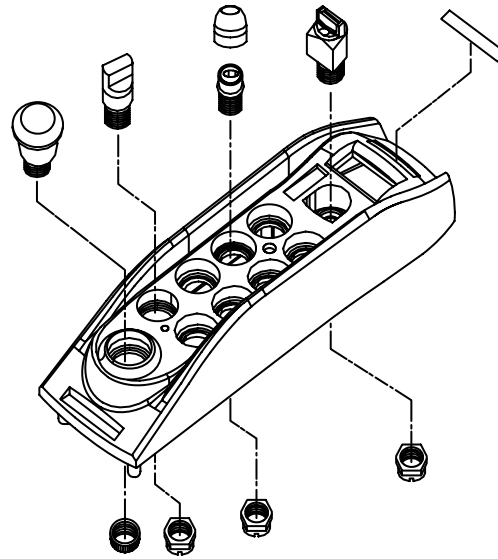
Make sure the POWER ON SWITCH is in OFF (0) position when mounting. Otherwise the power switch could be damaged.



RAD-TS, RAD-TF and RAD-TH bottom side. Extracting EEPROM module.



R&M Materials Handling, Inc.
4501 Gateway Boulevard
Springfield, Ohio 45502
P.: (937) 328-5100
FAX: (937) 325-5319



Explosion of mechanisms in RAD-TF upper cover