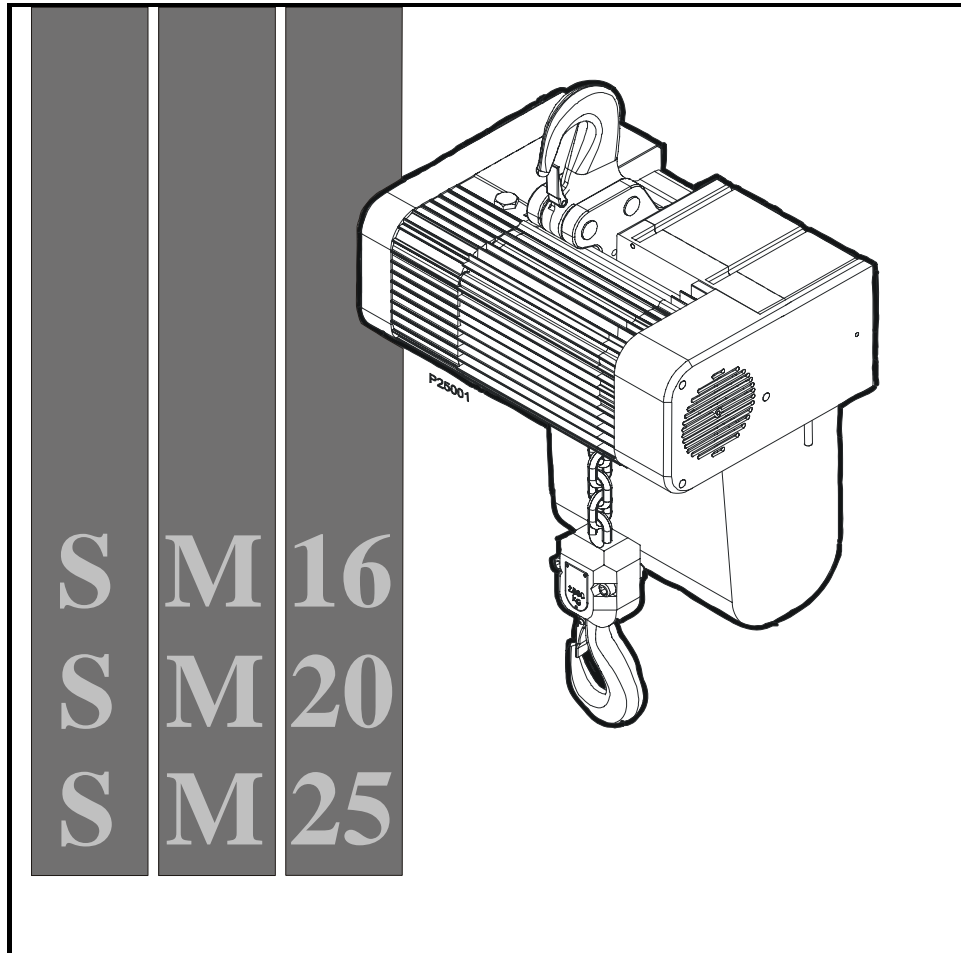




STAGEMAKER®

SM16 / 20 / 25 CONCERT ELECTRIC CHAIN HOIST



INSTALLATION & MAINTENANCE INSTRUCTIONS

JOB NO. : _____

SERIAL NO. : _____

(RECORD HOIST SERIAL NUMBER FOR FUTURE REFERENCE)



R&M Materials Handling, Inc
Springfield, Ohio USA
☎: 800 955-9967
www.rmhoist.com

STAGEMAKER[®] **COMPACT Concert Hoist**
SM16-20-25 Installation & Maintenance Manual
June 2006

LEAVE THIS PAGE BLANK



TABLE OF CONTENTS

1	INTRODUCTION.....	1
1.1	Contact Information	1
1.2	Warranty.....	1
1.3	Disclaimer.....	1
1.4	Safety	2
1.5	Placards and Instructions	4
2	INSTALLATION.....	5
2.1	General.....	5
2.2	Chain Container Installation	5
2.3	Lubrication.....	5
2.4	Mounting.....	6
2.5	Load Hook Throat Opening	6
2.6	Electrical Connection	6
2.7	Three Phase Power Connections.....	7
3	INITIAL START-UP	9
3.1	General.....	9
3.2	Correcting the Direction of Hook Travel	9
3.3	Operational Checks – No Load	9
3.4	Operational Checks – With Load.....	10
4	HOIST OPERATION	11
5	MAINTENANCE	13
5.1	Construction	13
5.2	Hoist Motor and Brake Assembly	14
5.3	Torque Limiter (Refer to Figure 5.4).....	18
5.4	Load Chain.....	19
5.5	Maintenance Inspection	19
5.6	Load Chain Specifications (see Figure 5.5)	21
5.7	Removing the Load Chain.....	21
5.8	Installing the Load Chain.....	22
5.9	Fall Stop Assembly (Refer to Figure 5.8)	23
5.10	Chain Container	24
5.11	Upper and Lower Travel Safety Limit Switch	25
5.12	Upper and Lower Rotary Travel Limit Switch	25
5.13	Hooks	26
5.14	Hook Inspection	27
5.15	Hook Dimensions	27
5.16	Top Hook.....	28
5.17	Controls.....	29
5.18	Two Speed – Three Phase – 208 / 230 / 460 Volt – Power Circuit.....	31
5.19	Two Speed – Three Phase – 208 / 230 / 460 Volt – Control Circuit.....	33
5.20	Two Speed – Three Phase – 208 / 230 / 460 Volt – Push Button.....	34
5.21	Two Speed – Three Phase – 575 Volt – Power Circuit.....	35
5.22	Two Speed – Three Phase – 575 Volt – Control Circuit.....	36
5.23	Two Speed – Three Phase – 575 Volt – Push Button.....	37
6	PREVENTATIVE MAINTENANCE	38
6.1	Maintenance and Inspection Table	38



6.2	Lubrication.....	39
6.3	Recommended Technical Support for Various spare parts.....	40
6.4	Screw Tightening Torque (lb-ft) Specification	40
6.5	Troubleshooting	41
7	PARTS ILLUSTRATIONS	43
7.1	Basic Hoist Assembly.....	43
7.2	Hoist Gearbox Components	45
7.3	C16 / C20 / C25 Hoist Motor & Brake Assembly.....	47
7.4	Lifting Assembly – C16 Only	49
7.5	Lifting Assembly – C20/25 Only	51
7.6	C16 / C20 / C25 Electrical Control Assembly.....	53
7.7	Push Button Assembly –Vertical Pairs of Buttons.....	55