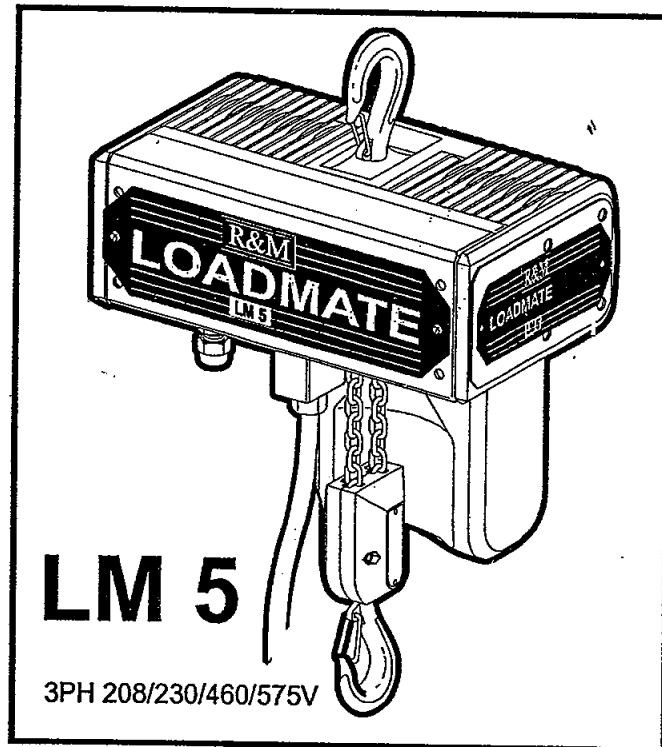




R&M LOADMATE CHAIN HOIST



INSTALLATION, OPERATION AND MAINTENANCE INSTRUCTIONS

JOB NO. : _____

SERIAL NO. : _____

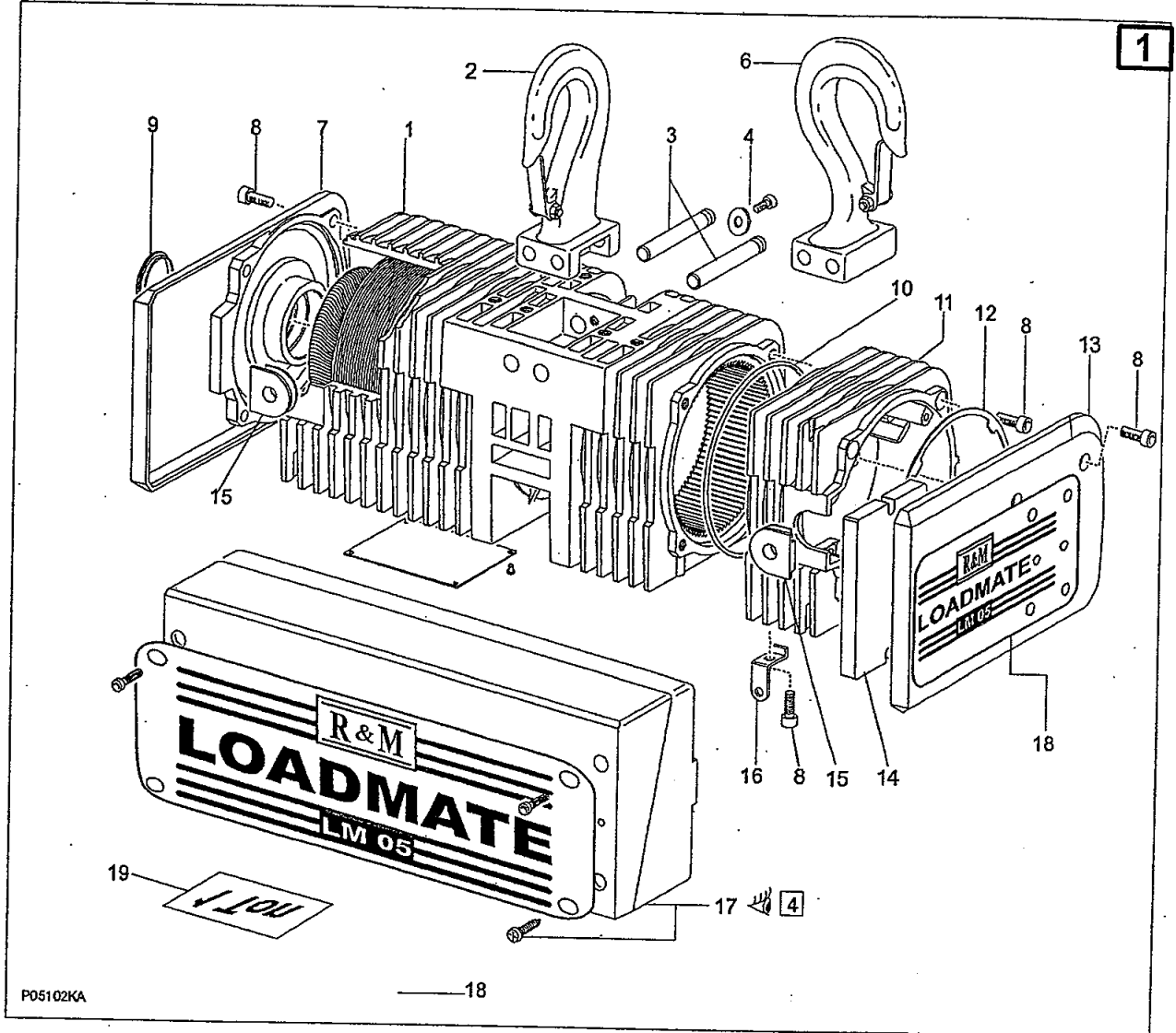
(RECORD HOIST SERIAL NUMBER FOR FUTURE REFERENCE)



Index of Exploded Illustrations and Parts Lists

HOIST BODY.....	2
GEAR MECHANISM & VERSION 1 BRAKE	4
GEAR MECHANISM & VERSION 2A BRAKE.....	6
GEAR MECHANISM & VERSION 2B BRAKE.....	8
LIFTING ASSEMBLY.....	10
CONTROLS.....	12
PUSHBUTTON.....	14
UPPER & LOWER LIMIT SWITCH.....	16

Hoist Body





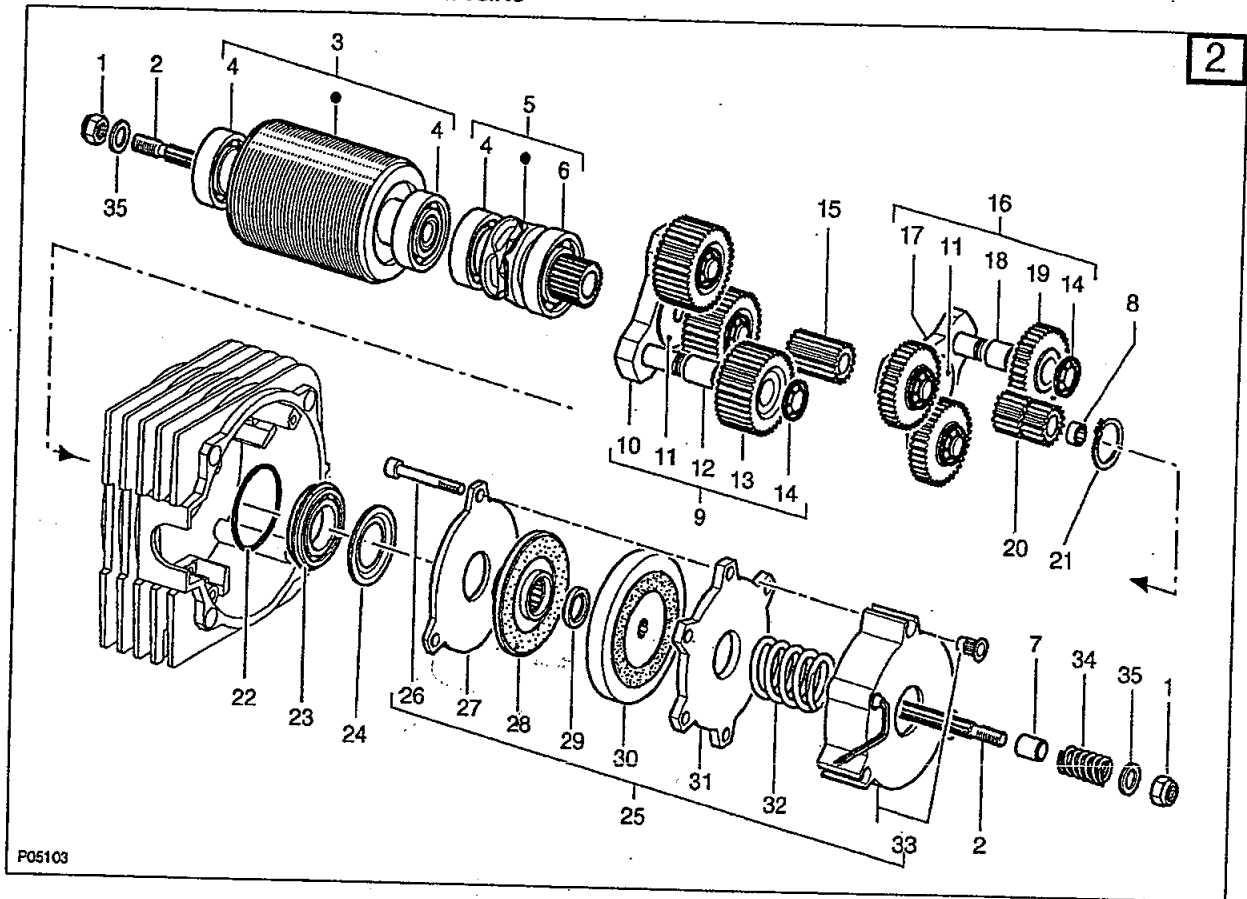
R&M Materials Handling, Inc
 Springfield, Ohio USA
 ☎: 800 955-9967
 web: www.rmhoist.com

LoadMate Chain Hoist
 LM5 Spare Parts
 Revision 3

Hoist Body

Item	Part Number	Description	Comments	Qty
1		Hoist body		1
		Stator		
	2229943	Trolley coupling set-perpend. push	parallel for TDU	1
	2229942	Trolley coupling set-parallel push	perpend. for TDU	1
2	2219996	Suspension hook set	Perpendicular	1
3		Dowel pin		2
4		M8 Screw		1
6	2219995	Suspension hook set	Parallel	1
	2219961	Motor endcap & hardware set		1
7		Motor endcap		1
8		M6 Screw		13
9		Cap		1
10	8380202	O-ring 2 x 120-NB70		1
11	2210004	Brake end cap		1
12	2218002	Seal ring		1
13	2219962	Brake endcap with counterweight		1
15	2219960	Cable gromet		2
16	2218004	Suspension kit for pendant		1
17		Control enclosure		1
18	2406879001	Body branding label set		1
19	2213309001	Self adhesive load plate - 1/4 ton		1
19	2213309002	Self adhesive load plate - 1/2 ton		1
19	2213309003	Self adhesive load plate - 1 ton		1
19	2213309007	Self adhesive load plate - 250 kg		1
19	2213309008	Self adhesive load plate - 500 kg		1
19	2213309009	Self adhesive load plate - 1000kg		1

Gear Mechanism & Version 1 Brake



Version 1 brake is not interchangeable with Version 2 brake. Version 1 brake is obsolete, but selected spare parts are available.



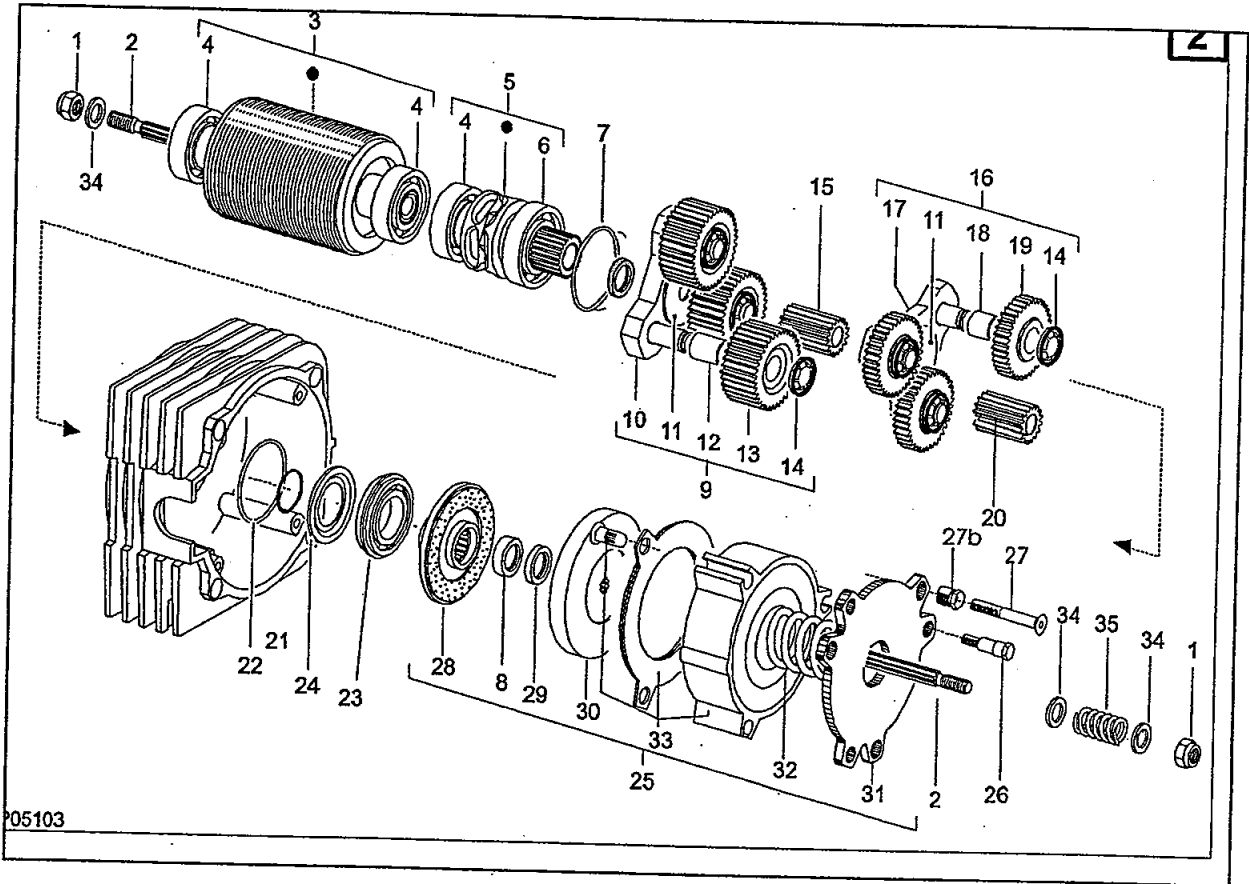
R&M Materials Handling, Inc
 Springfield, Ohio USA
 ☎: 800 955-9967
 web: www.rmhoist.com

LoadMate Chain Hoist
 LM5 Spare Parts
 Revision 3

Gear Mechanism & Version 1 Brake

Item	Part Number	Description	Comments	Qty
1		Self locking nut		2
2	2211500	Gear input shaft set		1
3	2215000	Rotor assembly	Two speed	1
3	2215001	Rotor assembly	Single speed	1
4		Bearing		1
5	2214001	Chain sprocket set assembled		1
	2219983	Sprocket equipment		1
6		Bearing		1
7		Bushing		1
8		Bushing		1
9	2210500	Planetary gear assembly, 2nd step	16 fpm	1
9	2210520	Planetary gear assembly, 2nd step	32 fpm	1
10		Planet carrier		1
11		Brass washer		
12		Self lubricating bushing		3
13		Planet wheel		3
14		Retaining ring		6
15	2210503	Pinion 2nd step		1
16	2210510	Planetary gear assembly, 1st step		1
17		Planet carrier		1
18		Self lubricating bushing		3
19		Planet wheel		3
20	2210503	Pinion 1st step		1
	2219982	Metal sealing ring set	=22+23+24	1
21		Circlip		1
22		O-ring		1
23		Bearing		1
24		Metal sealing ring set		1
25	2211000	Complete brake & slip clutch assy	380-480V	1
25	2211012	Complete brake & slip clutch assy	200-240V	1
25	2211013	Complete brake & slip clutch assy	500-575V	1
26		Screw		3
27		Friction and anchor disk		1
28	2211018	Slip clutch friction disk assembly		1
29		Lipseal		1
30		Brake pressure disk		1
31		Brake cap		1
32		Brake spring		1
33		Coil assembly		1
	2211014	Slip clutch spring set (1Bm)	=1+34+34+34+37+35+1	1
	2211015	Slip clutch spring set (2m)	=1+34+34+34+37+35+1	1
34		Limiter spring		1
34		Limiter spring		1
35		Washer		1

Gear Mechanism & Version 2a Brake



Version 2a brake has been replaced by Version 2b brake, which are interchangeable. Version 2 brake is not interchangeable with Version 1 brake.



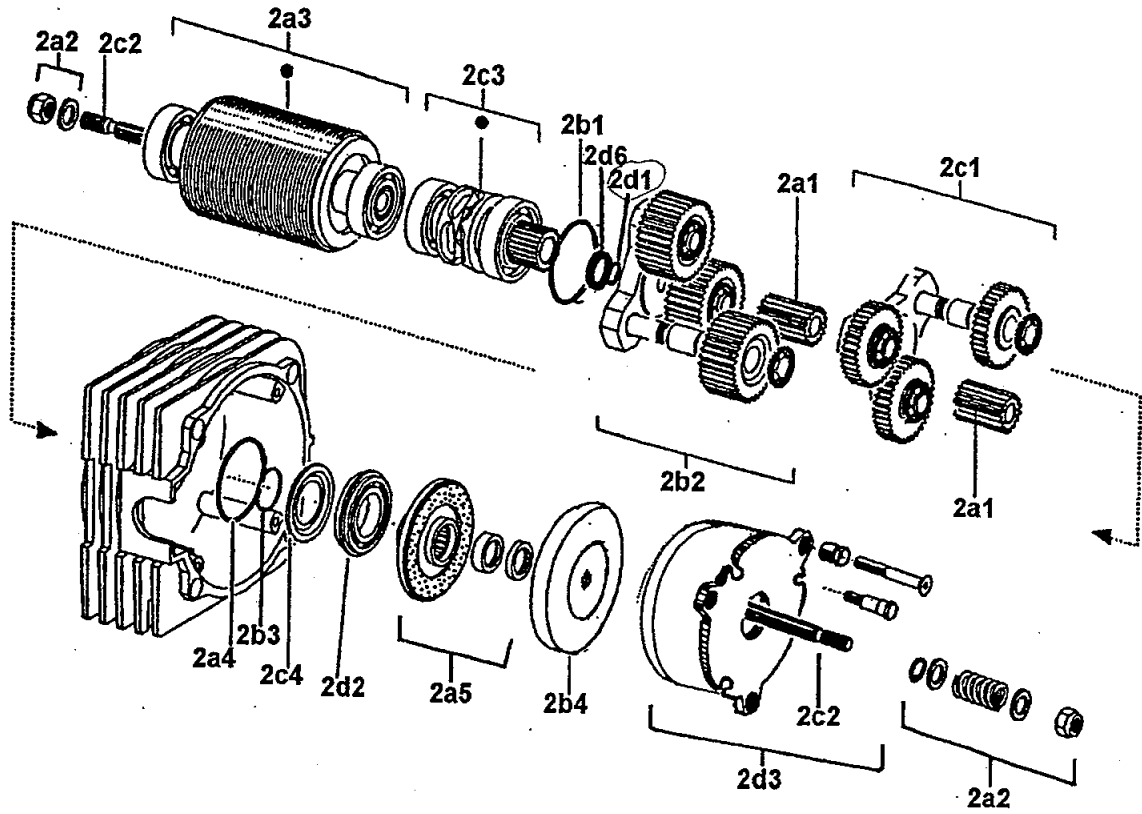
R&M Materials Handling, Inc
 Springfield, Ohio USA
 ☎: 800 955-9967
 web: www.rmhoist.com

LoadMate Chain Hoist
 LM5 Spare Parts
 Revision 3

Gear Mechanism & Version 2a Brake

Item	Part Number	Description	Comments	Qty
1		Self locking nut		2
2	2211501	Gear input shaft set		1
3	2215000	Rotor assembly	Two speed	1
3	2215001	Rotor assembly	Single speed	1
4		Bearing		1
5	2214001	Chain sprocket set assembled		1
	2219983	Sprocket equipment		1
6		Bearing		1
7		Bushing		1
8		Bushing		1
9	2210500	Planetary gear assembly, 2nd step	16 fpm	1
9	2210520	Planetary gear assembly, 2nd step	32 fpm	1
10		Planet carrier		1
11		Brass washer		
12		Self lubricating bushing		3
13		Planet wheel		3
14		Retaining ring		6
15	2210503	Pinion 2nd step		1
16	2210510	Planetary gear assembly, 1st step		1
17		Planet carrier		1
18		Self lubricating bushing		3
19		Planet wheel		3
20	2210503	Pinion 1st step		1
	2219984	Metal sealing ring set	=21+22+23+24	1
21		Circlip		1
22		O-ring		1
23		Bearing		1
24		Metal sealing ring set		1
25	2211070	Complete brake & slip clutch assy	380-480V	1
25	2211071	Complete brake & slip clutch assy	200-240V	1
25		Complete brake & slip clutch assy	500-575V	1
26		Screw		3
27		Screw		3
27b		Adjustment nut		3
28	2211018	Slip clutch friction disk assembly	=8+28+29	1
29		Lipseal		1
30	2211020	Brake pressure disk		1
31	2211026	Anchor disk		1
32	2211021	Brake spring		1
33	2211023	Coil assembly 190Vdc	200-240V	1
33	2211024	Coil assembly 100Vdc	380-480V	1
33	2211025	Coil assembly 240Vdc	500-600V	1
	2211016	Slip clutch spring set	=1+34+34+34+37+35+1	1
34		Washer		3
35		Limiter spring		1
36	2211022	Friction disk		1

Gear Mechanism & Version 2b Brake





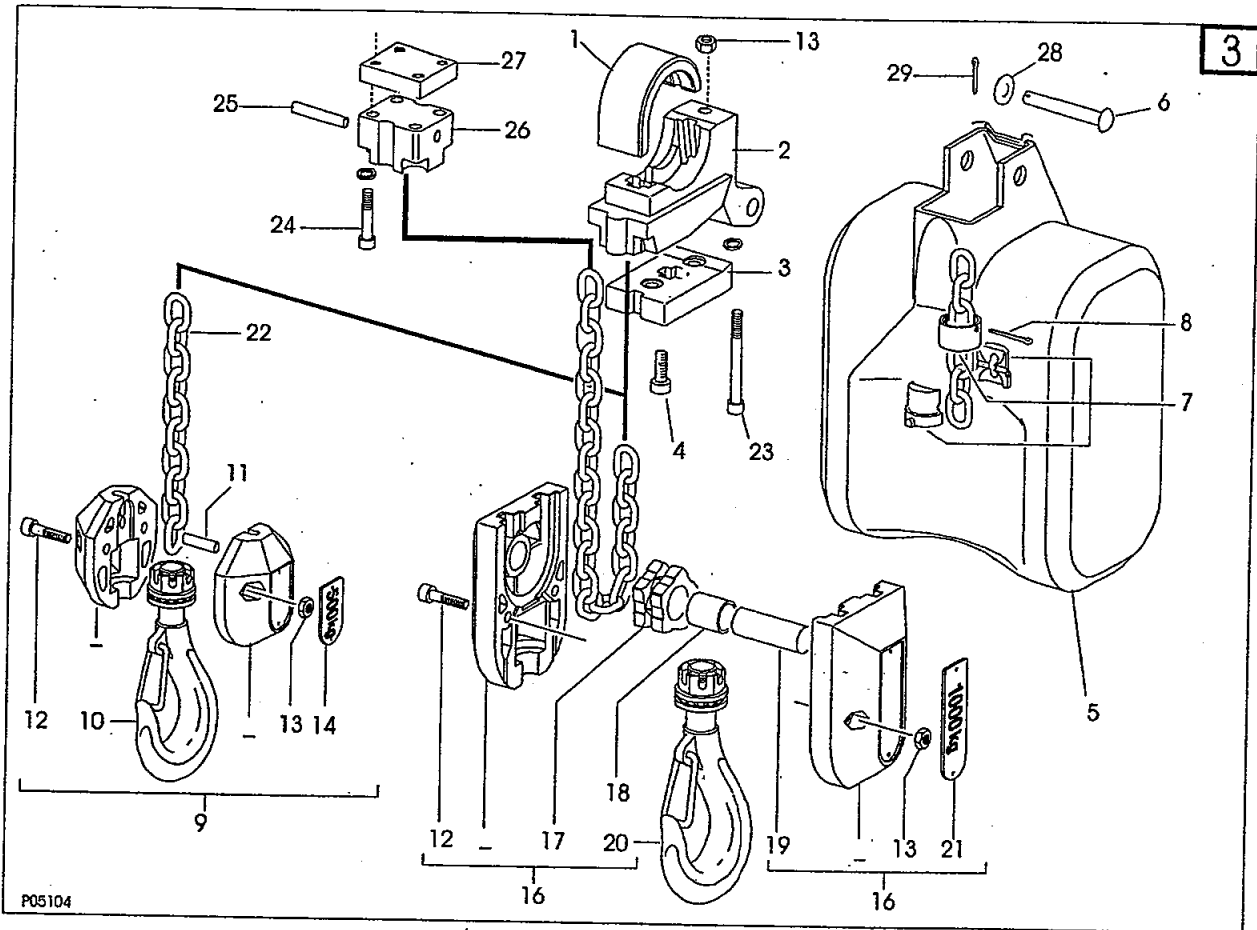
R&M Materials Handling, Inc
Springfield, Ohio USA
☎: 800 955-9967
web: www.rmhoist.com

LoadMate Chain Hoist
LM5 Spare Parts
Revision 3

Gear Mechanism & Brake Version 2b

Item	Part Number	Description	Comments	Qty
2a1	2210503	Pinion		1
2a2	2211016	Limiter spring set		1
2a3	2215000	2 speed rotor assembly	Two speed	1
2a3	2215001	1 speed rotor assembly-1800 rpm	Single speed	1
2a3	2215055	1 speed rotor assembly-3600 rpm	Single speed	1
2a4	8384702	O-ring 2 x 47-NB70		1
2a5	2211018	Clutch disc set-number 2		1
2b1	300077	Circlip 47 x 1.75		1
2b2	2210500	Planetary gear assy-2nd reduction	16 fpm	1
2b2	2210520	Planetary gear assy-2nd reduction	32 fpm	1
2b3	8262501	Retaining ring		1
2b4	2211020	Clutch disc set-number 1		1
2c1	2210510	Planetary gear assy-1st reduction		1
2c2	2211501	Gear input shaft		1
2c3	2214001	Chain sprocket assy		1
2c4	8182543	Metal seal ring		1
2d1	8381806	Lip seal		1
2d2	833706	Ball bearing		1
2d3	2211081	Coil assembly 190VDC	380-480V	1
2d3	2211080	Coil assembly 100VDC	200-240V	1
2d3	2211082	Coil assembly 240VDC	500-600V	1
2d6	8552528	Sprocket tube		1

Lifting Assembly





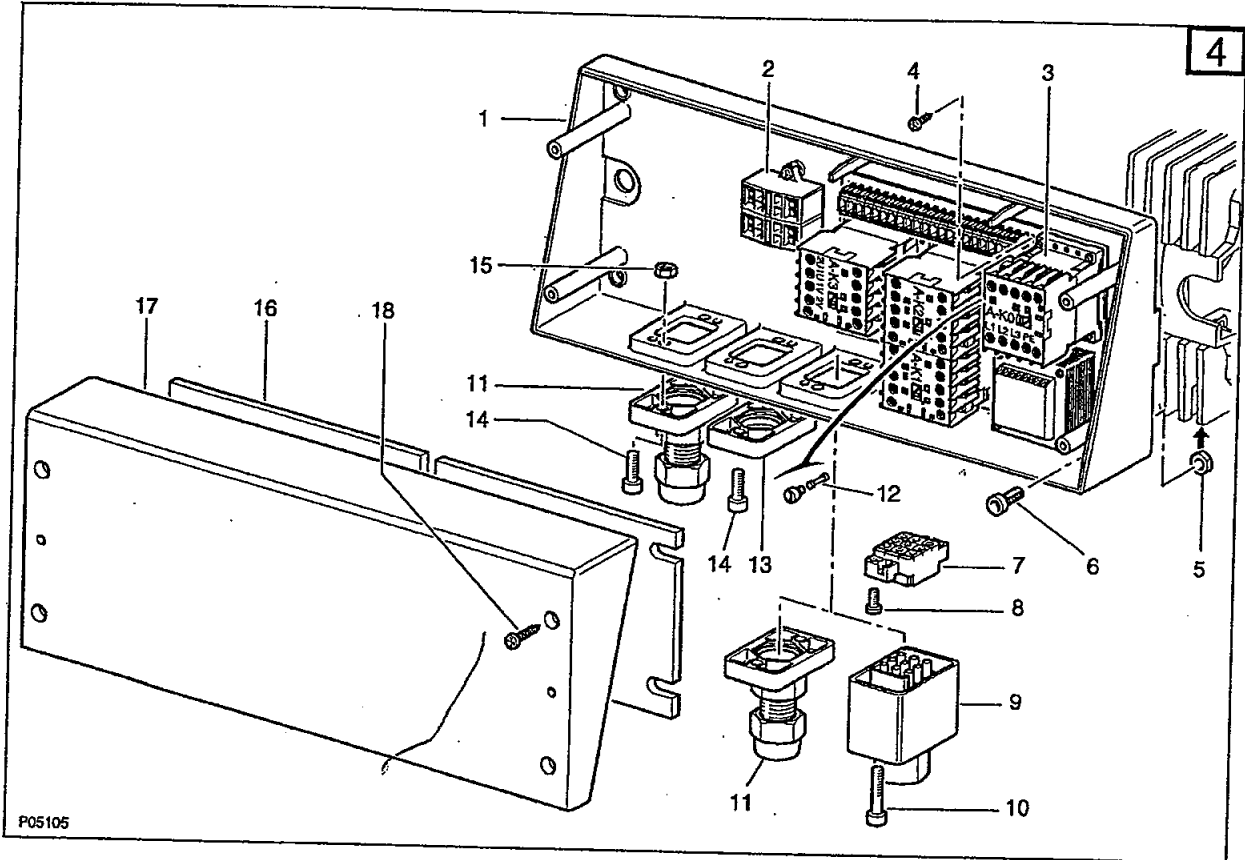
R&M Materials Handling, Inc
 Springfield, Ohio USA
 ☎: 800 955-9967
 web: www.rmhoist.com

LoadMate Chain Hoist
 LM5 Spare Parts
 Revision 3

Lifting Assembly

Item	Part Number	Description	Comments	Qty
1	2214011	Upper chain guide		1
2	2214014	Lower chain guide assy	=2+3+4+4+13+23	1
3	2214013	Rubber plate set		1
4		Screw		2
5	2219999	Chain bucket (25ft) & hardware	=5+6+28+29	1
5	2249985	Chain bucket (50ft) & hardware	=5+6+28+29	1
5	2249986	Chain bucket (75ft) & hardware	=5+6+28+29	1
5	2249987	Chain bucket (150ft) & hardware	=5+6+28+29	1
6		Suspension pin		1
7	2211050	Slack fall stop assembly	=8	1
8		Split pin		1
9	2219997	Hook block complete-1 fall	=10+11+12+13+14+15+16	1
10	2212011	Hook assembly-1 fall		1
10a	001512	Safety latch (1 fall)		1
11		Shaft		1
12		Screw		2
13		Self locking nut		2
14	2213308001	Self adhesive load plate - 1/4 ton	1 fall	2
14	2213308002	Self adhesive load plate - 1/2 ton	1 fall	2
14	2213308003	Self adhesive load plate - 1 ton	1 fall	2
14	2213308006	Self adhesive load plate - 1/8 ton	1 fall	2
14	2213308008	Self adhesive load plate - 250 kg	1 fall	2
14	2213308009	Self adhesive load plate - 500 kg	1 fall	2
14	2213308010	Self adhesive load plate - 1000 kg	1 fall	2
16	2219998	Hook block complete-2 fall		1
17	2214003	Idler sprocket assembly		1
18		Self lubricating bushing		1
19		Shaft		1
20	2217004	Hook assembly-2 fall.		1
20a	001515	Safety latch (2 fall).		1
21	2213308014	Self adhesive load plate - 1/2 ton	2 fall	2
21	2213308004	Self adhesive load plate - 1 ton	2 fall	2
21	2213308005	Self adhesive load plate - 2 ton	2 fall	2
21	2213308015	Self adhesive load plate - 500 kg	2 fall	2
21	2213308011	Self adhesive load plate - 1000 kg	2 fall	2
21	2213308012	Self adhesive load plate - 2000 kg	2 fall	2
22	2213500	Load chain 4.8 x 12.5		ar
23		Screw		1
	2211045	Chain fitting tooling		1
	2213523	Chain anchor assembly	=24+25+26+27	1
24		Screw + washer		4
25		Dowel		1
26		Chain anchor		1
27		Fixing plate		1
28		Washer		1
29		Split pin		1

Controls





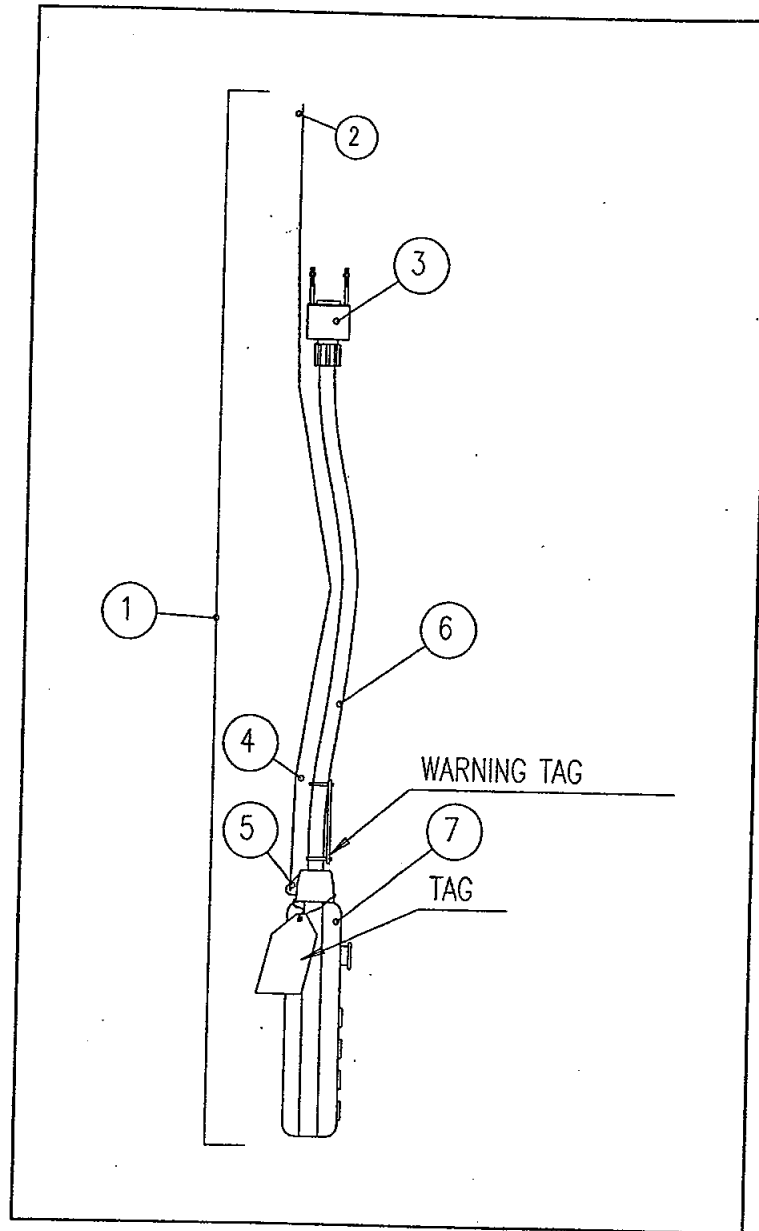
R&M Materials Handling, Inc
 Springfield, Ohio USA
 ☎: 800 955-9967
 web: www.rmhoist.com

LoadMate Chain Hoist
 LM5 Spare Parts
 Revision 3

Controls

Item	Part Number	Description	Comments	Qty
1	2219963	Control box base & hardware	=1+5+6	1
2	7383020	Ground PE terminal board		1
2	2219092	Hour counter		1
3	2213017	PC board 208/230/460V/60Hz/110V	Two speed	1
3	2213018	PC board 208/230/460V/60Hz/110V	Single speed	1
3	2213016	PC board 575V/60Hz/110V	Two speed	1
4		Screw		5
5		Stop nut		4
6		Screw		4
7	7285039	Female connector + wire harness	Pushbutton pendant	1
8	8090411	Plastic screw		2
	2249946	Plug set for trolley		1
	2249982	Plug set for power supply		1
9		Plug		1
10		Screw		2
11	2219808	Cable gland set 2249947		1
12	833130	Fuse		1
13a	2219814	Closing plate set		1
13		Closing plate		1
14		Screw		4
15		Nut		4
16		Counterweight		1
17	2213001	Control box cover, cwt. & screw	=16+17+18	1
18		Screw		4
	2218000	Pendant suspension set		1

Pushbutton





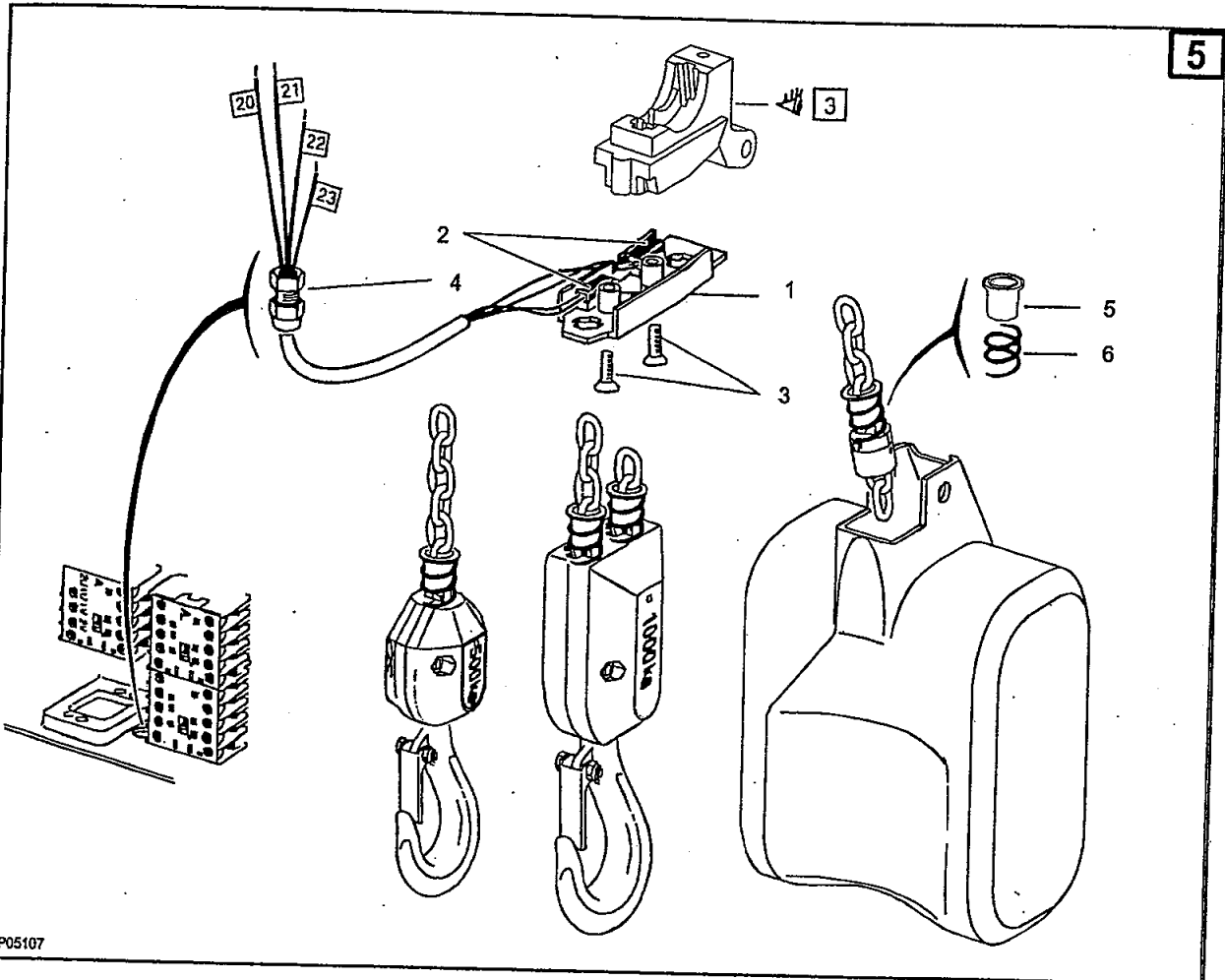
R&M Materials Handling, Inc
Springfield, Ohio USA
☎: 800 955-9967
web: www.rmhoist.com

LoadMate Chain Hoist
LM5 Spare Parts
Revision 3

Pushbutton

Item	Part Number	Description	Comments	Qty
1	2309673010	E-stop, SS Hoist pendant assy	10 ft hoist lift	1
1	2309673015	E-stop, SS Hoist pendant assy	15 ft hoist lift	1
1	2309673020	E-stop, SS Hoist pendant assy	20 ft hoist lift	1
1	2309674010	E-stop, TS Hoist pendant assy	10 ft hoist lift	1
1	2309674015	E-stop, TS Hoist pendant assy	15 ft hoist lift	1
1	2309674020	E-stop, TS Hoist pendant assy	20 ft hoist lift	1
1	2309675010	E-stop, SS Hoist, TS Trolley pendant	10 ft hoist lift	1
1	2309675015	E-stop, SS Hoist, TS Trolley pendant	15 ft hoist lift	1
1	2309675020	E-stop, SS Hoist, TS Trolley pendant	20 ft hoist lift	1
1	2309675010	E-stop, TS Hoist, TS Trolley pendant	10 ft hoist lift	1
1	2309675015	E-stop, TS Hoist, TS Trolley pendant	15 ft hoist lift	1
1	2309675020	E-stop, TS Hoist, TS Trolley pendant	20 ft hoist lift	1
2	2218000	Upper suspension kit		1
3	2219812	Plug kit		1
4	2212752001	Strain relief cable		1
5	2212753001	Suspension unit		1
6	RPC1612	Electrical cable		1
7	2212932011	E-stop, SS Hoist pushbutton assy		1
7	2212932012	E-stop, TS Hoist pushbutton assy		1
7	2212932032	E-stop, SS Hoist, TS Trolley pushbutton		1
7	2212932033	E-stop, TS Hoist, TS Trolley pushbutton		1

Upper & Lower Limit Switch



P05107

Item	Part Number	Description	Comments	Qty
	2213059	Complete limit switch	=1+2+3+4+5+6	1
1		Switch plate		1
2		Switch set		1
3		M8 x 25 screw		1
4		Cable gland		1
5	2219002	Spring plate	1 fall/2 fall	2/3
6	2219003	Spring	1 fall/2 fall	2/3