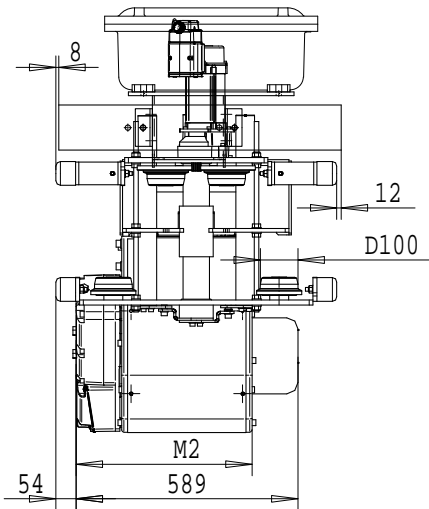
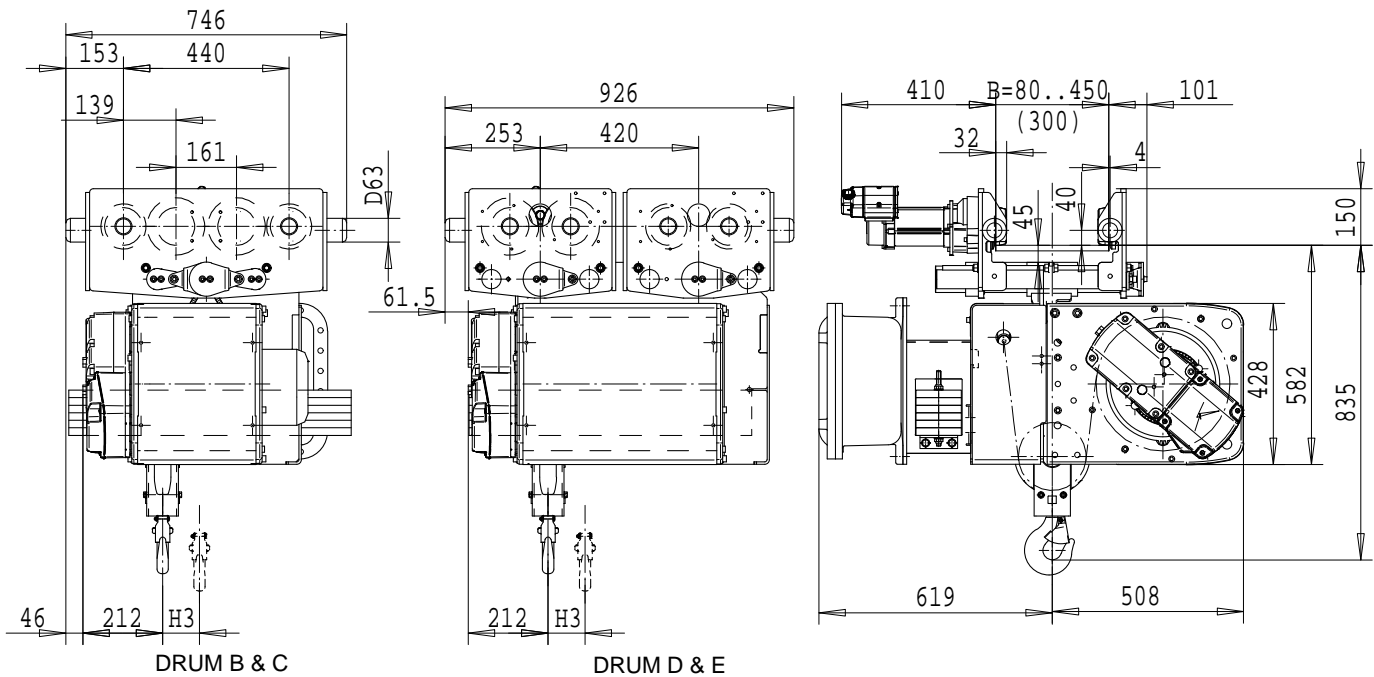


R&M SPACEMASTER *EX*

NORMAL HEADROOM, 2 PART SINGLE
SX4 EX 021...N0



SI-60Hz

Load (kg)	Class Fem/ISO	Hoisting speed (m/min)
1600	3m/M6	12/2
2000	3m/M6	12/2
2500	2m/M5	12/2

HOL (m)	Length code	M2 (mm)	H3 (mm)	Weight (kg)
12	B	467	98	325
18	C	567	147	345
24	D	667	198	405
30	E	787	258	425

Note: Weight calculated, when B=300mm