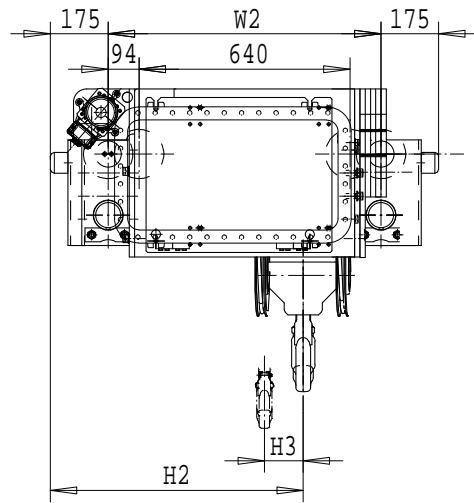
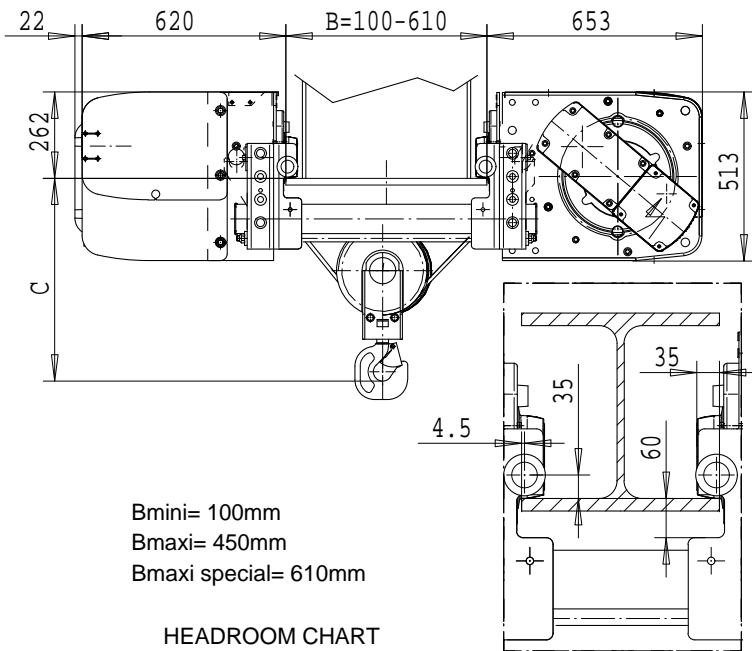
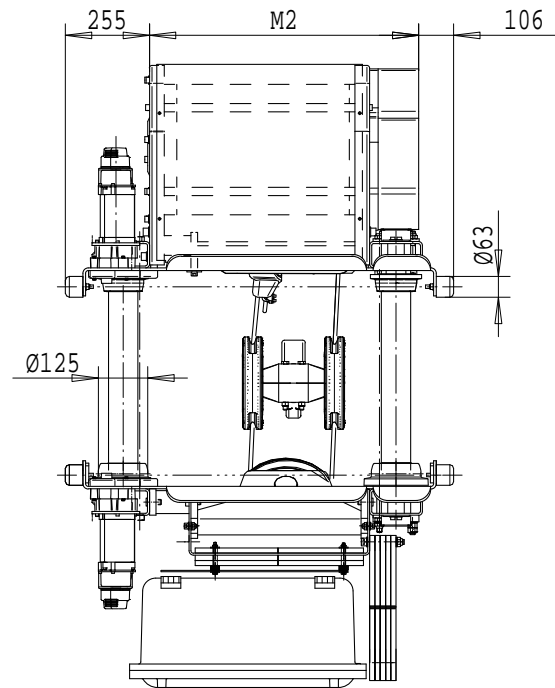
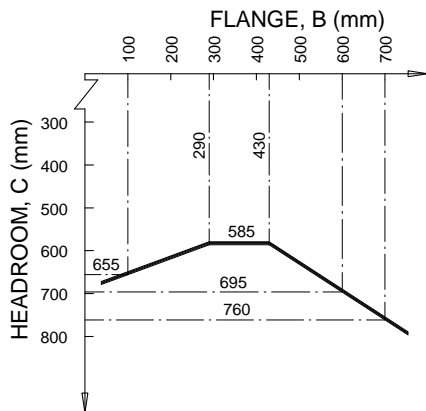


R&M SPACEMASTER *EX*

LOW HEADROOM, 4 PART SINGLE
SX5 EX 041...L0



HEADROOM CHART



SI-60Hz

Load (kg)	Class Fem/ISO	Hoisting speed (m/min)	
6300	3m/M6	6/1	9.5/1.6
8000	3m/M6	6/1	9.5/1.6
10000	2m/M5	6/1	9.5/1.6
+ weight (kg):		-	60

HOL (m)	Length code	M2 (mm)	H2 (mm)	H3 (mm)	W2 (mm)	Weight (kg)
9	D	697	569	88	708	588
12	E	817	767	118	828	680
16	F	967	917	156	978	730