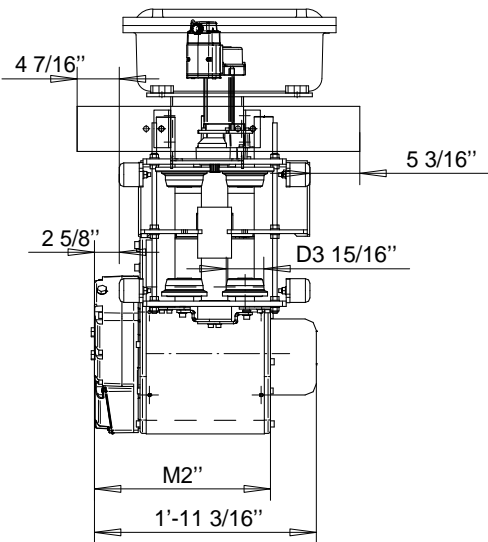
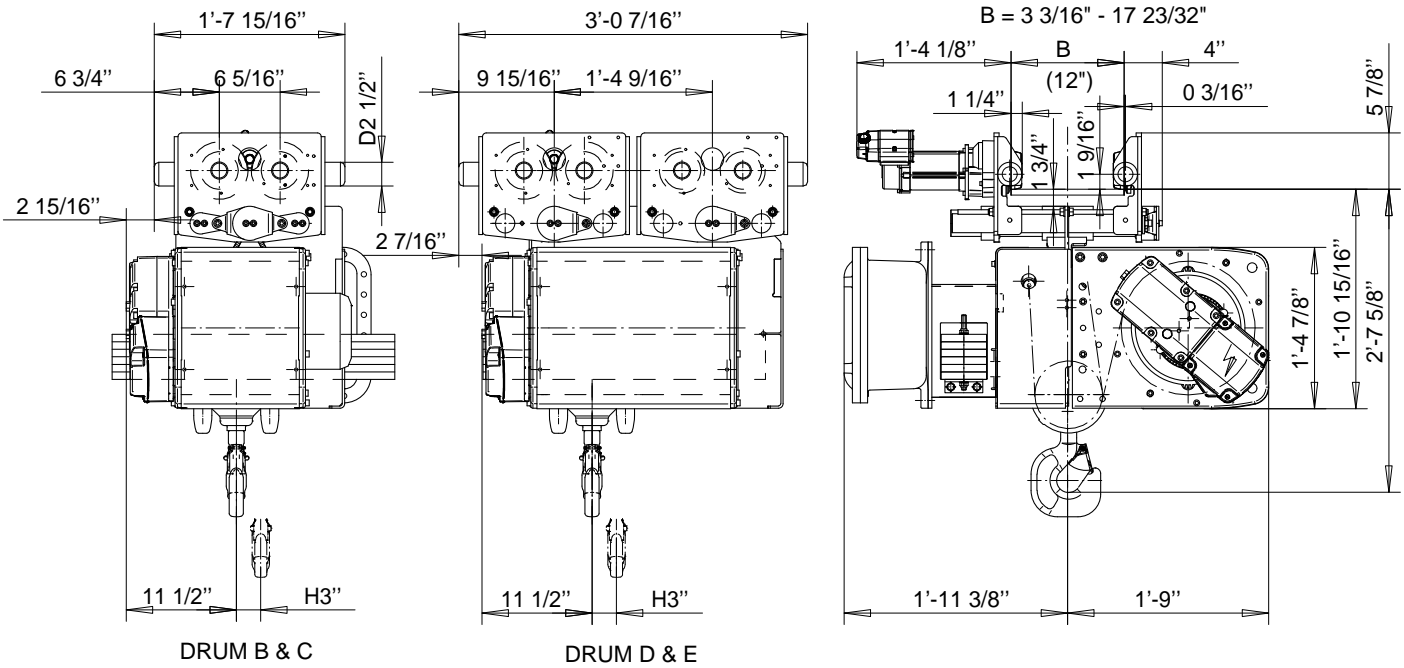


R&M SPACEMASTER EX

NORMAL HEADROOM, 4 PART SINGLE
SX4 EX 041...N0



US-60Hz

Load TON	Class ASME	Hoisting speed fpm
3	H4+	20/3.1
4	H4+	20/3.1
5	H4	20/3.1

HOL (ft-in)	Length code	M2 (in)	H3 (in)	Weight (lb)
19'-8"	B	18 $\frac{3}{8}$	1 $\frac{15}{16}$	728
29'-6"	C	22 $\frac{5}{16}$	2 $\frac{7}{8}$	772
39'-4"	D	26 $\frac{1}{4}$	3 $\frac{13}{16}$	904
49'-2"	E	31	4 $\frac{3}{4}$	948

Note: Weight calculated when B=12"