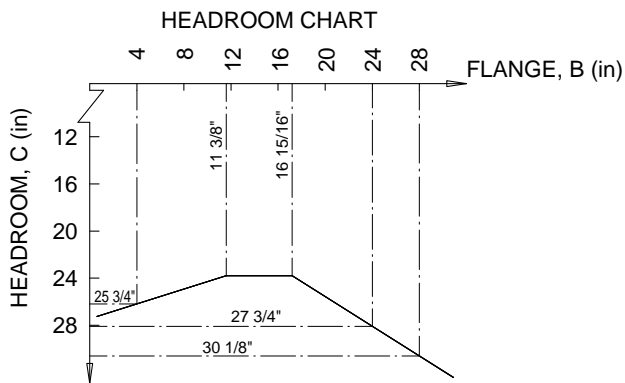
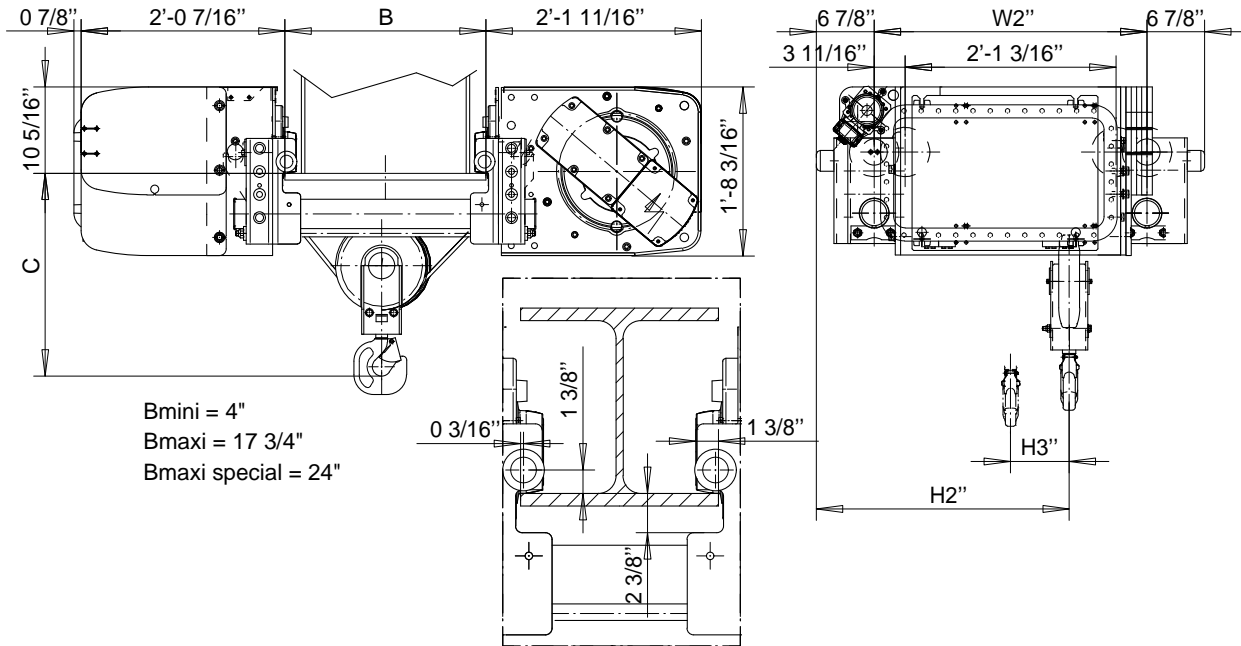
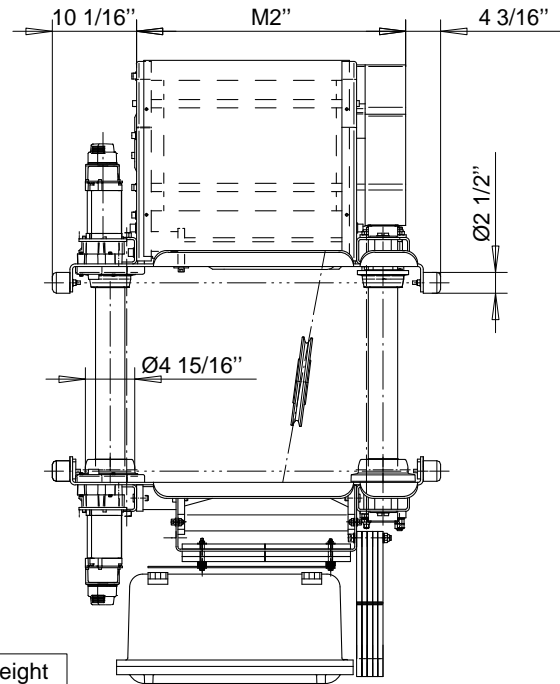


# R&M SPACEMASTER *EX*

LOW HEADROOM, 2 PART SINGLE  
SX5 EX 021...L0



US-60Hz



Load (TON)	Class ASME	Hoisting speed (fpm)	
4	H4+	40/6.7	60/9.8
5	H4	40/6.7	60/9.8
Additional weight (lb):		-	132

HOL (ft-in)	Length code	M2 (in)	H2 (in)	H3 (in)	W2 (in)	Weight (lb)
59'-0"	D	27 7/16	25 1/2	6 15/16	27 7/8	1365
78'-8"	E	32 3/16	30 3/16	9 1/4	32 9/16	1455
104'-11"	F	38 1/16	36 1/8	12 3/16	38 1/2	1565