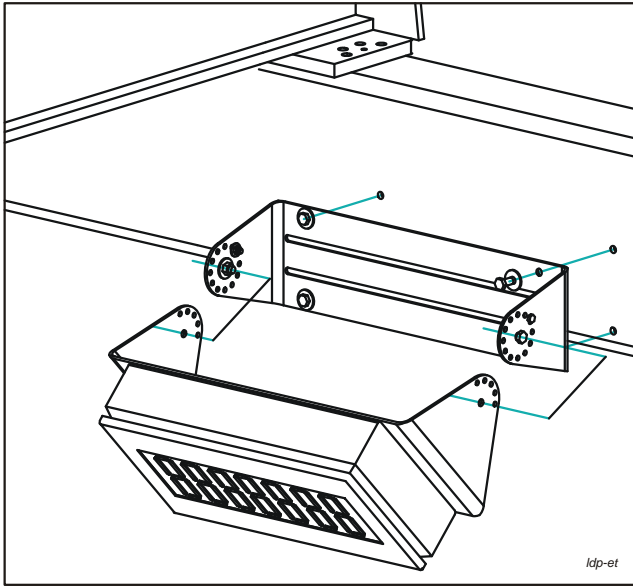


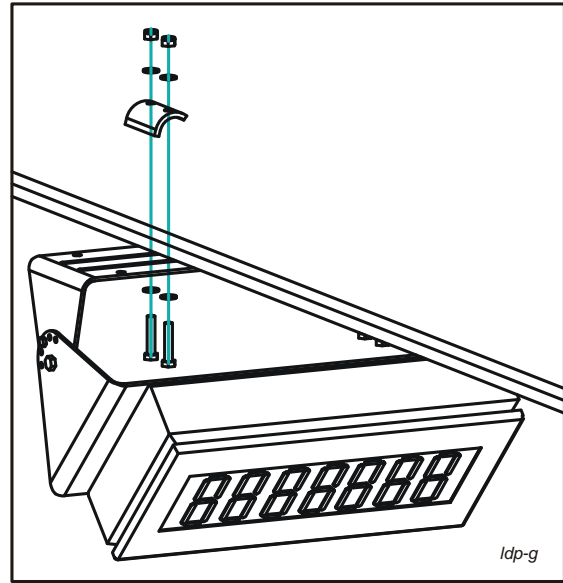


R&M Materials Handling, Inc.  
 4501 Gateway Boulevard  
 Springfield, Ohio 45502  
 P.: (937) 328-5100  
 FAX: (937) 325-5319

## 11 Load display assembly



Fixing to an end truck Drill 4xM10 tapped holes for assembly



Fixing to a bottom flange of a main box girder

Pos.	Name	Specification	Amount
	Fixing part set	CQ-012	1

Assemble the load display as close as possible to the bridge panel.