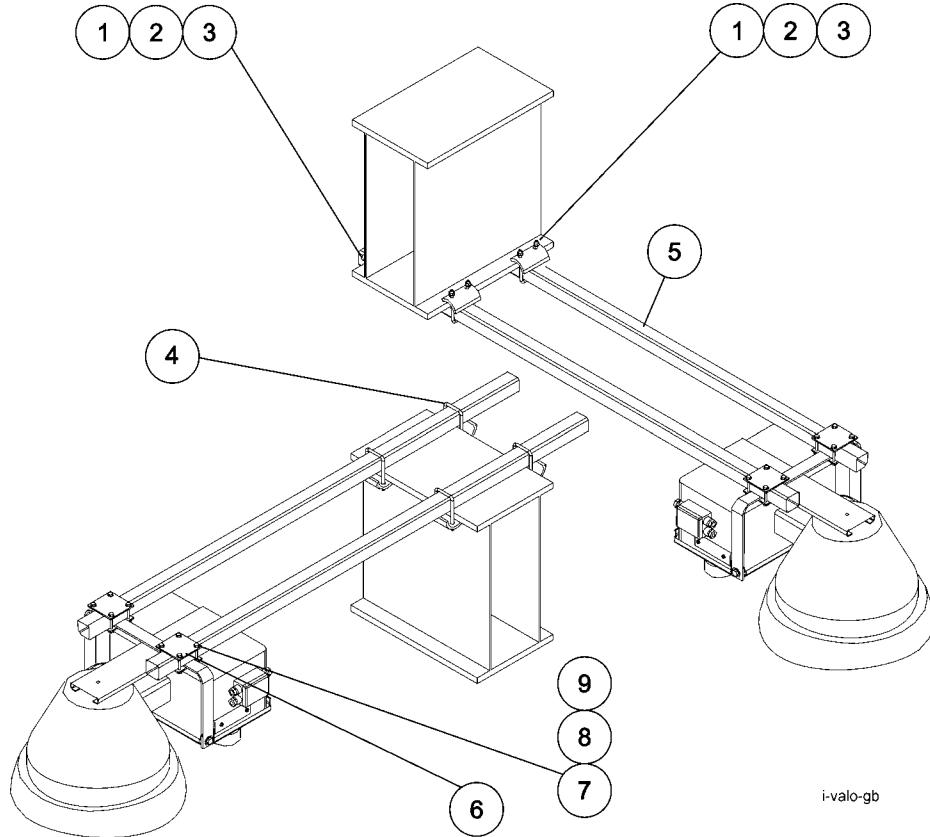




R&M Materials Handling, Inc.
 4501 Gateway Boulevard
 Springfield, Ohio 45502
 P.: (937) 328-5100
 FAX: (937) 325-5319

12Crane light assembly

12.1 I-Valo light, fixing to a flange of a main girder



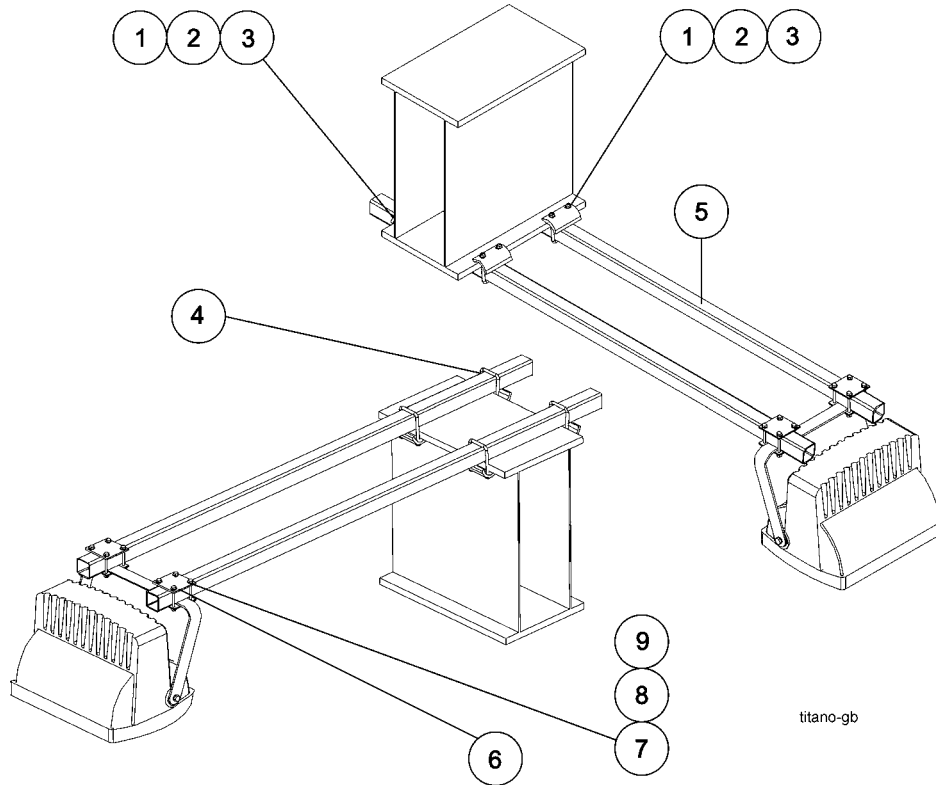
Pos.	Name	Specification	Amount
1	Nut	DIN985-M8-8-A3G	8
2	Washer	DIN126-A8-A3G	8
3	Plate	CQ-W58H100T8	4
4	Fixing part	CQX-M8D8L104	4
5	Tube	CQ-W50H50T4 1700 (1) / CQ-L1000W50H50T2 (2)	2
6	Fixing Plate	CQP-L80W80H6	4
7	Screw	DIN931-M8x90-8.8-A3G	8
8	Nut	DIN985-M8-8-A3F	8
9	Washer	DIN126-A8-A3G	16

Tubes (part no 5) variation 1 is for assembly fixed to the upper flange, variation 2 is for assembly fixed to the lower flange.



R&M Materials Handling, Inc.
 4501 Gateway Boulevard
 Springfield, Ohio 45502
 P.: (937) 328-5100
 FAX: (937) 325-5319

12.2 Titano light, fixing to a flange of a main girder



titano-gb

Pos.	Name	Specification	Amount
1	Nut	DIN985-M8-8-A3G	8
2	Washer	DIN126-A8-A3G	8
3	Plate	CQ-W58H100T8	4
4	Fixing part	CQX-M8D8L104	4
5	Tube	CQ-W50H50T4 1700 (1) / CQ-L1000W50H50T2 (2)	2
6	Fixing Plate	CQP-L80W80H6	4
7	Screw	DIN931-M8x80-8.8-A3G	8
8	Nut	DIN985-M8-8-A3F	8
9	Washer	DIN126-A8-A3G	16

Tubes (part no 5) variation 1 is for assembly fixed to the upper flange, variation 2 is for assembly fixed to the lower flange.