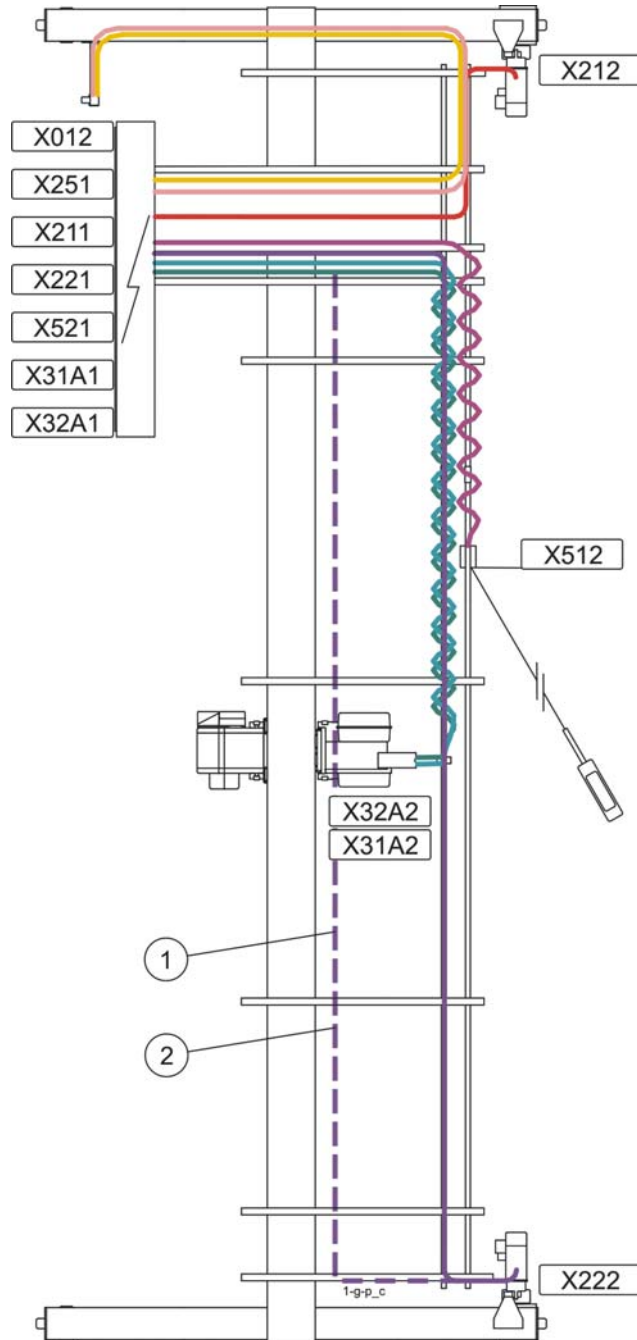




R&M Materials Handling, Inc.
4501 Gateway Boulevard
Springfield, Ohio 45502
P.: (937) 328-5100
FAX: (937) 325-5319

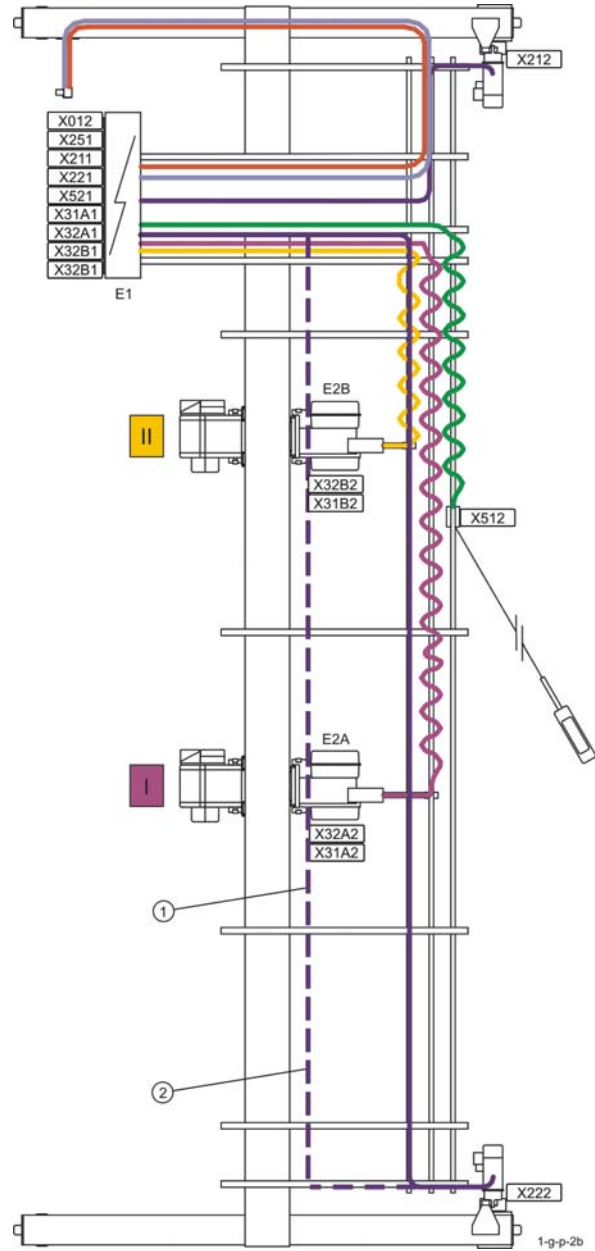
16 Cable plugs and paths

16.1 Single girder crane plug layout and cable paths (Wire rope hoist)



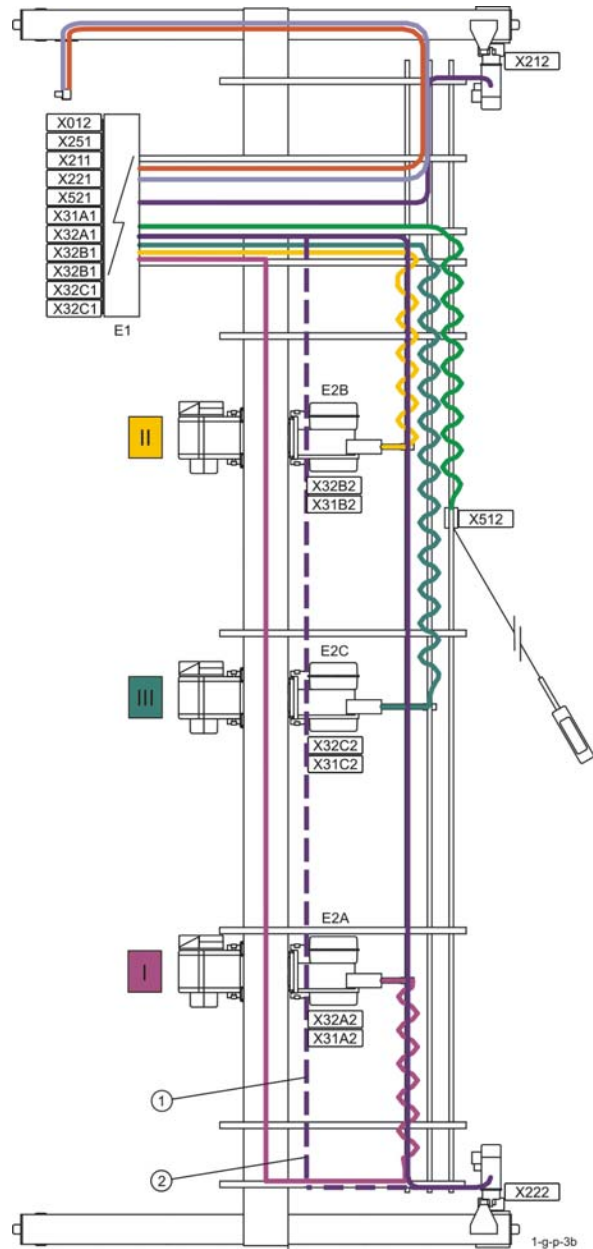
1. Upside-down fixed C-rail.
2. An alternative cable path to travelling machinery for those areas where this cable must be protected.

16.2 Single girder crane plug layout and cable paths, two hoists (Wire rope hoist)



1. Upside-down fixed C-rail.
2. An alternative cable path to travelling machinery for those areas where this cable must be protected.

16.3 Single girder crane plug layout and cable paths, three hoists (Wire rope hoist)

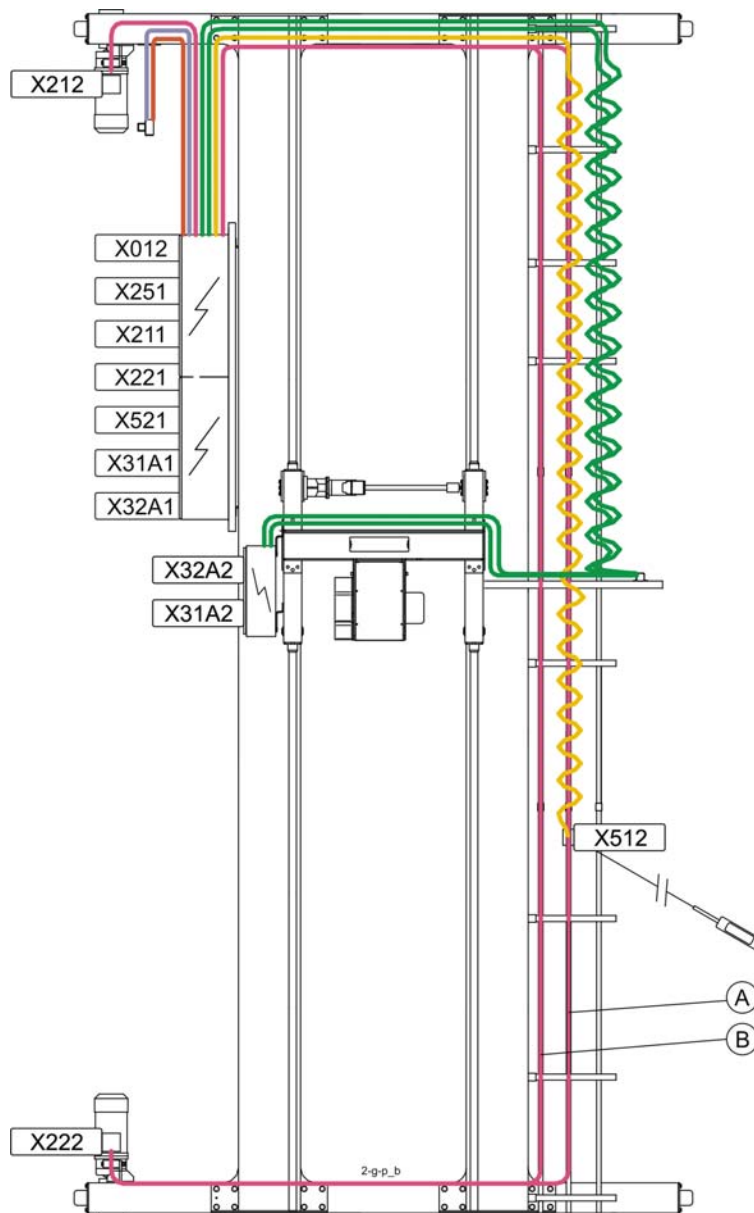


1. Upside-down fixed C-rail.
2. An alternative cable path to travelling machinery for those areas where this cable must be protected.



R&M Materials Handling, Inc.
4501 Gateway Boulevard
Springfield, Ohio 45502
P.: (937) 328-5100
FAX: (937) 325-5319

16.4 Double girder crane plug layout and cable paths (Wire rope hoist)

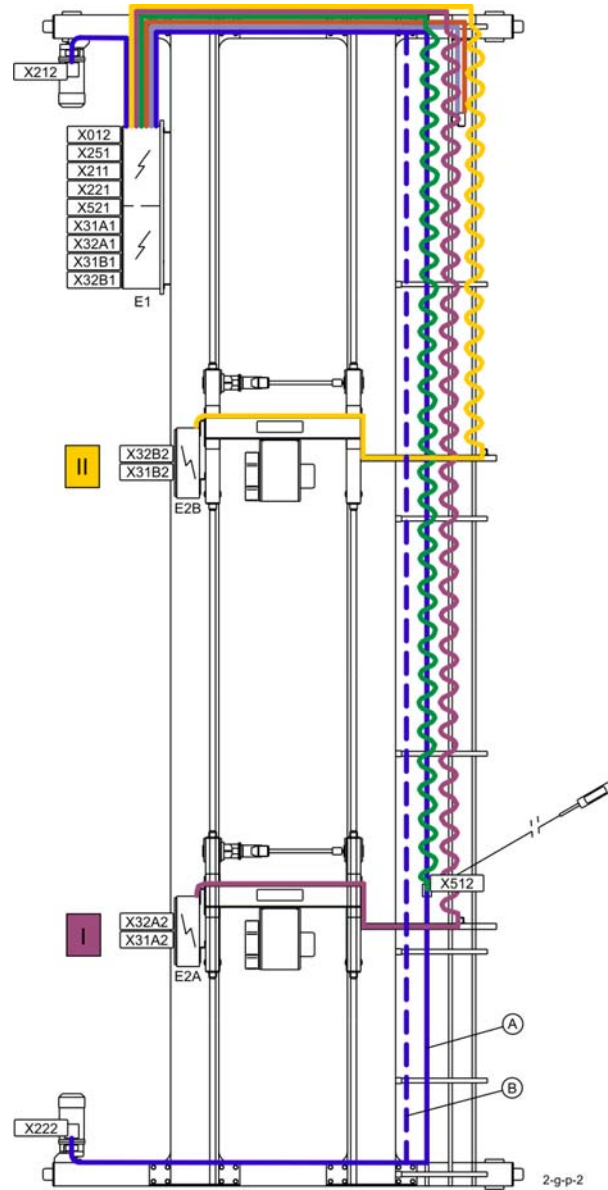


A/B Alternative cable paths



R&M Materials Handling, Inc.
4501 Gateway Boulevard
Springfield, Ohio 45502
P.: (937) 328-5100
FAX: (937) 325-5319

16.5 Double girder crane plug layout and cable paths, two hoists (Wire rope hoist)

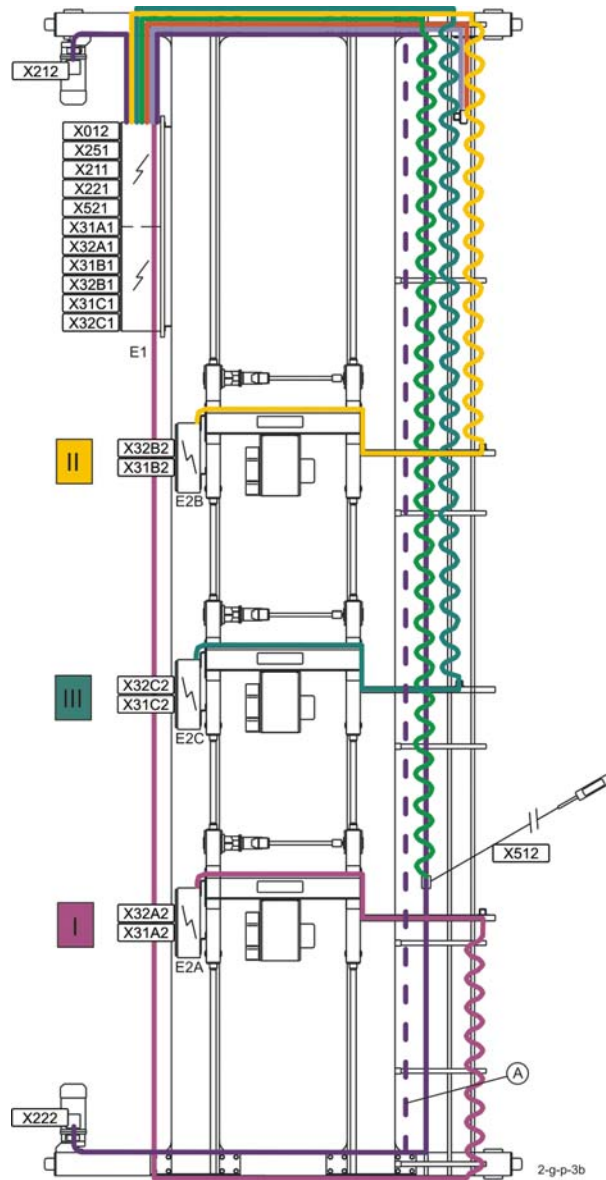


A/B Alternative cable paths



R&M Materials Handling, Inc.
4501 Gateway Boulevard
Springfield, Ohio 45502
P.: (937) 328-5100
FAX: (937) 325-5319

16.6 Double girder crane plug layout and cable paths, three hoists (Wire rope hoist)

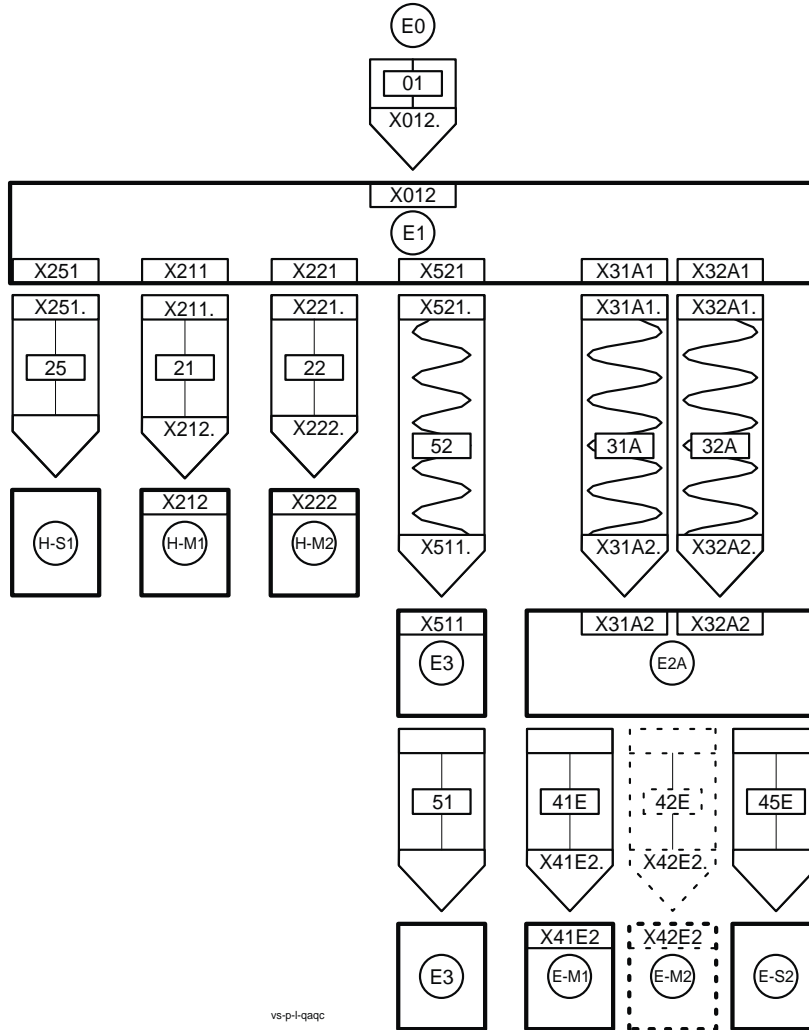


A/B Alternative cable paths



R&M Materials Handling, Inc.
 4501 Gateway Boulevard
 Springfield, Ohio 45502
 P.: (937) 328-5100
 FAX: (937) 325-5319

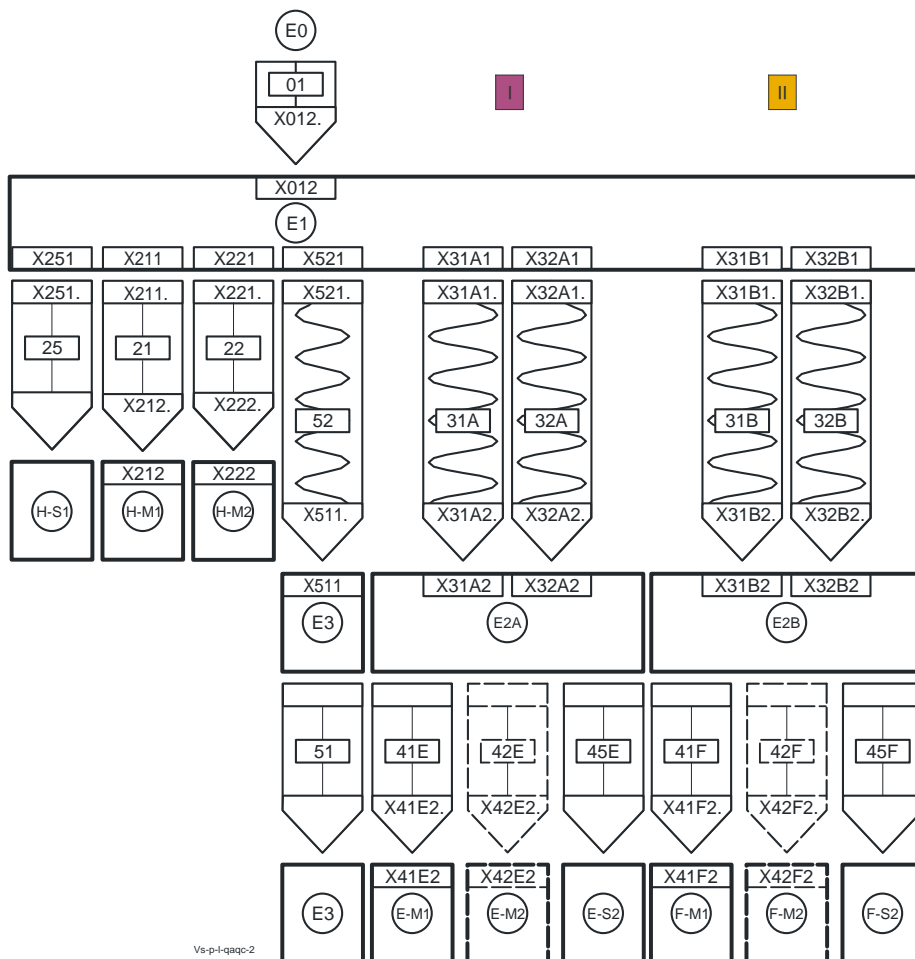
16.7 Plug diagram, (Wire rope hoist)



vs-p-l-qaqc

Symbol	Definition	Symbol	Definition
E0	Crane power supply	E3	Push Button trolley and push button
E1	Bridge panel	E2A	Hoist panel
H-S1	Crane limit switch	E-M1	Hoist traveling motor 1
H-M1	Crane traveling motor 1	E-M2	Hoist traveling motor 2
H-M2	Crane traveling motor 2	E-S2	Hoist limit switch

16.8 Plug diagram, two hoists (Wire rope hoist)



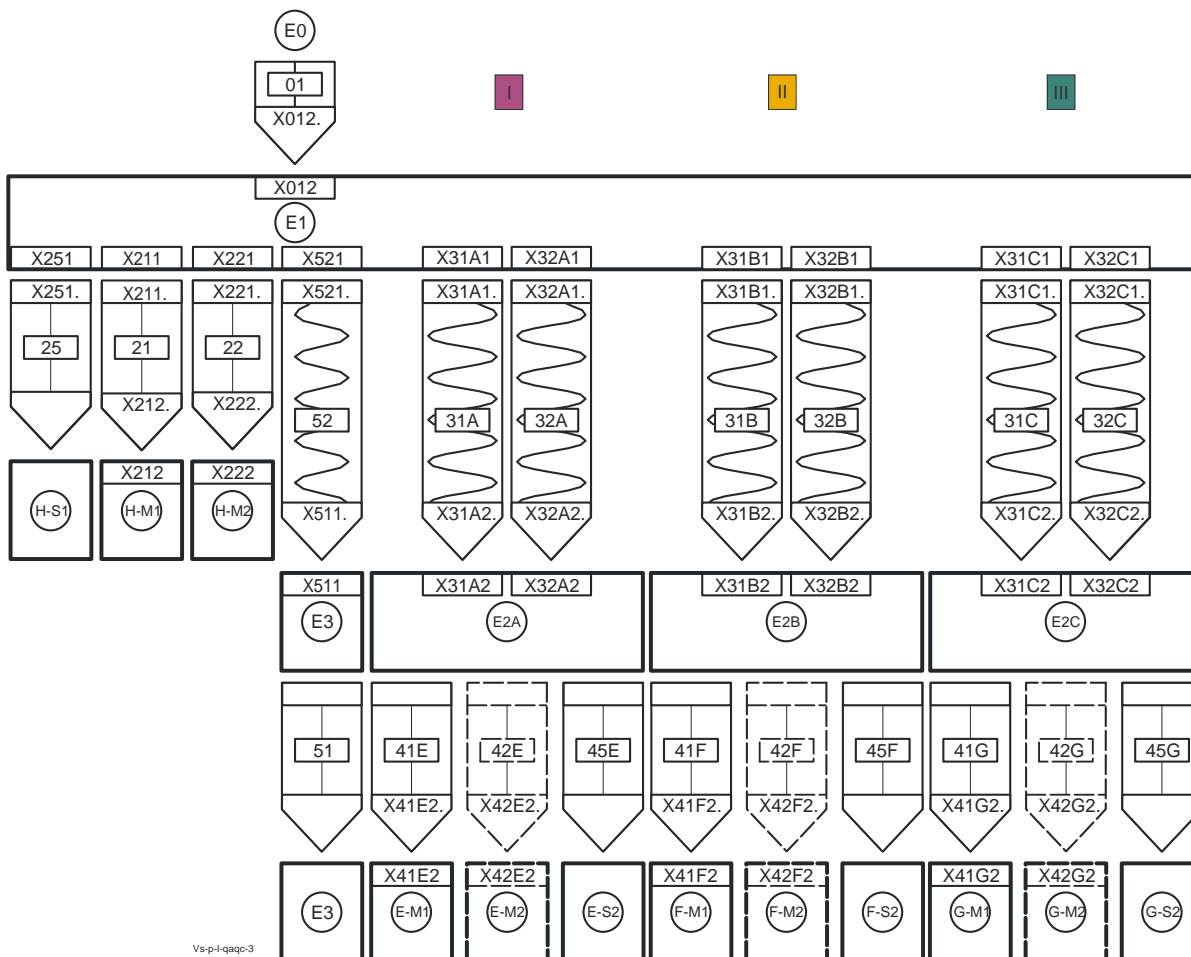
Vs-p-l-qaqc-2

Symbol	Definition	Symbol	Definition
E0	Crane power supply	E3	Push Button trolley and push button
E1	Bridge panel	E2A, E2B	Hoist panel
H-S1	Crane limit switch	E-M1, F-M1	Hoist traveling motor 1
H-M1	Crane traveling motor 1	E-M2, F-M2	Hoist traveling motor 2
H-M2	Crane traveling motor 2	E-S2, F-S2	Hoist limit switch



R&M Materials Handling, Inc.
 4501 Gateway Boulevard
 Springfield, Ohio 45502
 P.: (937) 328-5100
 FAX: (937) 325-5319

16.9 Plug diagram, three hoists (Wire rope hoist)



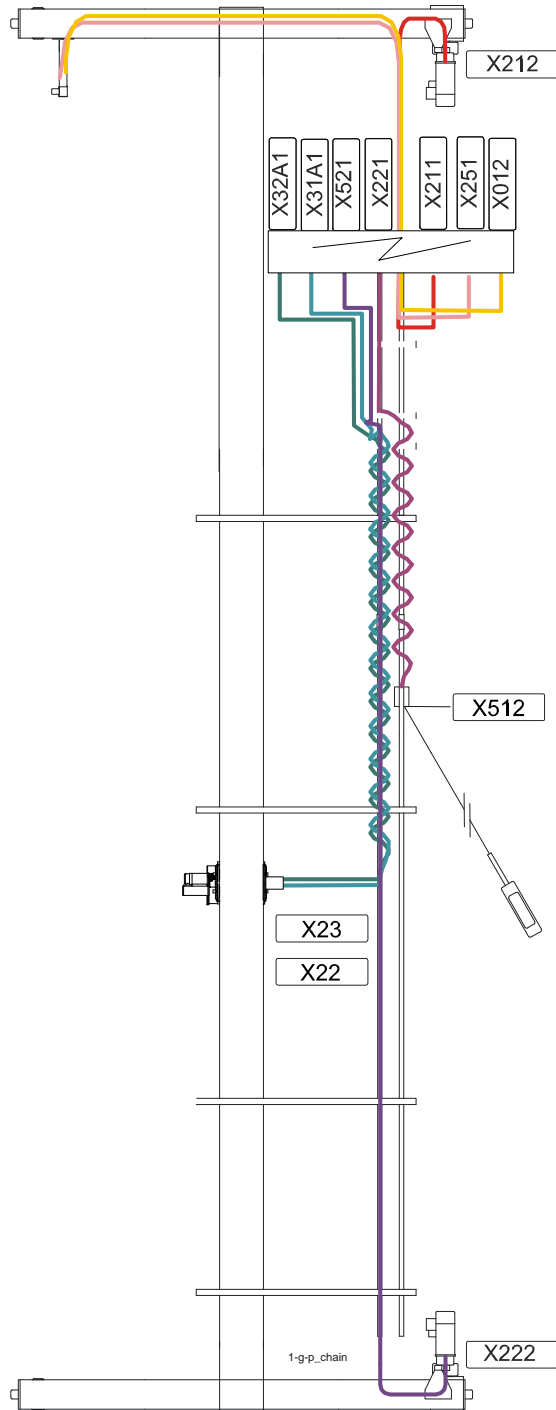
Vs-p-l-qaqc-3

Symbol	Definition	Symbol	Definition
E0	Crane power supply	E3	Push Button trolley and push button
E1	Bridge panel	E2A, E2B, E2C	Hoist panel
H-S1	Crane limit switch	E-M1, F-M1, G-M1	Hoist traveling motor 1
H-M1	Crane traveling motor 1	E-M2, F-M2, G-M2	Hoist traveling motor 2
H-M2	Crane traveling motor 2	E-S2, F-S2, G-S2	Hoist limit switch



R&M Materials Handling, Inc.
4501 Gateway Boulevard
Springfield, Ohio 45502
P.: (937) 328-5100
FAX: (937) 325-5319

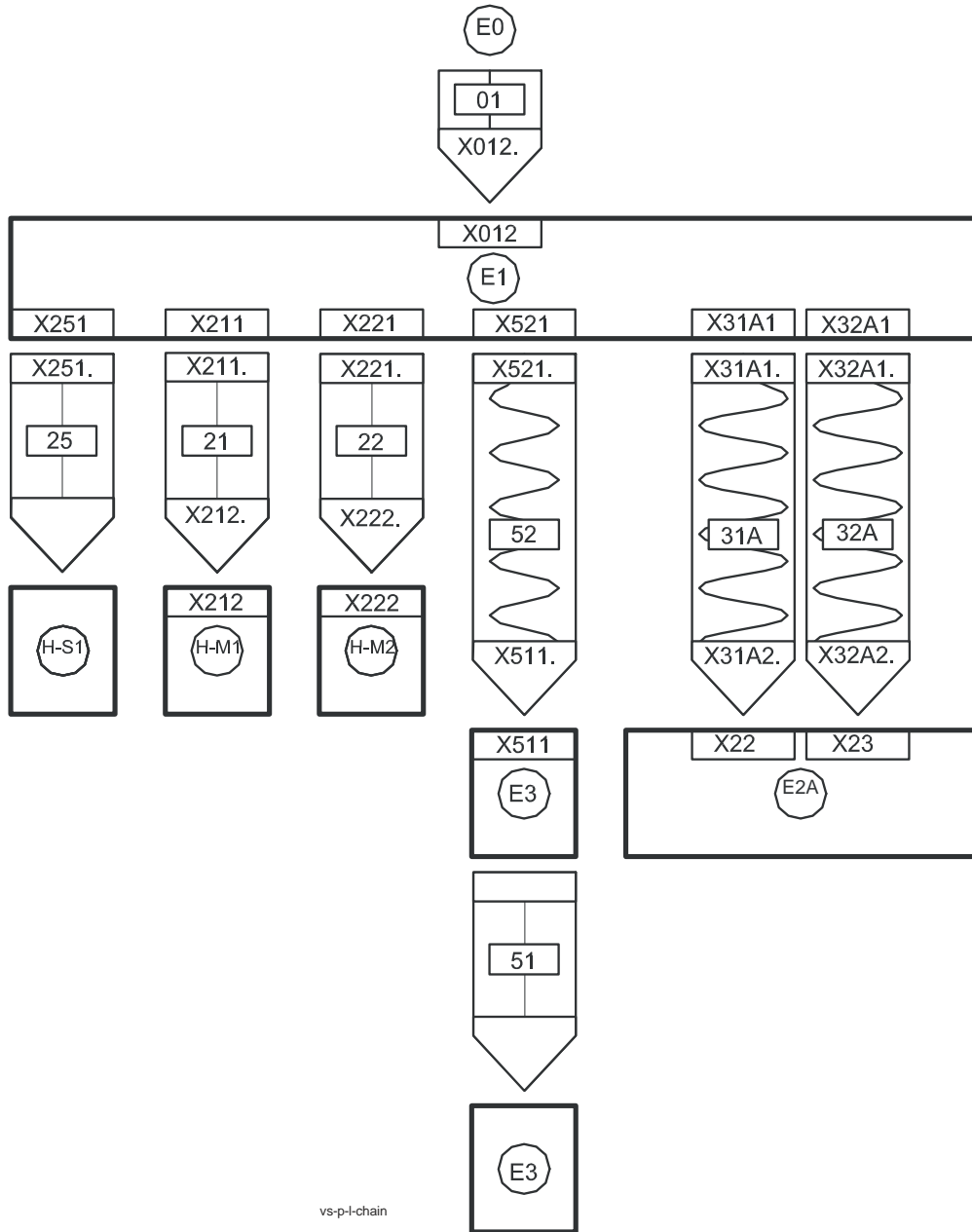
16.10 Single girder crane plug layout and cable paths (Chain hoist)





R&M Materials Handling, Inc.
 4501 Gateway Boulevard
 Springfield, Ohio 45502
 P.: (937) 328-5100
 FAX: (937) 325-5319

16.11 Plug diagram (Chain hoist)

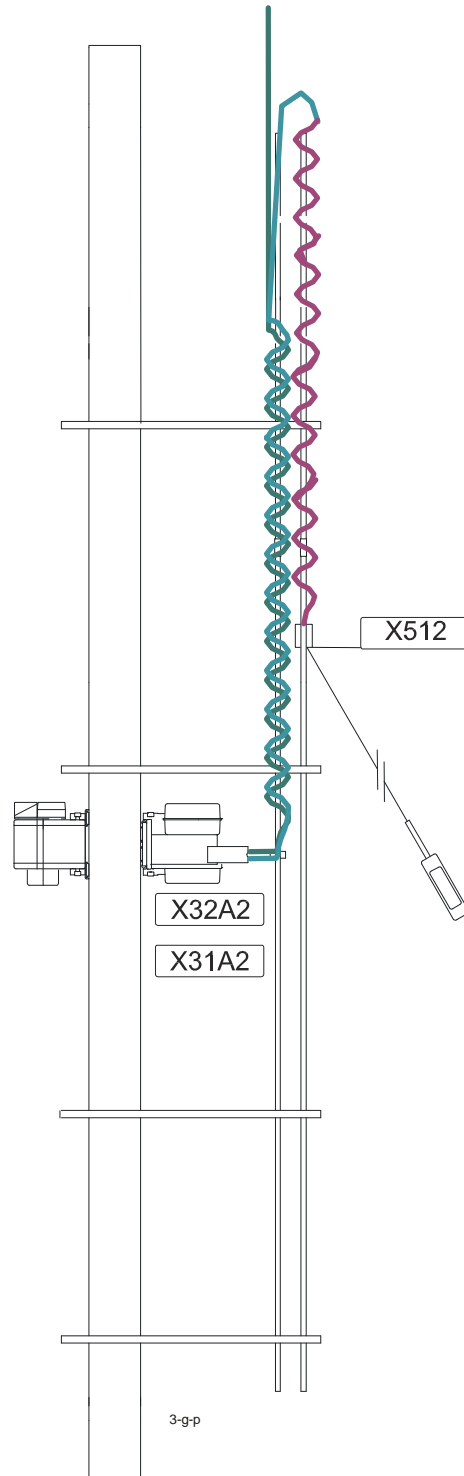


Symbol	Definition	Symbol	Definition
E0	Crane power supply	E3	Push Button trolley and push button
E1	Bridge panel	E2A	Hoist panel
H-S1	Crane limit switch	EM1	Hoist traveling motor 1
H-M1	Crane traveling motor 1	EM2	Hoist traveling motor 2
H-M2	Crane traveling motor 2	E-S2	Hoist limit switch



R&M Materials Handling, Inc.
4501 Gateway Boulevard
Springfield, Ohio 45502
P.: (937) 328-5100
FAX: (937) 325-5319

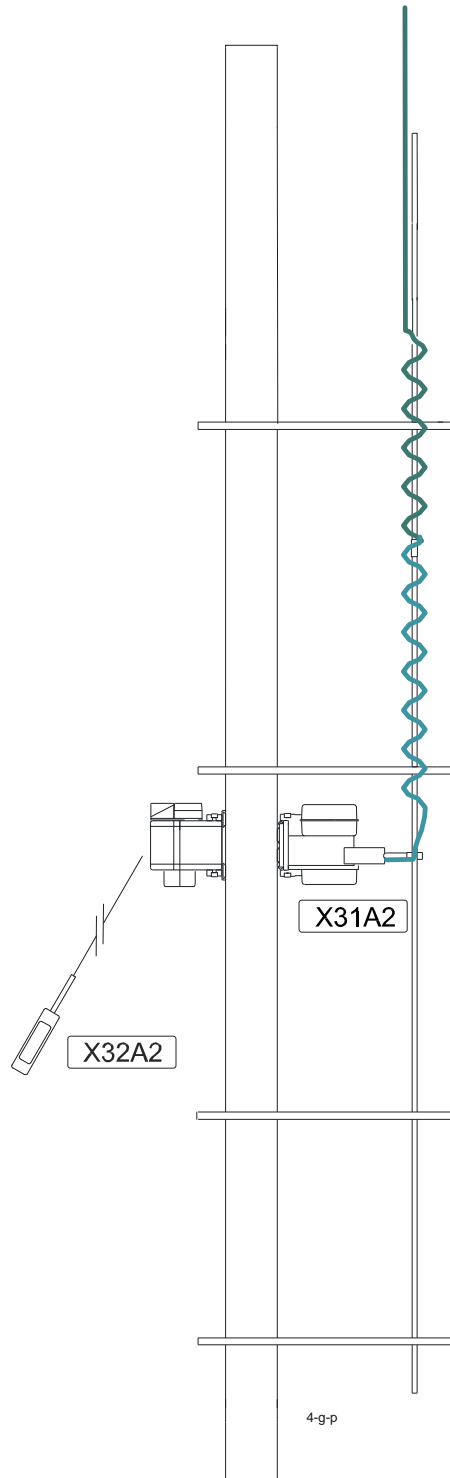
16.12 Solo hoist with moveable pendant plug layout and cable paths (Wire rope hoist)





R&M Materials Handling, Inc.
4501 Gateway Boulevard
Springfield, Ohio 45502
P.: (937) 328-5100
FAX: (937) 325-5319

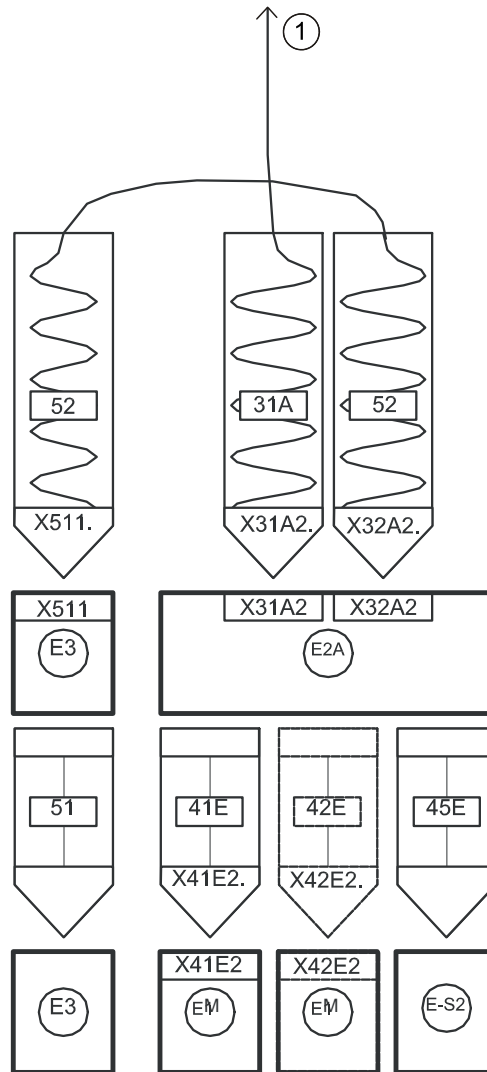
16.13 Solo hoist with fixed pendant plug layout and cable paths (Wire rope hoist)





R&M Materials Handling, Inc.
 4501 Gateway Boulevard
 Springfield, Ohio 45502
 P.: (937) 328-5100
 FAX: (937) 325-5319

16.14 Plug diagram, movable pendant (Wire rope hoist)



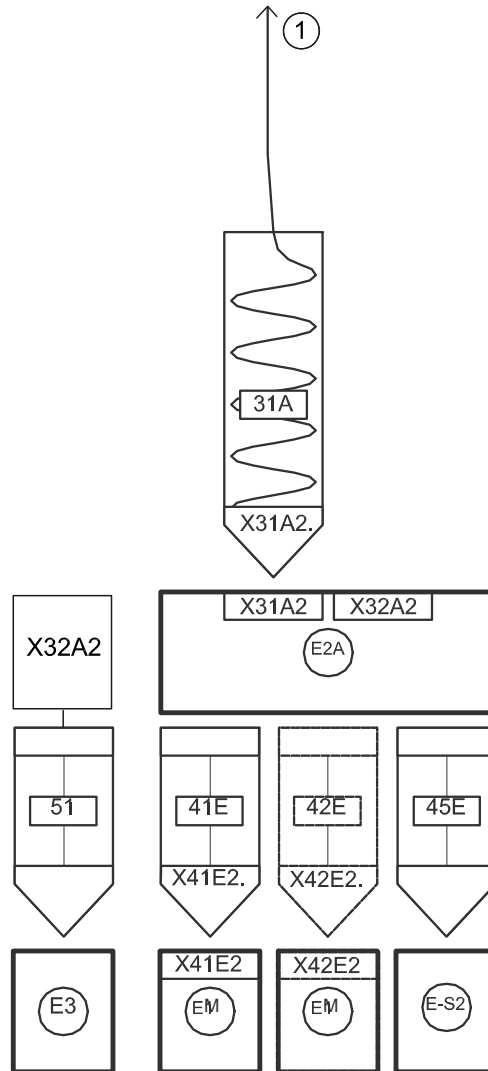
vs-p-l-solo1

Symbol	Definition	Symbol	Definition
1	To the power supply	EM1	Hoist traveling motor 1
E3	Push Button trolley and push button	EM2	Hoist traveling motor 2
E2A	Hoist panel	E-S2	Hoist limit switch



R&M Materials Handling, Inc.
 4501 Gateway Boulevard
 Springfield, Ohio 45502
 P.: (937) 328-5100
 FAX: (937) 325-5319

16.15 Plug diagram, fixed pendant (Wire rope hoist)



vs-p-l-solo2

Symbol	Definition	Symbol	Definition
1	To the power supply	EM2	Hoist traveling motor 2
E2A	Hoist panel	E-S2	Hoist limit switch
EM1	Hoist traveling motor 1		