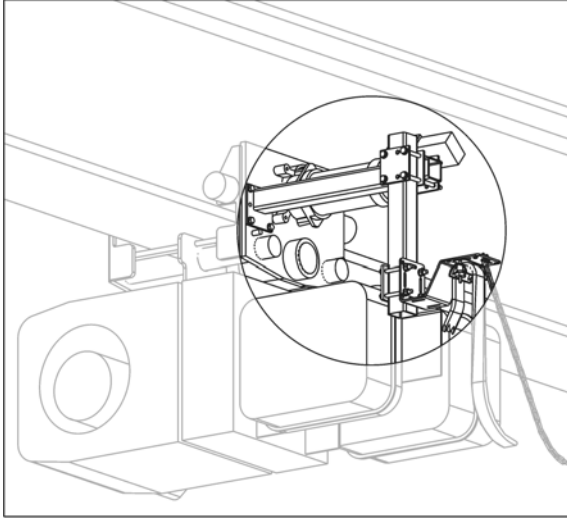




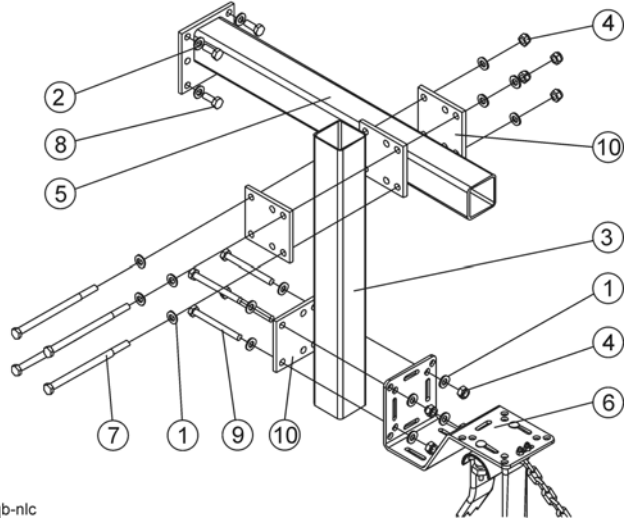
R&M Materials Handling, Inc.
 4501 Gateway Boulevard
 Springfield, Ohio 45502
 P.: (937) 328-5100
 FAX: (937) 325-5319

5 Hoist power towing arm assembly

5.1 Normal headroom hoist, girder height ≤ 400 mm (Wire rope hoist)

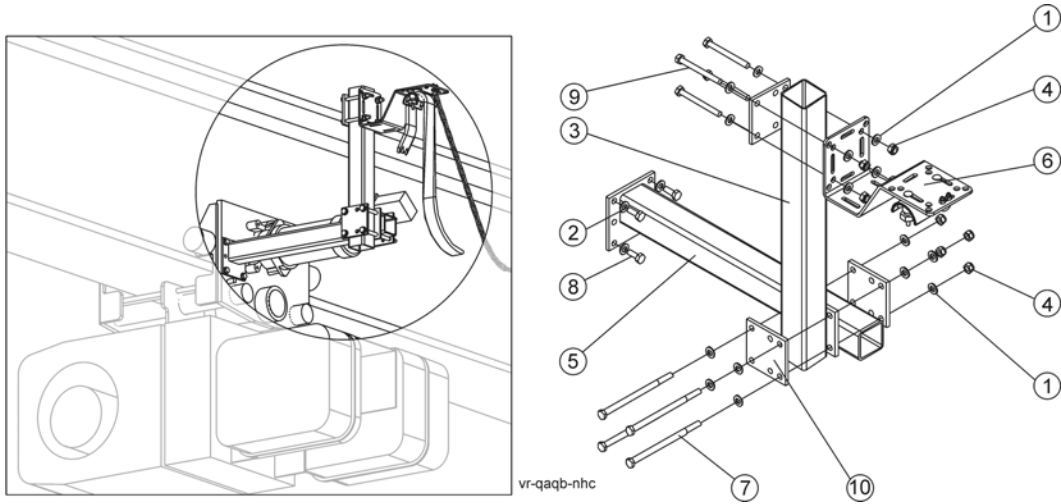


vr-qaqb-nlc



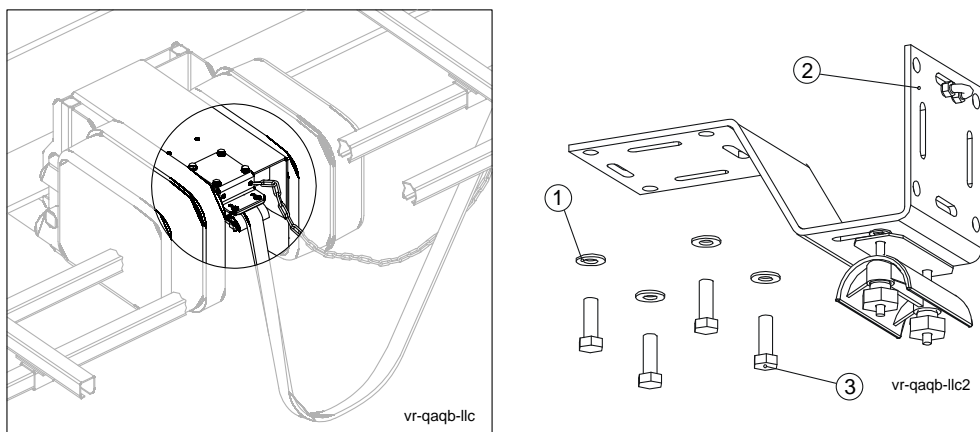
Pos.	Name	Specification	Amount
1	Washer	DIN125-A8-A3G	16
2	Washer	DIN127-A8-A3G	4
3	Tube	CQ-L420W50H50T2	1
4	Nut	DIN985-M8-8-A3G	8
5	Towing arm	CQ-L450	1
6	Towing arm assembly		1
7	Screw	DIN931-M8x140-8.8-A3G	4
8	Screw	DIN933-M8X25-8.8-A3G	4
9	Screw	DIN931-M8x80-8.8-A3G	4
10	Fixing plate	CQP-L80W80H6	4

5.2 Normal headroom hoist, girder height >400 mm (Wire rope hoist)



Pos.	Name	Specification	Amount
1	Washer	DIN125-A8-A3G	16
2	Washer	DIN127-A8-A3G	4
3	Tube	CQ-L420W50H50T2	1
4	Nut	DIN985-M8-8-A3G	8
5	Towing arm	CQ-L450	1
6	Towing arm assembly		1
7	Screw	DIN931-M8x140-8.8-A3G	4
8	Screw	DIN933-M8X25-8.8-A3G	4
9	Screw	DIN931-M8x80-8.8-A3G	4
10	Fixing plate	CQP-L80W80H6	4

5.3 Low headroom hoist (drum diam. 303 mm or 355 mm), girder height ≤500 mm (Wire rope hoist)

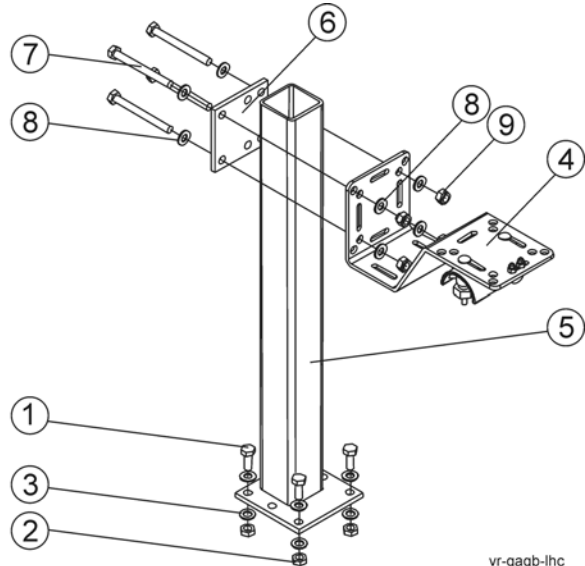
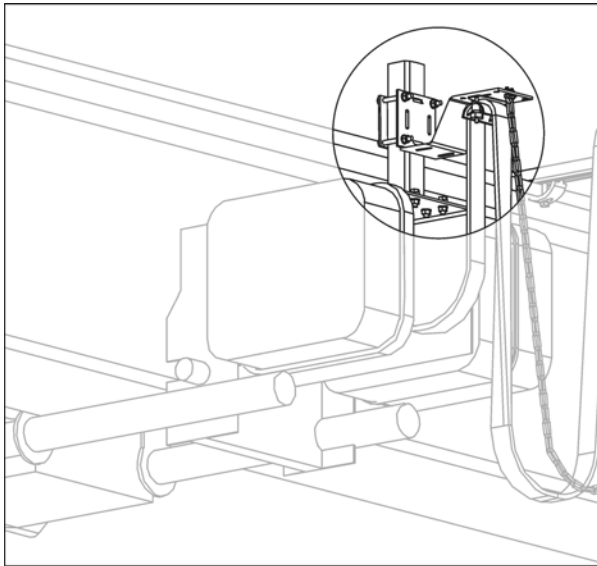


Pos.	Name	Specification	Amount
1	Washer	DIN127-A8-A3G	4
2	Assembly		1
3	Screw	DIN933-M8X12-8.8-A3G	4



R&M Materials Handling, Inc.
 4501 Gateway Boulevard
 Springfield, Ohio 45502
 P.: (937) 328-5100
 FAX: (937) 325-5319

5.4 Low headroom hoist (drum diam. 303 mm or 355 mm), girder height >500 mm (Wire rope hoist)



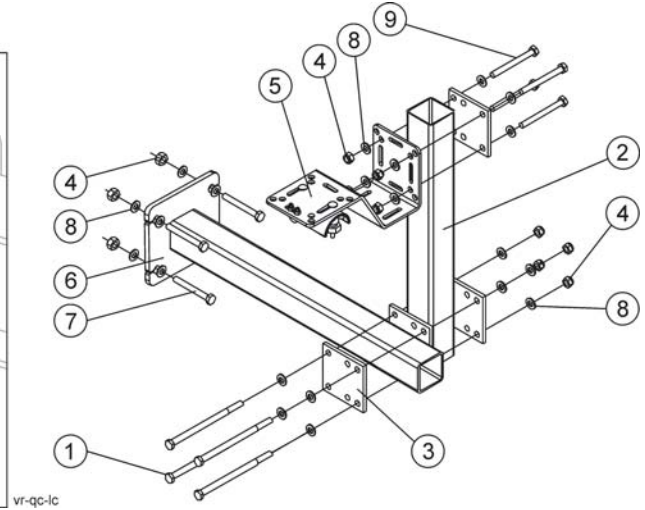
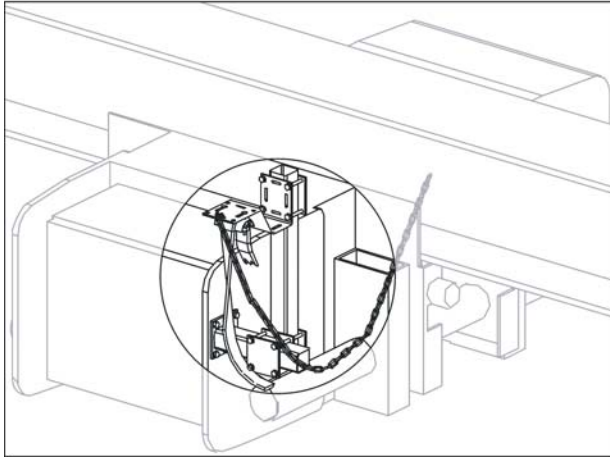
vr-qaqb-lhc

Pos.	Name	Specification	Amount
1	Screw	DIN933-M8x25-8.8-A3G	4
2	Nut	DIN985-M8-8-A3G	4
3	Washer	DIN125-A8-A3G	8
4	Towing arm	CQT-D/L/N/J (-10N1)	1
5	Tube	CQ-L	1
6	Fixing Plate	CQP-L80W80H6	1
7	Screw	DIN931-M8x80-8.8-A3G	4
8	Washer	DIN125-A8-A3G	4
9	Nut	DIN985-M8-8-A3G	4



R&M Materials Handling, Inc.
 4501 Gateway Boulevard
 Springfield, Ohio 45502
 P.: (937) 328-5100
 FAX: (937) 325-5319

5.5 Low headroom hoist (drum diam. 406 mm) (Wire rope hoist)

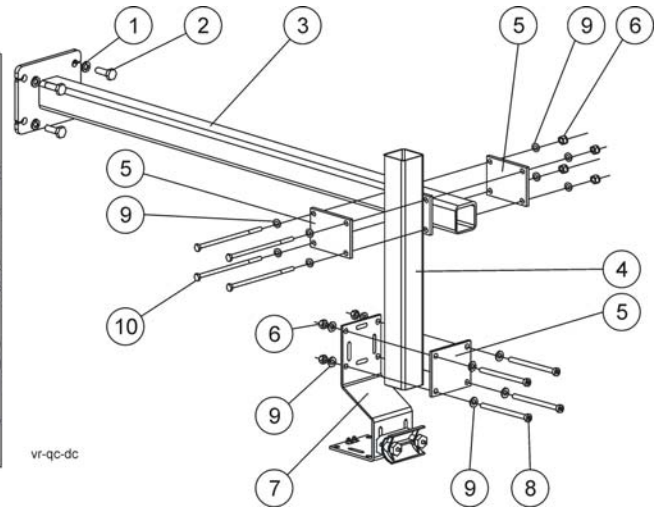
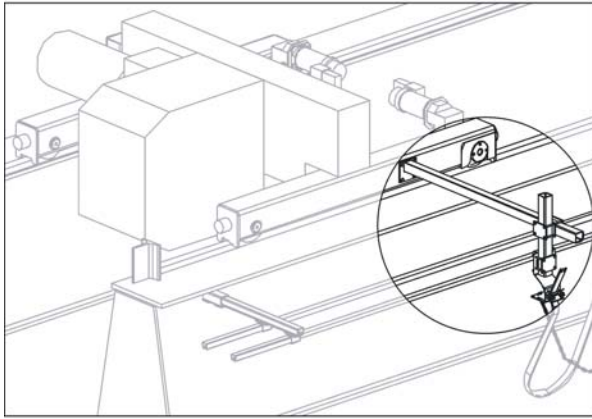


Pos.	Name	Specification	Amount
1	Screw	DIN931-M8x140-8.8-A3G	4
2	Tube	CQ-L...	1
3	Fixing plate	CQP-L80W80H6	4
4	Nut	DIN985-M8-8-A3G	12
5	Towing arm assembly	CQT-D/L/N/J	1
6	Towing arm	CQ-L250	1
7	Screw	DIN933-M8x40-8.8 or DIN933-M8x90-8.8	4
8	Washer	DIN125-A8-A3G	24
9	Screw	DIN931-M8x80-8.8-A3G	4



R&M Materials Handling, Inc.
 4501 Gateway Boulevard
 Springfield, Ohio 45502
 P.: (937) 328-5100
 FAX: (937) 325-5319

5.6 Double girder trolley (Wire rope hoist)



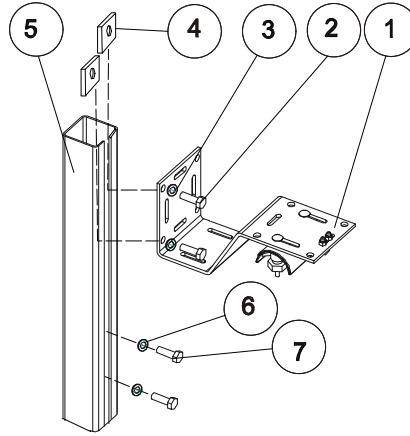
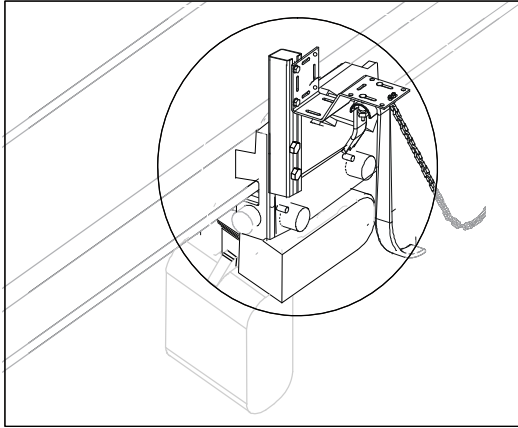
vr-qc-dc

Pos.	Name	Specification	Amount
1	Washer	DIN127-A10-A3G	4
2	Screw	DIN933-M10x30-8.8-A3G	4
3	Towing arm	CQT-L	1
4	Tube	CQ-L550W50H50T2	1
5	Fixing plate	CQP-L80W80H6	4
6	Nut	DIN985-M8-8-A3G	8
7	Towing arm assembly	CQT-D/L/N	1
8	Screw	DIN931-M8x80-8.8-A3G	4
9	Washer	DIN125-A8-A3G	16
10	Screw	DIN931-M8X140-8.8-A3G	4



R&M Materials Handling, Inc.
 4501 Gateway Boulevard
 Springfield, Ohio 45502
 P.: (937) 328-5100
 FAX: (937) 325-5319

5.7 Normal headroom hoist (Chain hoist)



vr-chain

Pos.	Name	Specification	Amount
1	Assembly		1
2	Screw	DIN912-M8X25-8.8-A3G	2
3	Washer	DIN125-A8-A3G	2
4	Nut	CQ-L25W25TB	8
5	Support	CQ-L450W40H40	1
6	Washer	DIN440-D28/9X3-A3G	2
7	Screw	DIN912-M8X50-8.8-A3G	2