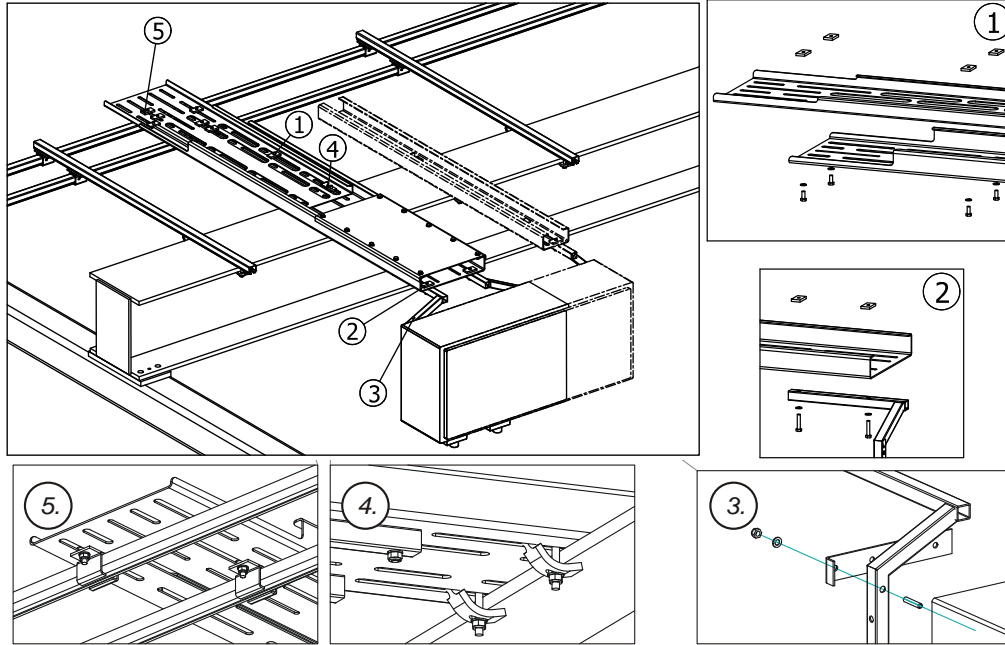




R&M Materials Handling, Inc.
 4501 Gateway Boulevard
 Springfield, Ohio 45502
 P.: (937) 328-5100
 FAX: (937) 325-5319

7 Bridge panel assembly

7.1 Single girder crane (Wire rope hoist)



Cable way extension			
Pos. 1	Name	Specification	Amount
	Screw	DIN933-M8x20-8.8-A3G	4
	Washer	DIN125-A8-A3G	4
	Fixing part	CQ-W25T6L30	4
Fixing bridge panel brackets			
Pos. 2	Name	Specification	Amount
	Cable way	CQP-S...	1 or 2
	Screw	DIN933-M8x45-8.8-A3G	4
	Washer	DIN125-A8-A3G	4
	Fixing part	CQ-W25T6L30	4

Fixing bridge panel			
Pos. 3	Name	Specification	Amount
	Fixing part	CQP-S-L165W23H40T3	2 or 3
	Support	CQP-S...	4 or 6
	Screw (Threadlocking)	DIN913-M8x40	4 or 6
	Washer	DIN9021-8-A3G	4 or 6
	Nut	DIN985-M8-8-A3G	4 or 6

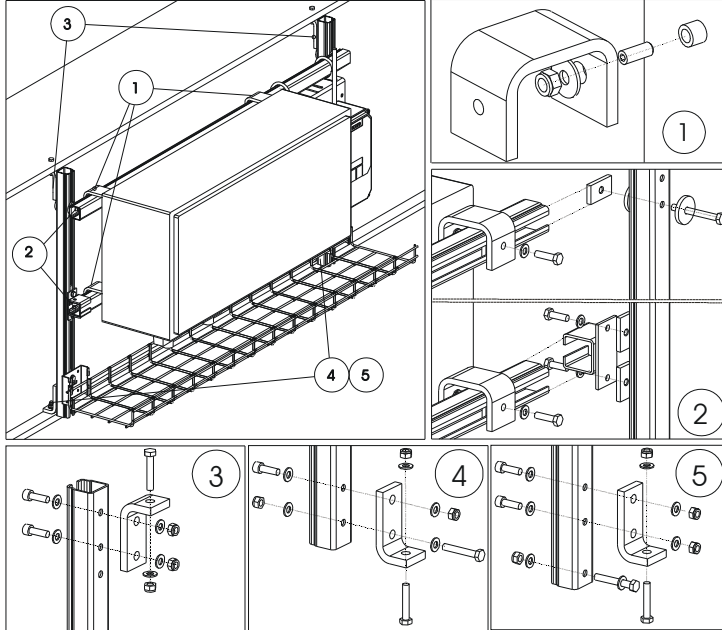
Fixing cable way to the girder			
Pos. 4	Name	Specification	Amount
	Beam clip	KC-020180-08	4
Fixing cable way to the c-rail			
Pos. 5	Name	Specification	Amount
	Track support bracket	KC-023226	2

- In small sized bridge panels will be used one piece of a cableway, then only two fixing parts will be needed.



R&M Materials Handling, Inc.
 4501 Gateway Boulevard
 Springfield, Ohio 45502
 P.: (937) 328-5100
 FAX: (937) 325-5319

7.2 Double girder crane (Wire rope hoist)



Note!
 Positions 4 and 5 are alternative fixing types.

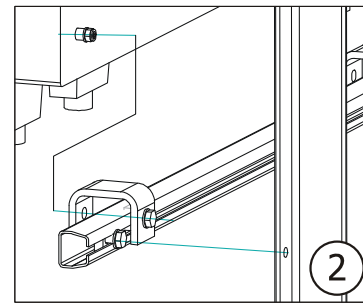
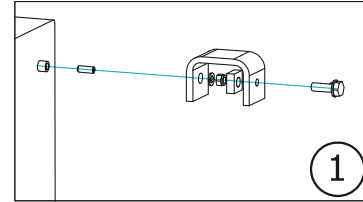
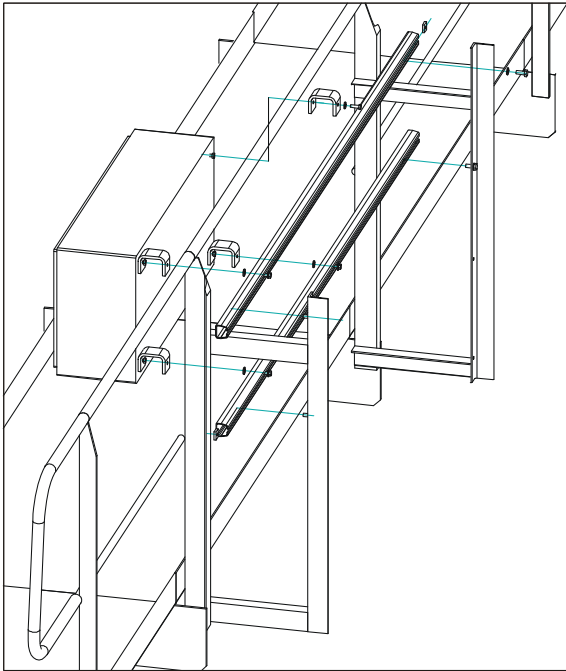
Name	Specification	Amount		
Fixing bridge panel; Position 1				
Fixing plate	CQP-L81W50H58T8	4/6/8		
Screw (Thread locking)	DIN913-M8x20-8.8-A3G	4/6/8		
Washer	DIN9021-8-A3G	4/6/8		
Nut	DIN985-M8-8-A3G	4/6/8		
Fixing c-rail; Position 2				
C-rail	KC-020276	2		
Nut; Square	CQ-W25T6L45	10/12/14		
Screw	DIN933-M8x25-8.8-A3G	8/10/12		
Screw	DIN933-M8X70-8.8-A3G	2		
Washer	DIN125-A8-A3G	8/10/12		
Washer	QA-D9D36D5	4		
Track support	KC-024122	2		
Fixing angle bars		Position	3 4/5	
Fixing plate	QA-L90W40H45T10	2	2	2
Screw	DIN933-M8X45-8.8-A3G	2	2	4
Screw	DIN933-M8X50-8.8-A3G	-	2	-
Screw	DIN912-M8X25-8.8-A3G	4	2	4
Washer	DIN125-A8-A3G	12	12	16
Nut	DIN985-M8-8-A3G	6	6	8

Note! Amounts are case-specific. They vary by number and type of bridge panel(s) and amount of vertical c-rails required.



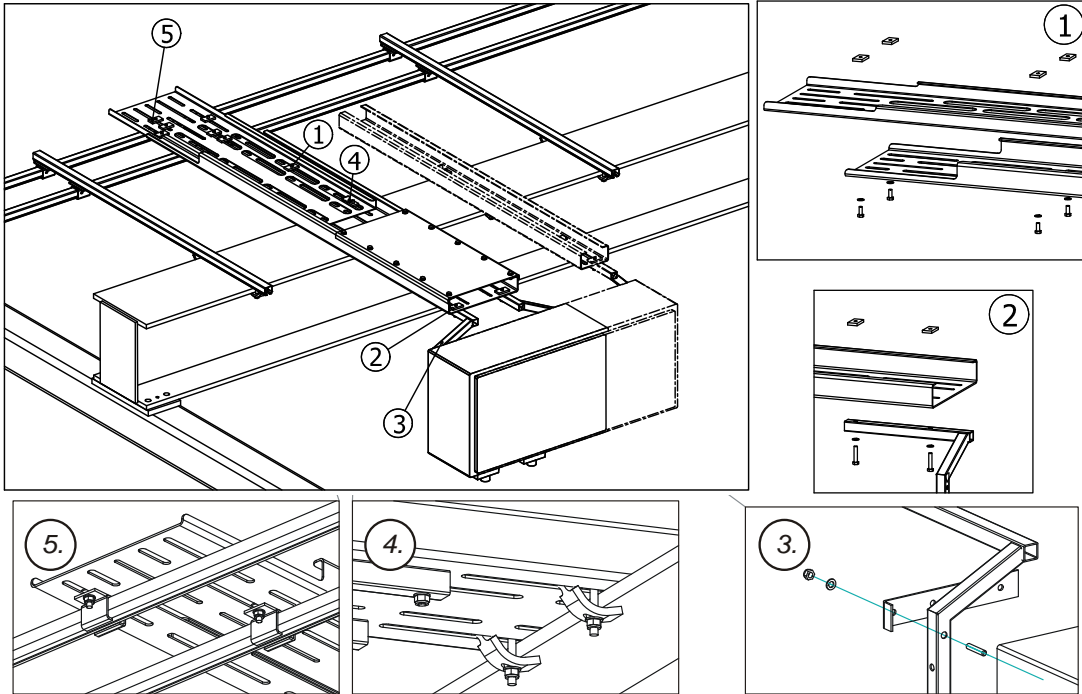
R&M Materials Handling, Inc.
 4501 Gateway Boulevard
 Springfield, Ohio 45502
 P.: (937) 328-5100
 FAX: (937) 325-5319

7.3 Double girder crane with a service platform (Wire rope hoist)



Fixing bridge panel			
Pos. 1	Name	Specification	Amount
	Fixing plate	CQP-L81W50H58T8	4/6/8
	Screw (Threadlocking)	DIN913-M8x20-8.8-A3G	4/6/8
	Washer	DIN9021-8-A3G	4/6/8
	Nut	DIN985-M8-8-A3G	4/6/8
Fixing c-rail			
Pos.2	Name	Specification	Amount
	C-rail	KC-020276-(650/850/1340/1520/1800/2000/2200)	2
	Nut; Square	CQ-W30L25T6	8/10/12
	Screw	DIN933-M8x20-8.8-A3G	8/10/12
	Washer	DIN125-A8-A3G	8/10/12

7.4 Single girder crane (Chain hoist)



Cable way extension			
Pos. 1	Name	Specification	Amount
	Screw	DIN933-M8x20-8.8-A3G	4
	Washer	DIN125-A8-A3G	4
	Fixing part	CQ-W25T6L30	4
Fixing bridge panel brackets			
Pos. 2	Name	Specification	Amount
	Cable way	CQP-S...	1 or 2
	Screw	DIN933-M8x45-8.8-A3G	4
	Washer	DIN125-A8-A3G	4
	Fixing part	CQ-W25T6L30	4

Fixing bridge panel			
Pos. 3	Name	Specification	Amount
	Fixing part	CQP-S-L165W23H40T3	2 or 3
	Support	CQP-S...	4 or 6
	Screw (Threadlocking)	DIN913-M8x40	4 or 6
	Washer	DIN9021-8-A3G	4 or 6
	Nut	DIN985-M8-8-A3G	4 or 6

Fixing cable way to the girder			
Pos. 4	Name	Specification	Amount
	Beam clip	KC-020180-08	4
Fixing cable way to the c-rail			
Pos. 5	Name	Specification	Amount
	Track support bracket	KC-023226	2

- In small sized bridge panels will be used one piece of a cableway, then only two fixing parts will be needed.