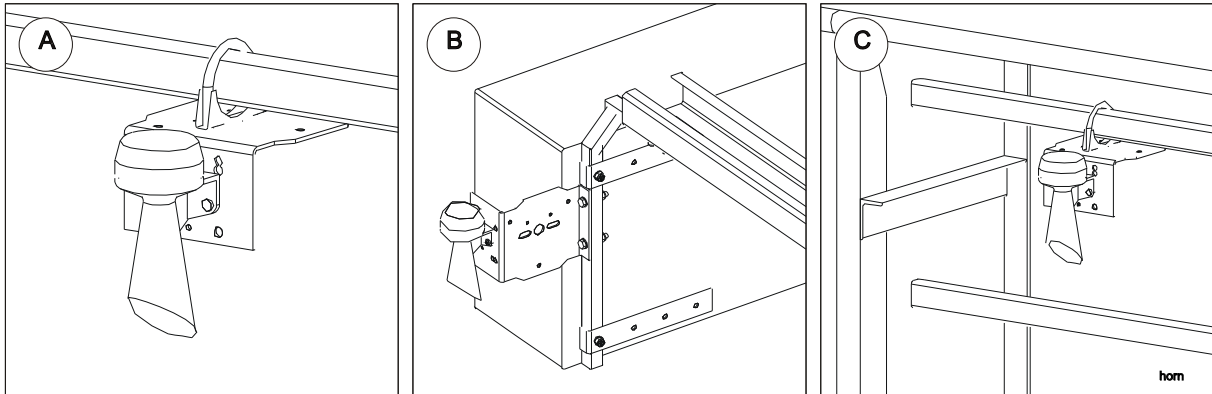




R&M Materials Handling, Inc.
4501 Gateway Boulevard
Springfield, Ohio 45502
P.: (937) 328-5100
FAX: (937) 325-5319

8 Horn assembly

8.1 Crane



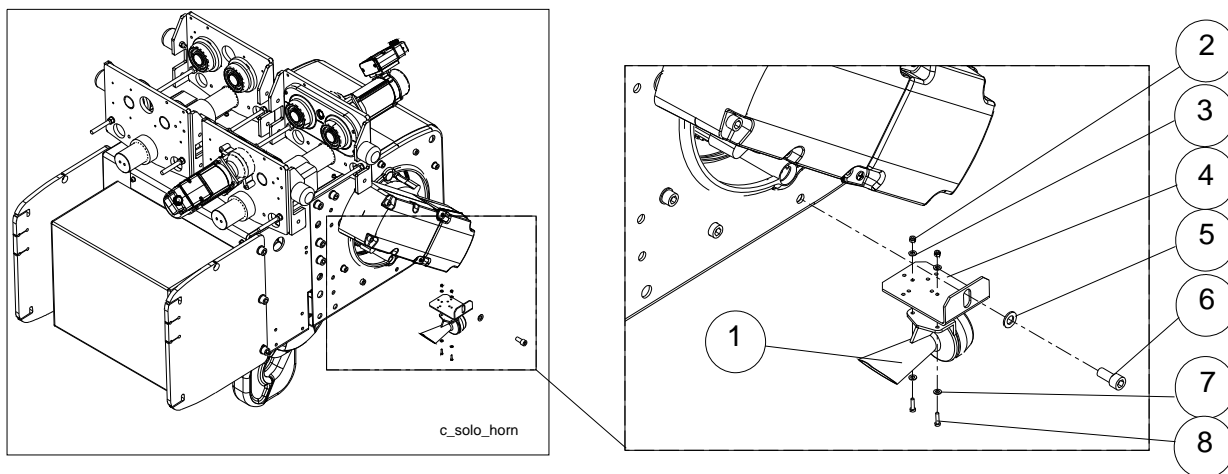
A.	The horn can be fixed to the console of the festoon assembly as near as possible to the bridge panel.
B.	In single girder cranes the horn can be assembled to the bridge panel bracket.
C.	If there is a service platform on the crane the horn can be assembled to the C-rail or handrail nearby the bridge panel

Signal horn assembly includes all the fixing part to each different fixing variation.



R&M Materials Handling, Inc.
 4501 Gateway Boulevard
 Springfield, Ohio 45502
 P.: (937) 328-5100
 FAX: (937) 325-5319

8.2 Solo hoist



Pos.	Name	Specification	Amount
1	Horn		
2	Nut	DIN985-M4-8-A3G	2
3	Washer	DIN125-A5-A3G	4
4	Fixing plate	QA-L125W80H42	1
5	Washer	Washer of frame end plate fixing screw	
6	Screw	Fixing screw of hoist frame end plate	
7	Screw	DIN84-M4X16-4.8-A2F	2