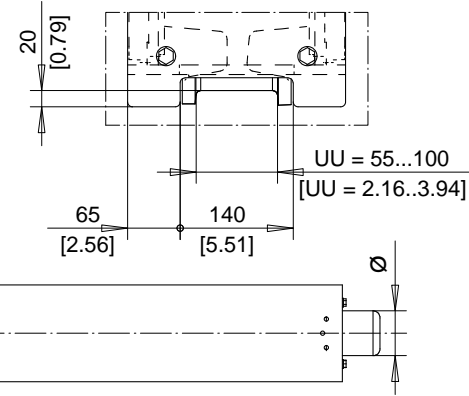


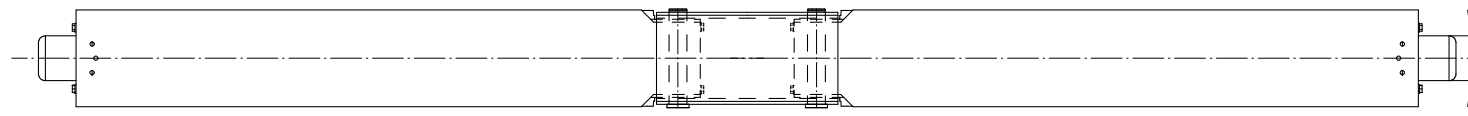
QX.RT25B

Dimensions are for reference in estimating only. Use of various modifications may affect overall dimensional outline. Where dimensions are critical, request certified drawings for construction. All dimensions are in millimeters unless otherwise noted.

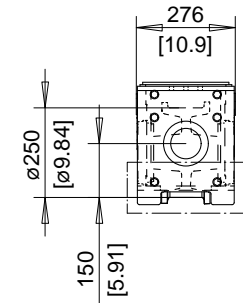
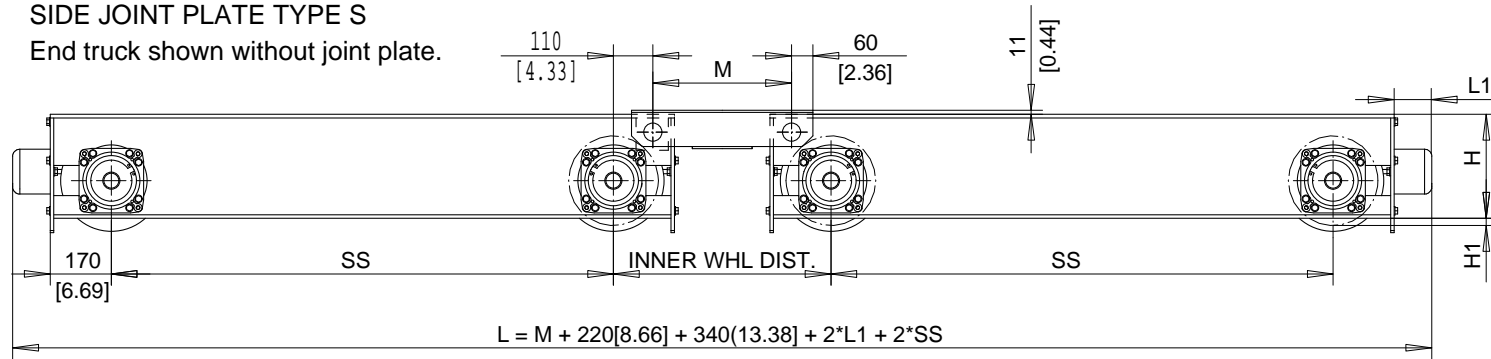
\*\*The maximum wheel loads listed are only a guideline. The maximum values are based on assumption that the crane speed is 40 m/min (130 fpm), end truck duty is Fem 2m and the runway rail width is 80 mm (3.15"). If these conditions change, use QuoteMaster to help select the end truck.



BUMPER DIMENSIONS		
TYPE	L1	∅
	mm	mm
B	68	80
C	85	100
D	105	125
E	150	100
F	190	125
H	160	160
I	200	200
M	125	125
P	240	160
S	300	200



For joint plate details, refer to drawing:  
 TOP JOINT PLATE TYPE K  
 SIDE JOINT PLATE TYPE S  
 End truck shown without joint plate.



TOTAL WGT = WGT/TRK\*2 + M\*47 kg/m[2.63 lb/in]

TOTAL WGT IS FOR ONE-HALF SET FOR CRANE

1400 mm WHEEL BASE END TRUCK SHOWN

COMPATIBLE WITH GES4/GES5 DRIVE

**RT END TRUCK**

SS mm [inch]	H mm [inch]	H1 mm [inch]	Max. dynamic whl load kN(KIP)**		WGT/TRK kg [lb]
			Single girder	Double girder	
1400 [55.12]	290 [11.42]	20 [0.79]	----	185 [41.6]	311 [686]
1600 [63]	290 [11.42]	20 [0.79]	----	185 [41.6]	331 [730]
1800 [70.9]	290 [11.42]	20 [0.79]	----	185 [41.6]	351 [774]
2000 [78.7]	290 [11.42]	20 [0.79]	----	185 [41.6]	372 [820]

Twin copy	Design	Chd	Appd	p_QX.RT25B File
	Dept	2002-10-23 Date	QX.RT25B	
	R&M MATERIALS HANDLING INC.	R&M MATERIAL HANDLING, INC		
	SPRINGFIELD, OH USA			Issue 3/2006
RT25B END TRUCK				