

# TOP JOINT PLATE TYPE L

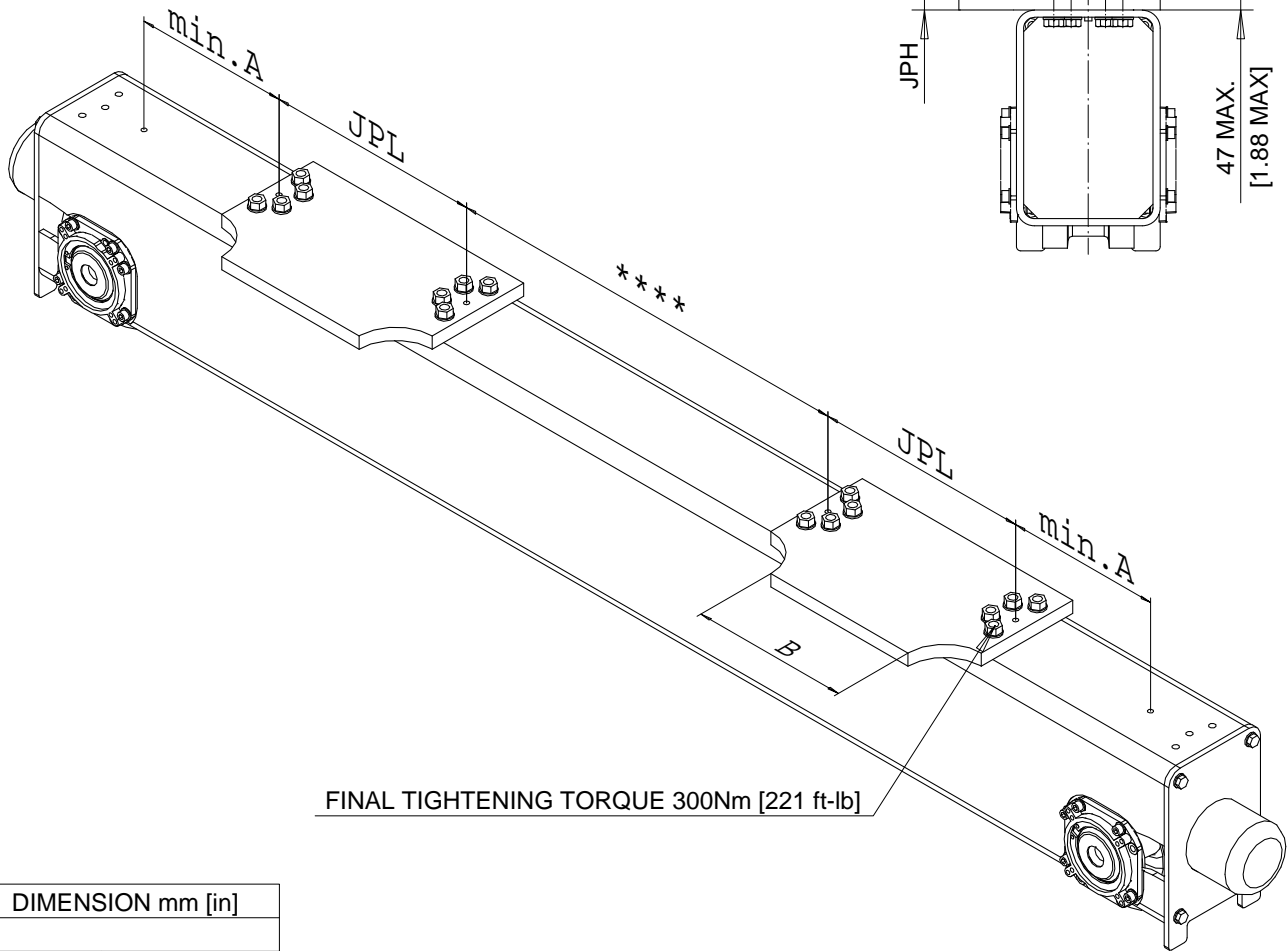
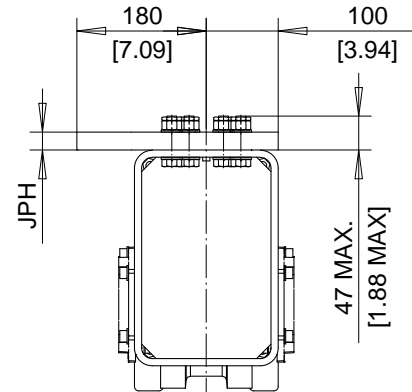
FOR RT20 END TRUCKS

DG TRUCK SHOWN

QX.JPT\_L

JOINT PLATE DIMENSIONS & WEIGHT			
VARIABLE	JOINT PLATE CODE		
	L3	L4	L5
JPL mm[in]	410 [16.14]	520 [20.47]	630 [24.80]
B mm[in]	300 [11.81]	410 [16.14]	520 [20.47]
JPH mm[in]	25 [1]	20 [0.78]	20 [0.78]
Weight kg [lb]	23 [50.0]	24 [53.0]	28 [62.0]

B = MAXIMUM BEAM FLANGE WIDTH



DIMENSION mm [in]	
TRUCK	min. A
RT20	155 [6.1]

Dimensions are for reference in estimating only. Use of various modifications may affect overall dimensional outline. Where dimensions are critical, request certified drawings for construction. All dimensions are in millimeters unless otherwise noted.

MAXIMUM **** DIMENSION mm [in] between TWO CONNECTION PLATES				Chd	Appd	p_QX.JPT_L File	
SS	RT20			2002-08-07	QX.JPT_L		
	L3	L4	L5	Date	R&M Materials Handling Inc.		
1800 [70.87]	670 [26.38]	450 [17.72]	230 [9.06]		4501 Gateway Blvd, Springfield		
2200 [86.61]	1070 [42.13]	850 [33.46]	630 [24.80]	R&M	JOINT PLATE TYPE L		
2700 [106.3]	1570 [61.81]	1350 [53.15]	1130 [44.50]	MATERIALS			Issue
3100 [122.05]	1970 [77.56]	1750 [68.90]	1530 [60.25]	HANDLING			3/2006
3800 [149.6]	2670 [105.1]	2450 [96.46]	2230 [87.80]	INC.			