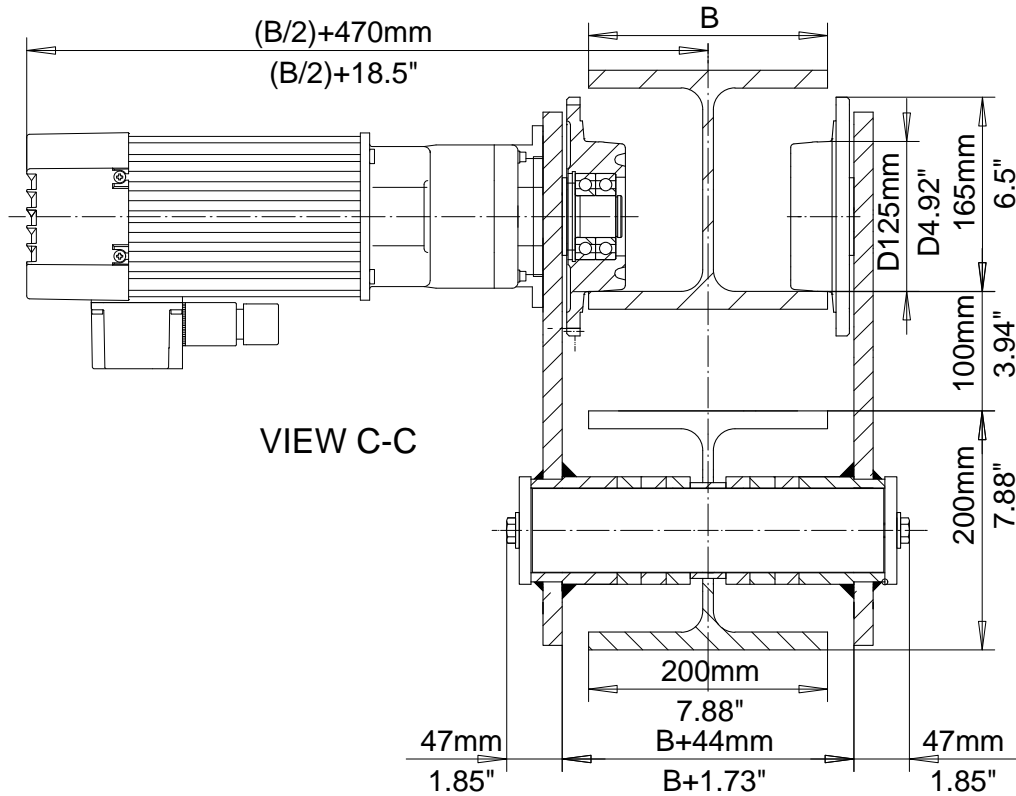
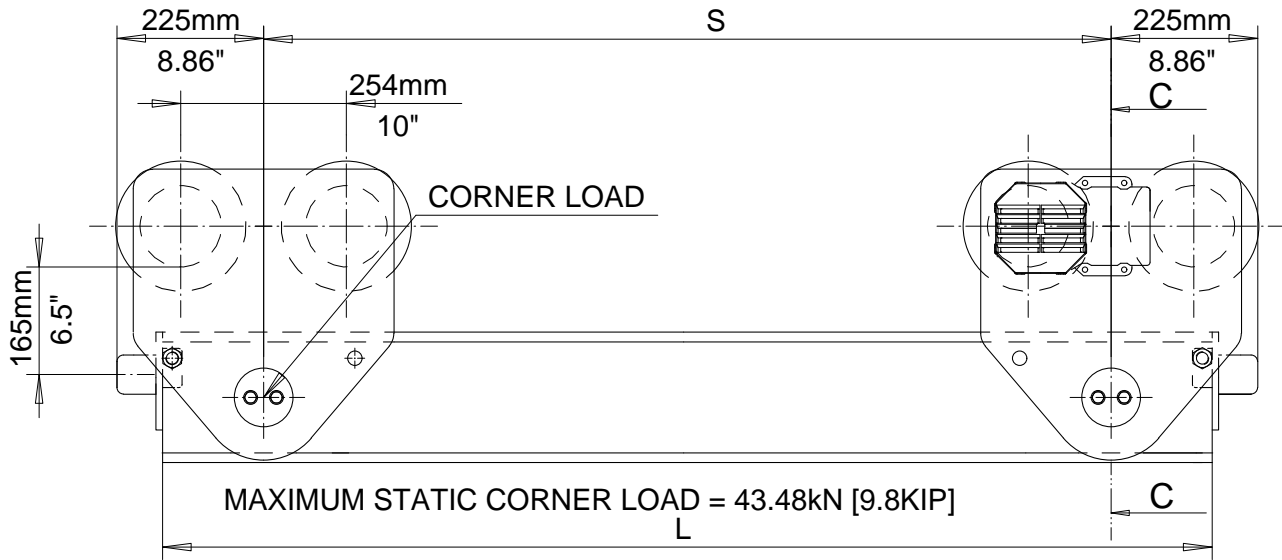


# UT13 END TRUCK

SM2000.US13



Dimensions are for reference in estimating only. Use of various modifications may affect overall dimensional outline. Where dimensions are critical, request certified drawings for construction. All dimensions are in millimeters unless otherwise noted.

## COMPONENTS - ENDTRUCK

S mm (in)	L mm (in)	B (flg width) mm (in)	Wt. kg(lb)	COMPONENTS - ENDTRUCK		
				Chd	Appd	p_SM2000.US13 File
1200(47.25)	1520 (59.84)	90-300(3.54-11.81)	246(543)	2000-07-14	SM2000.US13	R&M Materials Handling Inc.
1400(55.12)	1720 (67.72)	90-300(3.54-11.81)	258(569)	Date		
1800(70.87)	2120 (83.47)	90-300(3.54-11.81)	282(622)	R&M	4501 Gateway Blvd, Springfield	
2200(86.62)	2520 (99.21)	90-300(3.54-11.81)	307(677)	MATERIALS		
2500(98.43)	2820(111.03)	90-300(3.54-11.81)	325(717)	HANDLING	<b>UT13 END TRUCK</b>	
2800(110.24)	3120(122.83)	90-300(3.54-11.81)	344(758)	INC.		