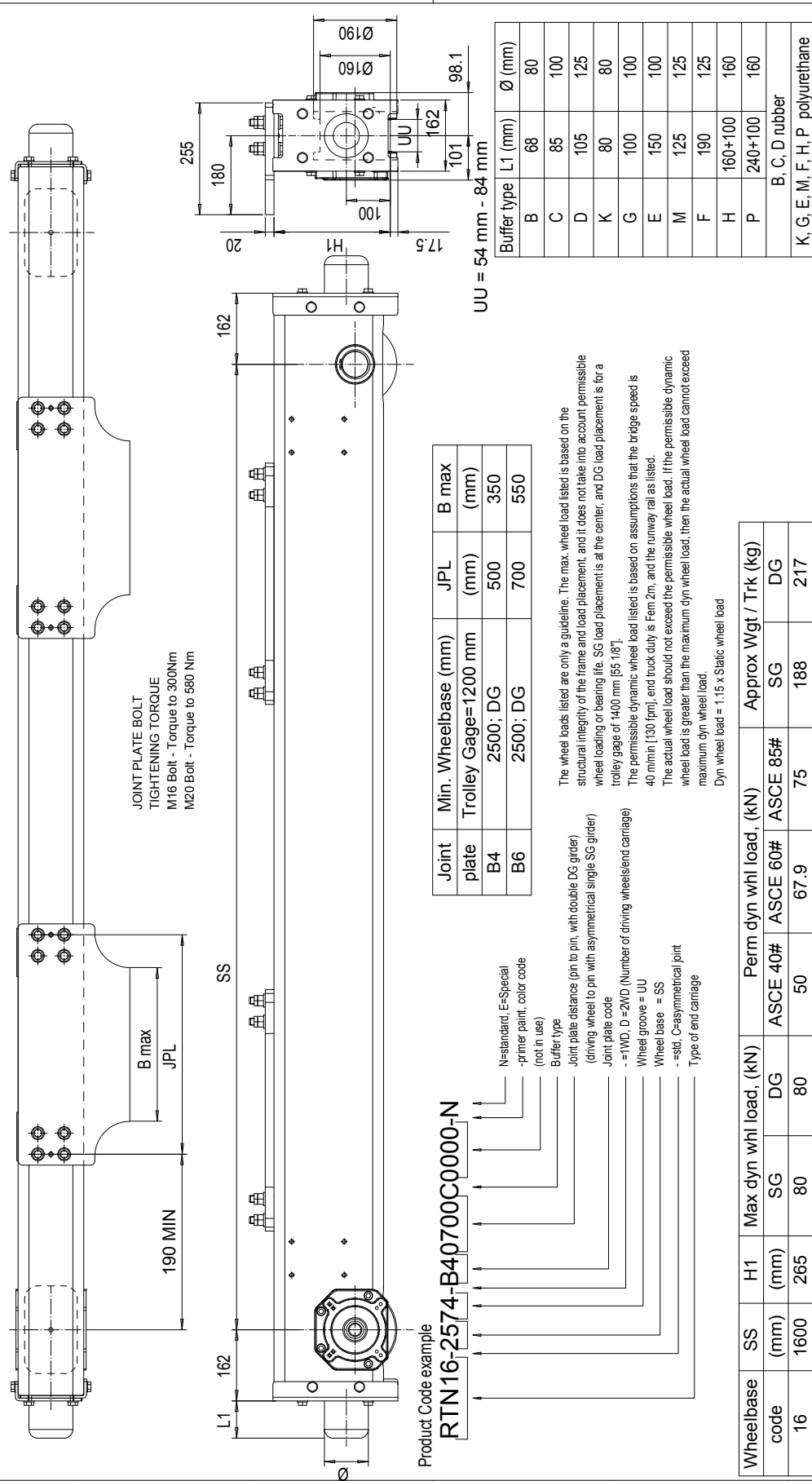


The document is the absolute property of RMI Materials Handling, Inc. This document must not be copied without the written permission of RMI Materials Handling, Inc. The contents thereof must not be disclosed to a third party nor be used for any unauthorized purpose. Contravention will be prosecuted.

# RTN16 END TRUCK TOP JOINT PLATE TYPE B



Product Code example  
RTN16-2574-B40700C0000-N

Joint plate	Min. Wheelbase (mm)	JPL (mm)	B max (mm)
B4	2500; DG	500	350
B6	2500; DG	700	550

The wheel loads listed are only a guideline. The max. wheel load listed is based on the structural integrity of the frame and load placement, and it does not take into account permissible wheel loading or bearing life. SG load placement is at the center, and DG load placement is for a trolley gage of 1400 mm [55' 10"].  
The permissible dynamic wheel load listed is based on assumptions that the bridge speed is 40 m/min [130 fpm], end truck duty is Fem 2m, and the runway rail as listed.  
The actual wheel load should not exceed the permissible wheel load. If the permissible dynamic wheel load is greater than the maximum dyn wheel load, then the actual wheel load cannot exceed maximum dyn wheel load.  
Dyn wheel load = 1.15 x Static wheel load

Wheelbase code	SS (mm)	H1 (mm)	Max dyn whl load, (kN)		Perm dyn whl load, (kN)		Approx Wgt / Trk (kg)		
			SG	DG	ASCE 40#	ASCE 60#	ASCE 85#	SG	DG
16	1600	265	80	80	50	67.9	75	188	217
20	2000	265	80	80	50	67.9	75	211	240
25	2500	265	80	80	50	67.9	75	239	268
32; DG	3150	265	-	80	50	67.9	75	-	304
32; SG	3150	315	80	-	50	67.9	75	303	-
40	4000	315	63	69	50	67.9	75	359	388
45	4500	315	44	48	50	67.9	75	391	420

Part No.	Description	Specification	Std.	Quantity
RTN16-B	END TRUCK	RTN16-B		
RTN16-B	OUTLINE DRAWING	RTN16-B		
RTN16-B	RMI MATERIALS HANDLING INC WHEELS & ROLLERS SPRINGED END	RTN16-B		

Rev. 03/2011