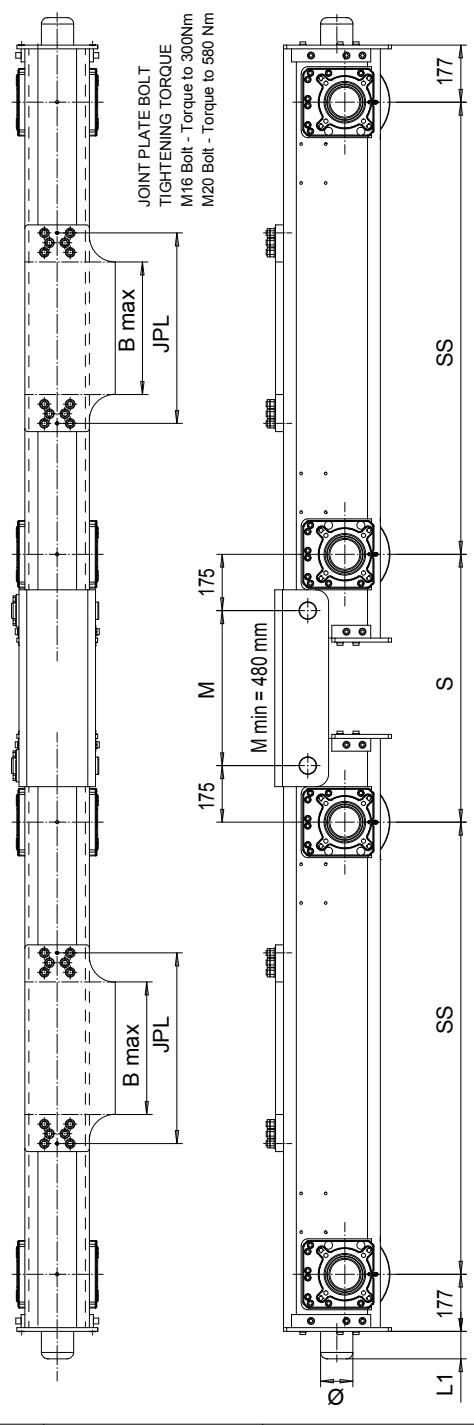


# RTN25B END TRUCK TOP JOINT PLATE TYPE H

This document is the absolute property of R&M Materials Handling, Inc. This document must not be copied without the written permission of R&M Materials Handling, Inc. The contents thereof must not be disclosed to a third party nor be used for any unauthorized purpose. Contamination will be prosecuted.



**JOINT PLATE BOLT  
 TIGHTENING TORQUE**  
 M16 Bolt - Torque to 300Nm  
 M20 Bolt - Torque to 580 Nm

Buffer type	L1, (mm)	Ø, (mm)
B	68	80
C	85	100
D	105	125
K	80	80
G	100	100
E	150	100
F	190	125
H	160	160
I	200	200
M	125	125
P	240	160
S	300	200

B, C, D rubber  
 K, G, E, F, H, I, M, P, S polyurethane

Joint plate	JPL (mm)	B max (mm)	Min. Wheelbase (mm)
H4	590	410	1400
H5	700	520	1400
H7	920	740	1400
H8	1170	990	1600

The wheel loads listed are only a guideline. The max. wheel load listed is based on the structural integrity of the frame and load placement, and it does not take into account permissible wheel loading or bearing life. SG load placement is at the center, and DG load placement is for a trolley gauge of 1400 mm [55' 1/8"].

The permissible dynamic wheel load listed is based on assumptions that the bridge speed is 40 m/min [130 fpm], end truck duty is Fem 2m, and the runway rail as listed.

If permissible dynamic wheel load is greater than the maximum dyn wheel load, use maximum dyn wheel load to select the end truck.

Dyn wheel load = 1.15 x static wheel load

**Product Code example**  
**RTN25B1474-H4-1640C-0830-N**

- ↑ Wheelbase = 1474
- ↑ Max whl load = H4
- ↑ Permissible dyn whl load = 1640
- ↑ ASCE 40 = C
- ↑ ASCE 60 = 0
- ↑ ASCE 85 = 8
- ↑ Buffer type = 1
- ↑ Joint plate code = 6
- ↑ Wheel groove = 0
- ↑ Wheel base = 3
- ↑ B = bogie
- ↑ Type of end carriage = N

N=standard, E=Special  
 -primer paint, color code  
 Inner wheel distance =S  
 Buffer type  
 Joint plate distance =PP;  
 (pin to pin, with double girder)  
 Joint plate code  
 - =1WD, D =2WD  
 Wheel groove =JU  
 Wheel base =SS  
 -B =bogie  
 Type of end carriage

Wheelbase code	SS (mm)	Max whl load (kN)	Permissible dyn whl load, (kN)	ASCE 40	ASCE 60	ASCE 85	Approx Weight (kg)
14	1400	185	85	114.6	126.5	126.5	519
16	1600	185	85	114.6	126.5	126.5	555
18	1800	185	85	114.6	126.5	126.5	590
20	2000	185	85	114.6	126.5	126.5	625
22	2200	185	85	114.6	126.5	126.5	660
25	2500	171	85	114.6	126.5	126.5	713

Pos	Description	Specification	Id	Drawing
RTN25B	Design			
2008-11-09	Date			
SELB0027	Sheet			
END TRUCK	Chd			
OUTLINE DRAWING	Appd			
RTN25B-H	Fraser			
RTN25B END TRUCK TOP JOINT	Rev			

R&M MATERIALS HANDLING INC.  
 10000 WILSON ROAD  
 WILSON, ONTARIO L9R 1Z7  
 CANADA

ECN25  
 03/2011