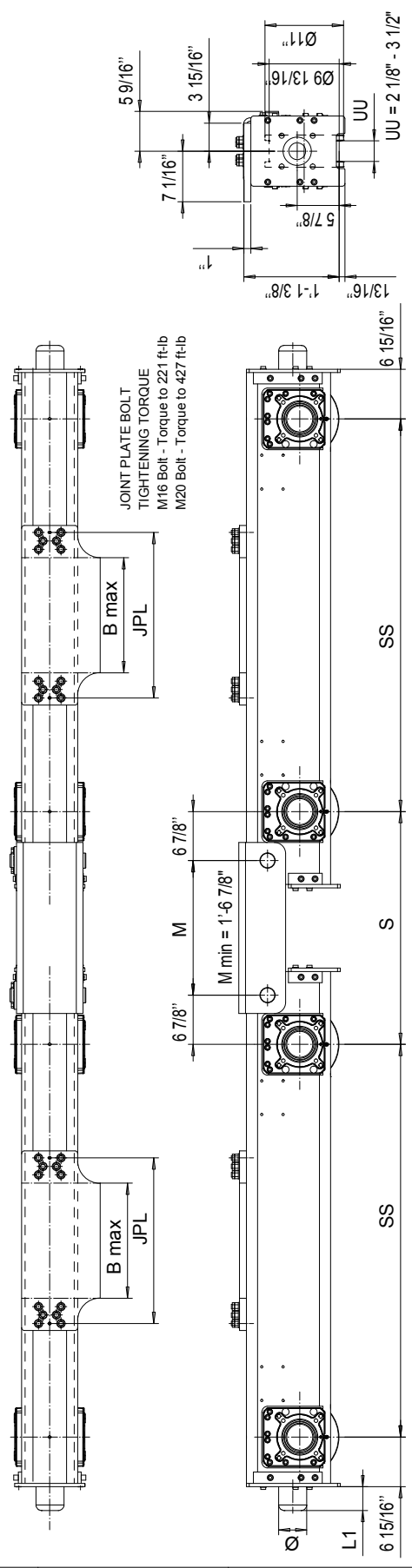


This document is the absolute property of R&M Materials Handling, Inc. This document must not be copied without the written permission of R&M Materials Handling, Inc. The contents thereof must not be disclosed to a third party nor be used for any unauthorized purpose. Contention will be prosecuted.

RTN25B END TRUCK TOP JOINT PLATE TYPE H



Buffer type	L1	Ø
B	2 11/16"	3 3/16"
C	3 5/16"	3 15/16"
D	4 1/8"	4 15/16"
K	3 3/16"	3 3/16"
G	3 15/16"	3 15/16"
E	5 15/16"	3 15/16"
F	7 1/2"	4 15/16"
H	6 5/16"	6 5/16"
I	7 7/8"	7 7/8"
M	4 15/16"	4 15/16"
P	9 7/16"	6 5/16"
S	11 13/16"	7 7/8"

B, C, D rubber
K, G, E, F, H, I, M, P, S polyurethane

Joint plate	JPL	B max	Min. Wheelbase
H4	23.23"	16 1/8"	4'-7 1/8"
H5	27.56"	20 7/16"	4'-7 1/8"
H7	36.22"	29 1/8"	4'-7 1/8"
H8	46.06"	38 15/16"	5'-3"

The wheel loads listed are only a guideline. The max. wheel load listed is based on the structural integrity of the frame and load placement, and it does not take into account permissible wheel loading or bearing life. SG load placement is at the center, and DG load placement is for a trolley gauge of 1400 mm [55 1/8"].

The permissible dynamic wheel load listed is based on assumptions that the bridge speed is 40 m/min [130 fpm], end truck duty is Fem 2m, and the runway rail as listed.

If permissible dynamic wheel load is greater than the maximum dyn wheel load, use maximum dyn wheel load to select the end truck.

Dyn wheel load = 1.15 x static wheel load

Wheelbase code	SS	Max dyn whl load (kip)	Permissible dyn whl load, (kip)	ASCE 40	ASCE 60	ASCE 85	Approx Weight (lb)
14	4'-7 1/8"	41.63	19.1	25.8	28.4	28.4	1145
16	5'-3"	41.63	19.1	25.8	28.4	28.4	1224
18	5'-10 7/8"	41.63	19.1	25.8	28.4	28.4	1301
20	6'-6 3/4"	41.63	19.1	25.8	28.4	28.4	1379
22	7'-2 5/8"	41.63	19.1	25.8	28.4	28.4	1456
25	8'-2 7/16"	38.48	19.1	25.8	28.4	28.4	1573

Product Code example: RTN25B1474-H4-1640C-0830-N

- RTN25B: RTN=RTN25B, 1474=Wheelbase code
- H4: Joint plate code
- 1640C: Wheel groove =JU, Wheel base =SS
- 0830: Buffer type
- N: N=standard, E=Special

- primer paint, color code
 - Inner wheel distance =S
 - Buffer type
 - Joint plate distance =PP;
 (pin to pin, with double girder)
 - =1WD, D =2WD
 - Wheel groove =JU
 - Wheel base =SS
 - B =bogie
 - Type of end carriage

Pos	Description	Specification	Id	Drawing
RTN25B				
2008-12-09				
SLR0007				
END TRUCK				
OUTLINE DRAWING				
RTN25B-H				
RTN25B END TRUCK TOP JOINT				

R&M MATERIALS HANDLING, INC.
 1000 WILSON ROAD
 WILSON, NJ 07094
 TEL: 908-675-1000
 FAX: 908-675-1001
 WWW.RMATERIALS.COM

ECN25
 03/2011