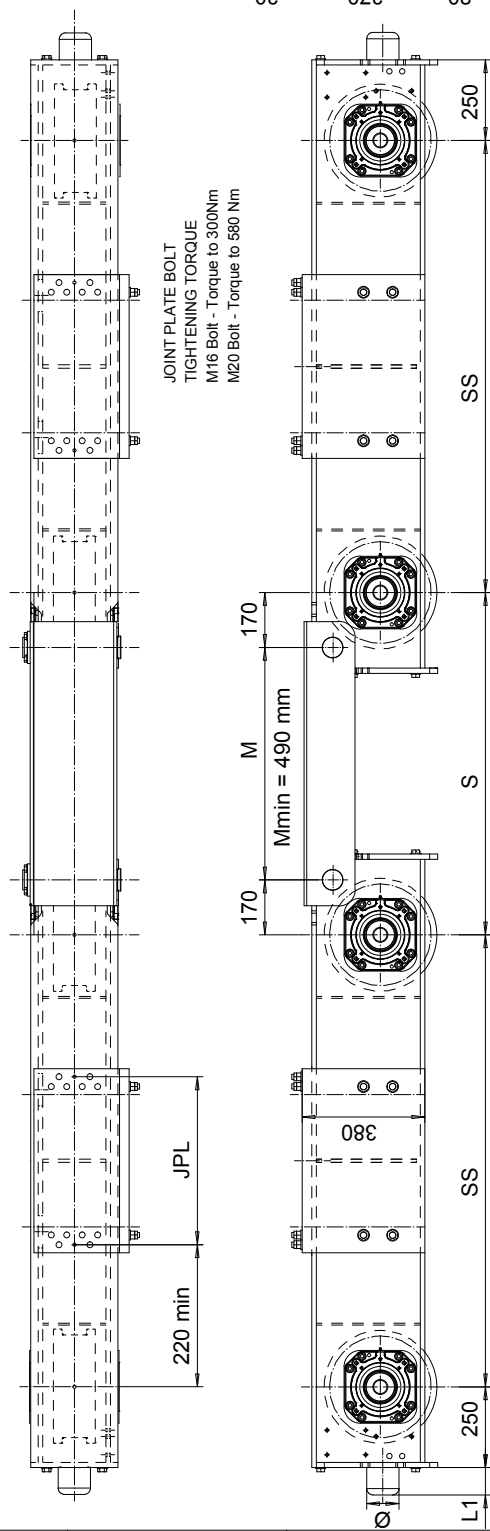


This document is the absolute property of R&M Materials Handling, Inc. This document must not be copied without the written permission of R&M Materials Handling, Inc. The contents thereof must not be disclosed to a third party nor be used for any unauthorized purpose. Contravention will be prosecuted.

RTN32B END TRUCK SIDE JOINT PLATE TYPE Q



Joint plate	JPL (mm)	B max (mm)	Wheelbase code
Q3	520	410	14-20
Q5	630	520	14-20
Q7	850	740	14-20
Q9	1100	990	16-20

The wheel loads listed are only a guideline. The max. wheel load listed is based on the structural integrity of the frame and load placement, and it does not take into account permissible wheel loading or bearing life. Load placement is assumed at the center of each truck. The permissible dynamic wheel load listed is based on assumptions that the bridge speed is 40 m/min (130 fpm), end truck duty is Fern 2m, and the runway rail is as listed. The actual wheel load should not exceed the permissible wheel load. If the permissible dynamic wheel load is greater than the maximum dyn wheel load, then the actual wheel load cannot exceed maximum dyn wheel load.
Dynamic wheel load = 1.15 x static wheel load

Buffer type	L1, (mm)	Ø, (mm)
B	68	80
C	85	100
D	105	125
E	150	100
F	190	125
H	160	160
I	200	200
M	125	125
P	240	160
S	300	200
T	350	250
Y	475	250

B, C, D rubber
E, F, H, I, M, P, S, T, Y polyurethane

Product Code example
RTN32B1474-K41940C0000-N

- RTN32B: RTN32B End Truck
- 1474: Wheelbase code
- K4: 1WD (Number of driving wheels/truck)
- 1940: Wheel groove = UU, mm
- C: Wheel base = SS, mm
- 0000: -std, B=bogie
- N: Type of end carriage

N=standard, E=Special
 -primer paint, color code
 (not in use with RTN32)
 Buffer type
 Joint plate distance, mm (pin to pin, with DG)
 Joint plate code
 - = 1WD, D = 2WD (Number of driving wheels/truck)
 Wheel groove = UU, mm
 Wheel base = SS, mm
 -std, B=bogie
 Type of end carriage

Wheelbase code	SS (mm)	Max dyn whl load (kN)	Permissible dyn whl load (kN)	Approx Wt./Trk, kg
14	1400	253	ASCE 40 112, ASCE 60 150, ASCE 85 166.5, BETH 135 219	1334
16	1600	253	ASCE 40 112, ASCE 60 150, ASCE 85 166.5, BETH 135 219	1388
18	1800	253	ASCE 40 112, ASCE 60 150, ASCE 85 166.5, BETH 135 219	1440
20	2000	253	ASCE 40 112, ASCE 60 150, ASCE 85 166.5, BETH 135 219	1492

Rev	Description	Specification	Id	Drawing
1	RTN32B Design	RTN32B CHD		
2	2008-08-11			END TRUCK
3	08/20/07			OUTLINE DRAWING
4				RTN32B-Q
5				RTN32B END TRUCK SIDE JOINT

R&M MATERIALS HANDLING, INC.
 RUMBERLAND, OHIO
 43081-0001