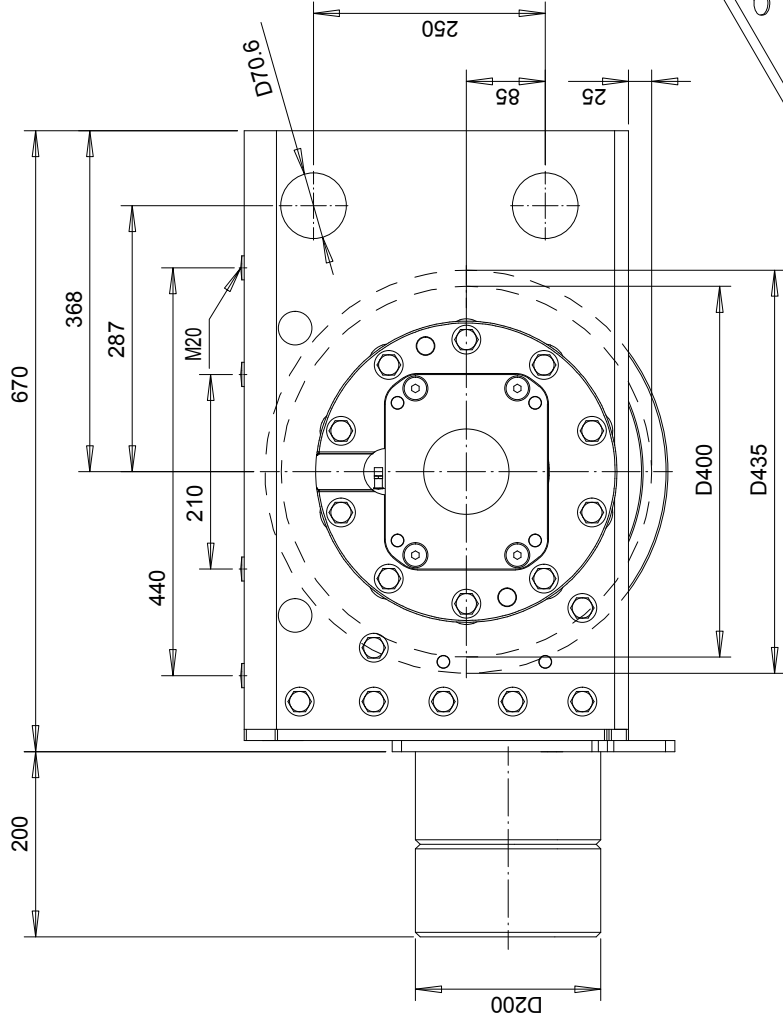
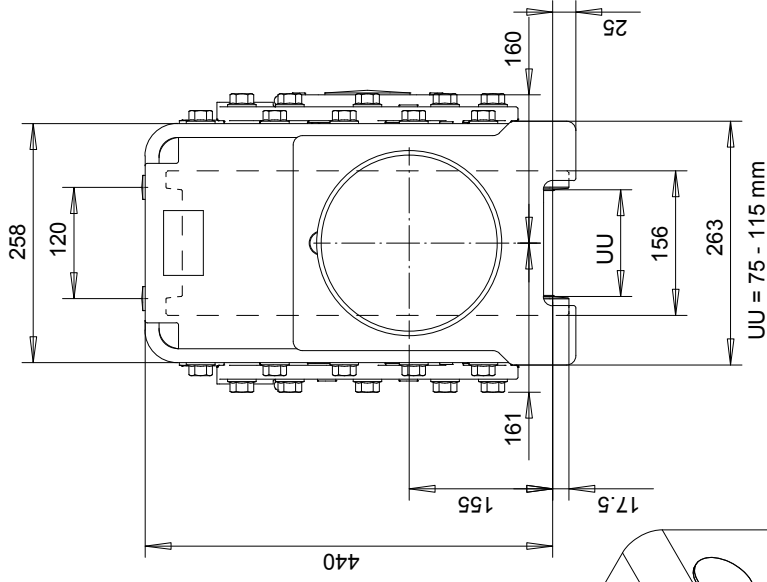


WB-R400 WHEEL BLOCK



Wheel Block with drive wheel shown



See technical guide for maximum permissible wheel loads.

Weight: 231 kg

Drive: GES5

Acceptable rail: 60 mm, 70 mm, 80 mm, 100 mm, 2 1/2", 3", 3 1/2"
ASCE 60, ASCE 80, ASCE 85, BETH 135

Orientation: Right-hand or Left-hand

Configuration: Idler or Driven

R&M
MATERIALS
HANDLING
INC

WB-R400 WHEEL BLOCK

D006921-A

5/2011