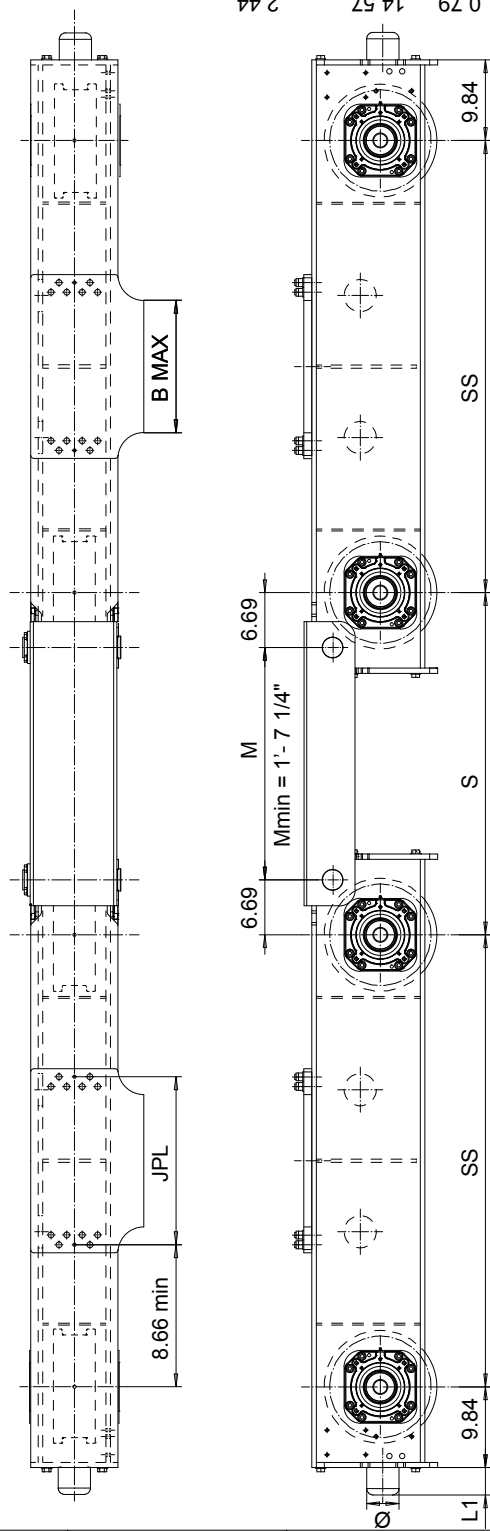


### RTN32B END TRUCK TOP JOINT PLATE TYPE K

This document is the absolute property of R&M Materials Handling, Inc. This document must not be copied without the written permission of R&M Materials Handling, Inc. The contents thereof must not be disclosed to a third party nor be used for any unauthorized purpose. Contravention will be prosecuted.



Buffer type	L1	Ø
B	2 11/16"	3 3/16"
C	3 5/16"	3 15/16"
D	4 1/8"	4 15/16"
E	5 15/16"	3 15/16"
F	7 1/2"	4 15/16"
H	6 5/16"	6 5/16"
I	7 7/8"	7 7/8"
M	4 15/16"	4 15/16"
P	9 7/16"	6 5/16"
S	11 13/16"	7 7/8"
T	13 3/4"	9 7/8"
Y	18 3/4"	9 7/8"

B, C, D rubber  
 K, G, E, F, H, I, M, P, S polyurethane

Joint plate	JPL	B max
K4	20.47"	16.14"
K5	24.80"	20.47"
K7	33.46"	19.13"
K9	43.31"	38.98"

Minimum wheelbase with K9 joint plate is 5'-3".

The wheel loads listed are only a guideline. The max. wheel load listed is based on the structural integrity of the frame and load placement, and it does not take into account permissible wheel loading or bearing life. Load placement is assumed at the center of each truck. The permissible dynamic wheel load listed is based on assumptions that the bridge speed is 40 minin [130 fpm], end truck duty is Fem 2m, and the runway rail is as listed. The actual wheel load should not exceed the permissible wheel load. If the permissible dynamic wheel load is greater than the maximum wheel load, then the actual wheel load cannot exceed maximum wheel load.

Product Code example

**RTN32B1474-K41940C0000-N**

- RTN32B: RTN32B (Truck)
- 1474: 1474 (Wheelbase)
- K4: K4 (Joint plate)
- 1940: 1940 (Wheelbase)
- C: C (Buffer type)
- 0000: 0000 (Joint plate distance)
- N: N (Joint plate code)

N=standard, E=Special  
 -primer paint, color code  
 (not in use with RTN32)  
 Buffer type  
 Joint plate distance, mm (pin to pin, with DG)  
 Joint plate code  
 - =1WD, D =2WD (Number of driving wheels/truck)  
 Wheel groove = UU, mm  
 Wheel base = SS, mm  
 -std, B=bogie  
 Type of end carriage

Wheelbase code	SS	Max whl load (kip)	ASCE 40	ASCE 60	ASCE 85	BETH 135	Approx. Wt./Trk, lb
14	4'-7 7/8"	56.93	21.38	29.7	32.18	38.48	2276
16	5'-3"	56.93	21.38	29.7	32.18	38.48	2391
18	5'-10 7/8"	56.93	21.38	29.7	32.18	38.48	2506
20	6'-6 3/4"	56.93	21.38	29.7	32.18	38.48	2621

Rev: \_\_\_\_\_ Description: L10- Specifications: L10-10

RTN32B  
 2008-08-11  
 Date: \_\_\_\_\_

END TRUCK  
 OUTLINE DRAWING  
 RTN32B-K  
 RTN32B END TRUCK TOP JOINT

R&M MATERIALS HANDLING, INC.  
 10000 W. 100th St.  
 Overland Park, MO 66210