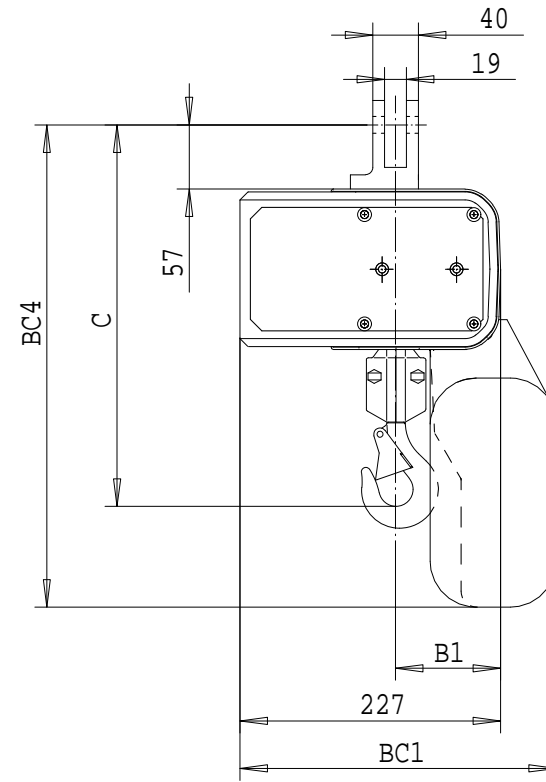
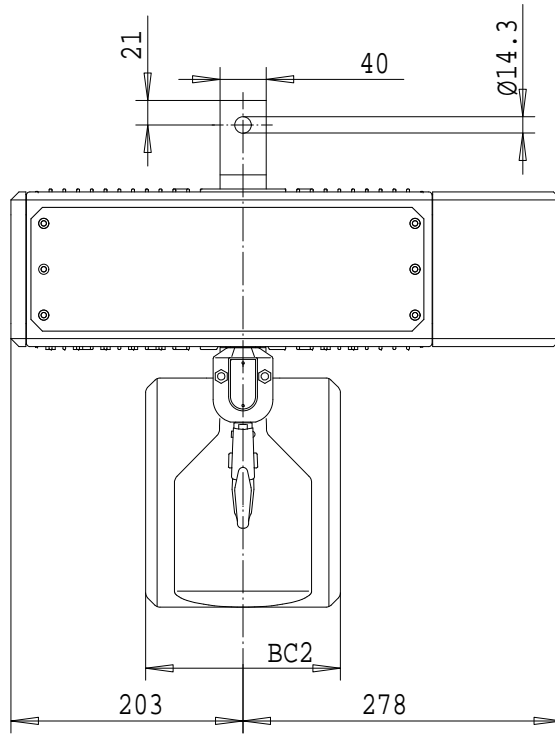


Dimensions are for reference in estimating only. Use of various modifications may affect overall dimensional outline. Where dimensions are critical, request certified drawings for construction. All dimensions are in millimeters unless otherwise noted.

2213417104



	C	B1	BC1				BC2				BC4			
LIFT	---	---	<8m	<16m	<30m	<46m	<8m	<16m	<30m	<46m	<8m	<16m	<30m	<46m
1 FALL	335	91	276	316	311	311	160	150	150	320	425	485	550	550
LIFT	---	---	<4m	<8m	<15m	<23m	<4m	<8m	<15m	<23m	<4m	<8m	<15m	<23m
2 FALLS	385	112	276	316	311	311	160	150	150	320	425	485	550	550

SINGLE-PHASE CHAIN HOIST

LOADMATE CHAIN HOIST MODEL NUMBER								TROLLEY DIMENSIONS						Chd	Appd	p_2213417104 File
FR	CAP Kg	LFT m	SUSP	1 SPEED m/MIN	2 SPEED m/MIN(4:1)	FALL	FLG CODE	FLG CODE	FLANGE RANGES	MAX. TD	MAX TW	MIN. WS	MAX FLG THK	2001-01-11 Date	2213417104	
LM05	250	3	LMX	4.9S	---	1	---	---	---	---	---	---	---		R&M Materials Handling Inc.	
LM05	500	3	LMX	4.9S	---	1	---								4501 Gateway Blvd, Springfield	
LM05	1000	3	LMX	2.4S	---	2	---								LM05 LMX HOIST	
															Issue	02/2007