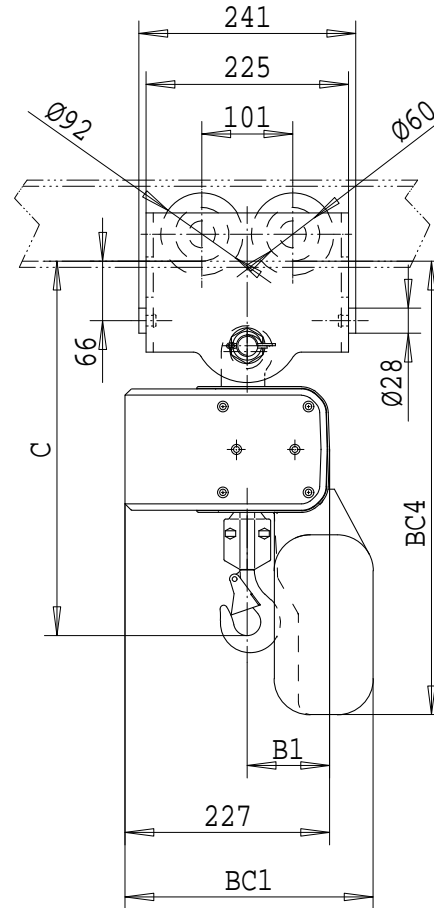
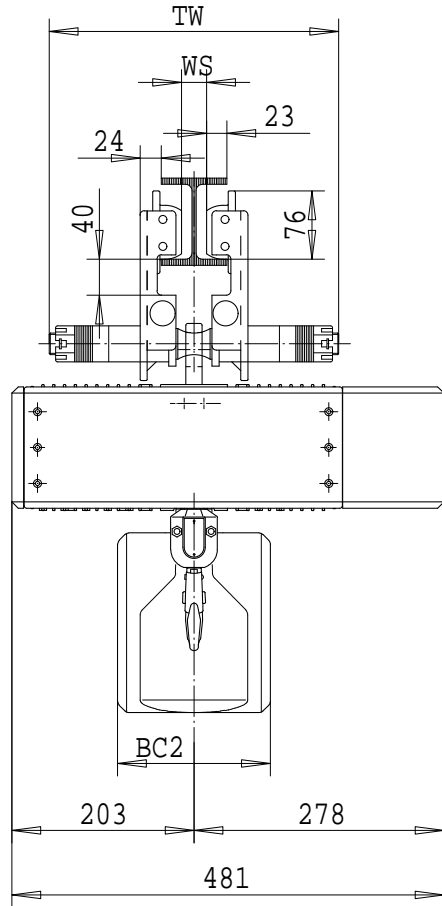


Dimensions are for reference in estimating only. Use of various modifications may affect overall dimensional outline. Where dimensions are critical, request certified drawings for construction. All dimensions are in millimeters unless otherwise noted.

**For 1-fall, see outline drawing 2213417106 for dimensions



	C	B1	BC1				BC2				BC4			
LIFT			<4m	<8m	<15m	<25m	<4m	<8m	<15m	<25m	<4m	<8m	<15m	<25m
2 FALLS	478	112	276	316	311	311	160	150	320	320	508	568	633	633

Minimum radius curve: 1 meter

SINGLE-PHASE CHAIN HOIST

LOAD MATE CHAIN HOIST MODEL NUMBER								TROLLEY DIMENSIONS						Chd	Appd	p_2213417107 File
FR	CAP Kg	LIFT m	SUSP	1 SPEED m/MIN	2 SPEED m/MIN(4:1)	FALL	FLG CODE	FLG CODE	FLANGE RANGES	MAX. TD	MAX TW	MIN. WS	MAX FLG THK	2003-01-20 Date	2213417107	
LM05	1000	3	PT	2.4S	---	2	1,2	1	65 - 200	**	322	19	35	R&M MATERIALS HANDLING INC.	R&M Materials Handling Inc.	
								2	200 - 310	**	430	154	35		4501 Gateway Blvd, Springfield	
									**						LM05 PT HOIST	
																Issue 02/2007

2213417107