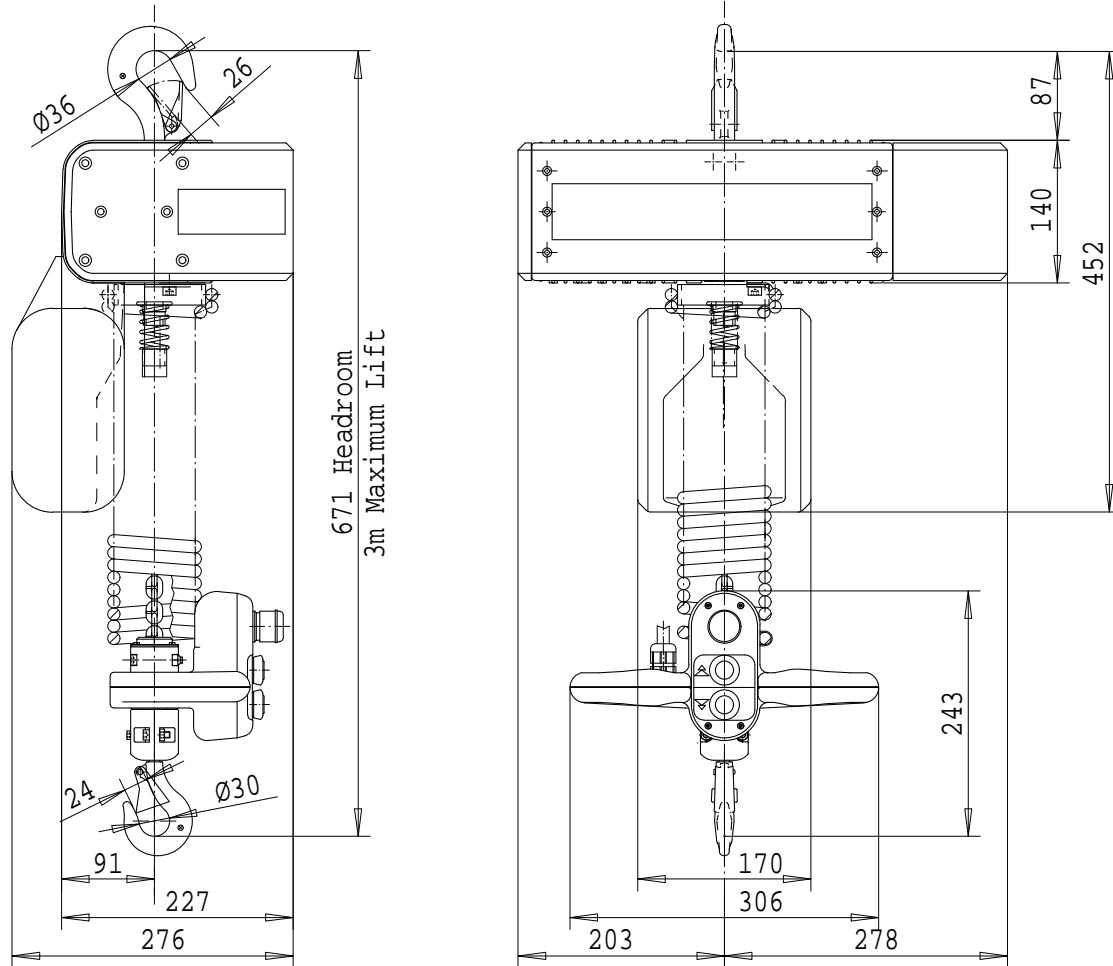


Dimensions are for reference in estimating only. Use of various modifications may affect overall dimensional outline. Where dimensions are critical, request certified drawings for construction. All dimensions are in millimeters unless otherwise noted.

# SINGLE-PHASE CHAIN HOIST

2213417110



Note: Digichain option - available only for single fall

LOAD MATE CHAIN HOIST MODEL NUMBER							FLG CODE	TROLLEY DIMENSIONS						Chd	Appd	p_2213417110 File
FR	CAP Kg	LFT m	SUSP	1 SPEED m/MIN	2 SPEED m/MIN(4:1)	FALL		FLG CODE	FLANGE RANGES	MAX. TD	MAX TW	MIN. WS	MAX FLG THK	2003-03-31 Date	2213417110	
LM05	250	3	TH	4.9S	---	1	---	---	---	---	---	---		R&M	R&M Materials Handling Inc.	
LM05	500	3	TH	4.9S	---	1	---							MATERIALS	4501 Gateway Blvd, Springfield	
														HANDLING		
														INC.	LM05 DIGICHAIN 1PH <span style="float: right;">Issue 02/2007</span>	