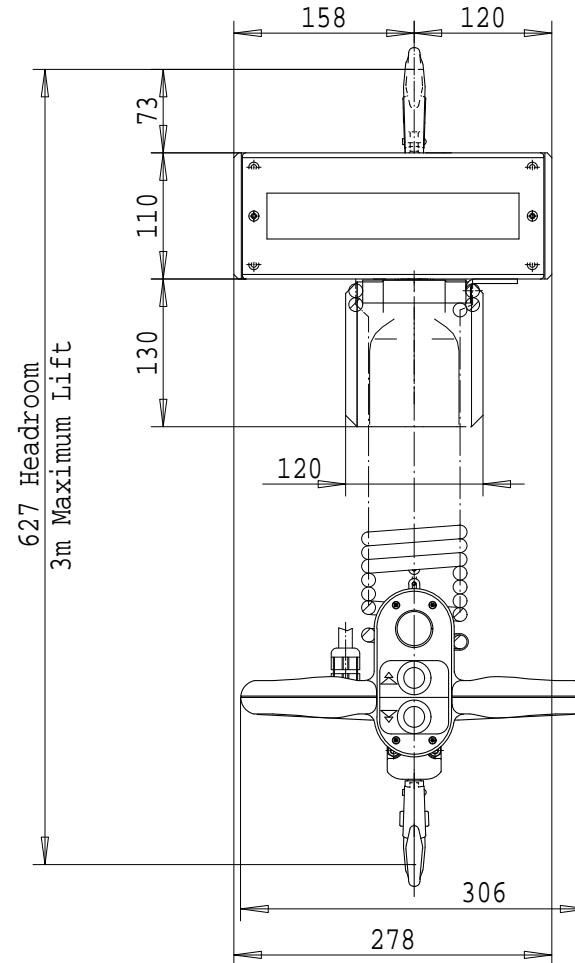
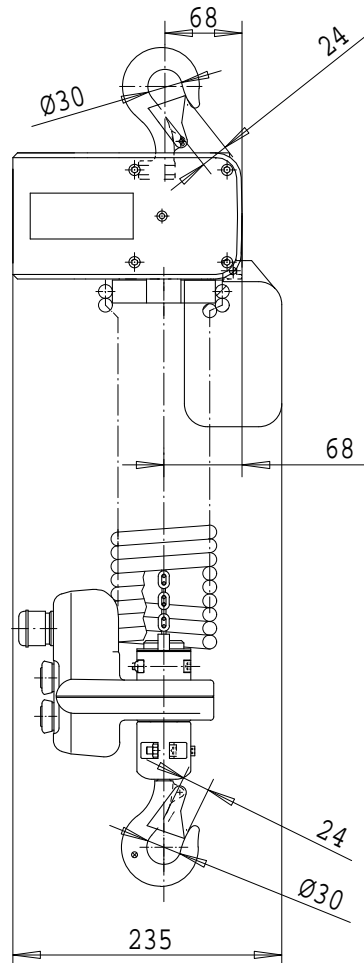


Dimensions are for reference in estimating only. Use of various modifications may affect overall dimensional outline. Where dimensions are critical, request certified drawings for construction. All dimensions are in millimeters unless otherwise noted.

SINGLE-PHASE CHAIN HOIST

2213417109



Note: Digichain option - available only for single fall

| LOAD MATE CHAIN HOIST MODEL NUMBER | | | | | | | TROLLEY DIMENSIONS | | | | | | | Chd | Appd | p_2213417109 File |
|------------------------------------|-----------|----------|------|------------------|-----------------------|------|--------------------|-------------|---------------|------------|-----------|------------|----------------|--------------------------------------|---|----------------------|
| FR | CAP Kg | LFT m | SUSP | 1 SPEED m/MIN | 2 SPEED m/MIN(4:1) | FALL | FLG CODE | FLG CODE | FLANGE RANGES | MAX. TD | MAX TW | MIN. WS | MAX FLG THK | 2003-03-31 Date | 2213417109 | |
| LM1 | 125 | 3 | TH | 4.9S | --- | 1 | --- | --- | --- | --- | --- | --- | --- | R&M MATERIALS HANDLING INC. | R&M Materials Handling Inc. 4501 Gateway Blvd, Springfield | Issue 02/2007 |
| | | | | | | | | | | | | | | | LM1 DIGICHAIN | |