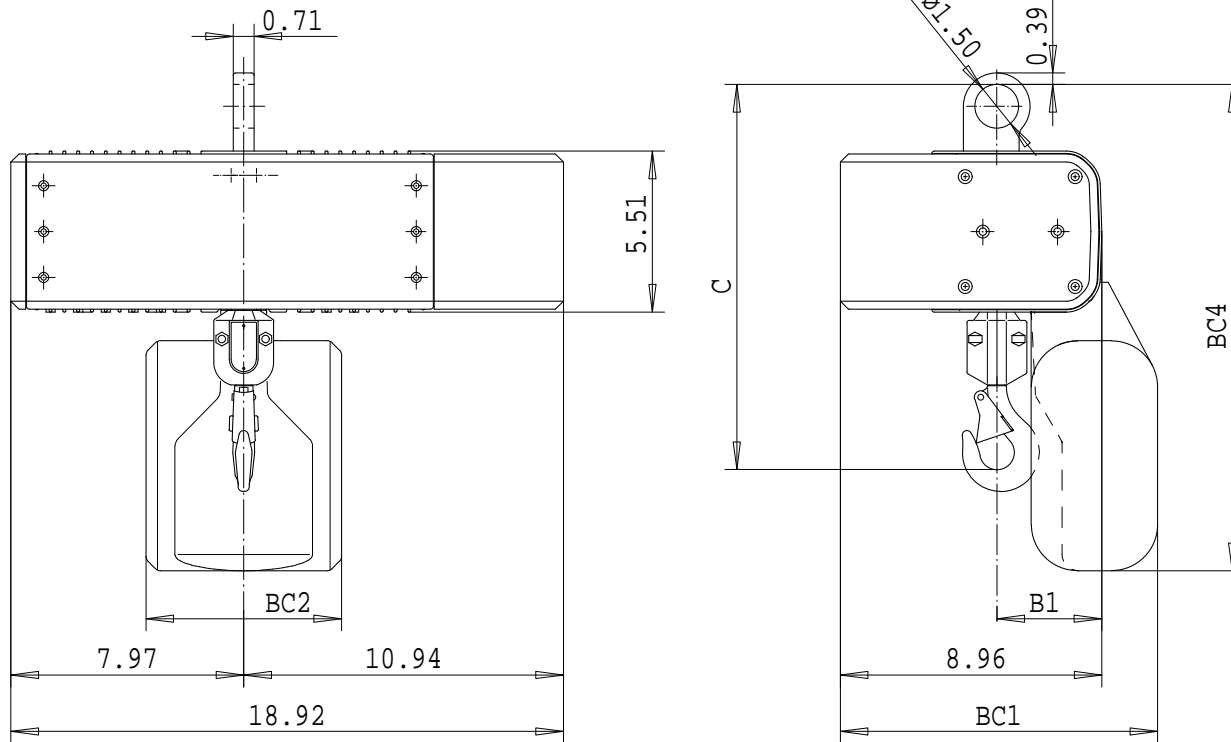


Dimensions are for reference in estimating only. Use of various modifications may affect overall dimensional outline. Where dimensions are critical, request certified drawings for construction. All dimensions are in inches unless otherwise noted.

2213417108



	C	B1	BC1				BC2				BC4			
LIFT	---	---	<25ft	<50ft	<100ft	<150ft	<25ft	<50ft	<100ft	<150ft	<25ft	<50ft	<100ft	<150ft
1 FALL	13.19	3.58	10.87	12.44	12.24	12.24	6.30	5.91	12.60	12.60	16.77	19.13	21.69	21.69
LIFT	---	---	<13ft	<25ft	<50ft	<75ft	<13ft	<25ft	<50ft	<75ft	<13ft	<25ft	<50ft	<75ft
2 FALLS	15.16	4.41	10.87	12.44	12.24	12.24	6.30	5.91	12.60	12.60	16.77	19.13	21.69	21.69

SINGLE-PHASE CHAIN HOIST

LOAD MATE CHAIN HOIST MODEL NUMBER								TROLLEY DIMENSIONS						Chd	Appd	p_2213417108 File
FR	CAP TON	LFT FT	SUSP	1 SPEED FPM	2 SPEED FPM(4:1)	FALL	FLG CODE	FLG CODE	FLANGE RANGES	MAX. TD	MAX TW	MIN. WS	MAX FLG THK	2003-04-22 Date	2213417108	
LM05	1/4	10	LP	16S	----	1	---	---	---	---	---	---	---	R&M MATERIALS HANDLING INC.	R&M Materials Handling Inc.	
LM05	1/2	10	LP	16S	---	1	---						4501 Gateway Blvd, Springfield			
LM05	1	10	LP	8S	---	2	---						LM05 LP HOIST			
															Issue	02/2007