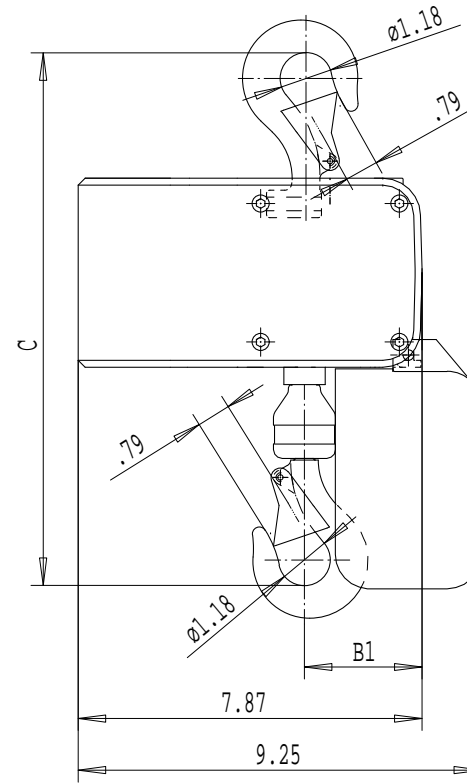
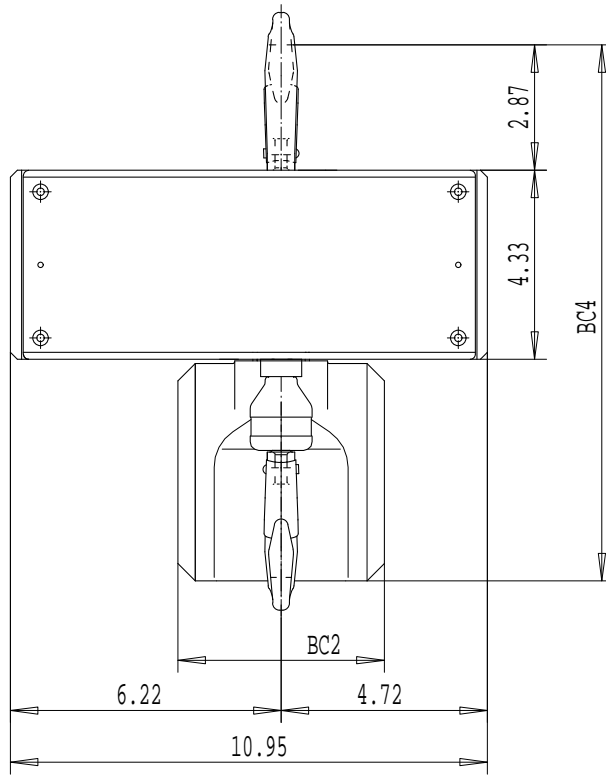


Dimensions are for reference in estimating only. Use of various modifications may affect overall dimensional outline. Where dimensions are critical, request certified drawings for construction. All dimensions are in inches unless otherwise noted.

2213417099



	C	B1	BC2			BC4		
LIFT			<25ft	<50ft	<100ft	<25ft	<50ft	<100ft
1 FALL	12.21	2.68	4.72	5.12	5.12	12.28	14.72	18.07

SINGLE-PHASE CHAIN HOIST

LOADMATE CHAIN HOIST MODEL NUMBER								TROLLEY DIMENSIONS						Chd	Appd	p_2213417099 File
FR	CAP TON	LIFT FT	SUSP	1 SPEED FPM	2 SPEED FPM(4:1)	FALL	FLG CODE	FLG CODE	FLANGE RANGES	MAX. TD	MAX. TW	MIN. WS	MAX. FLG THK	2001-01-19 Date	2213417099	
LM1	1/8	10	TH	16S	---	1	---	---	---	---	---	---	---		R&M Materials Handling Inc.	
															4501 Gateway Blvd, Springfield	
															LM1 TH HOIST	
															Issue	02/2007