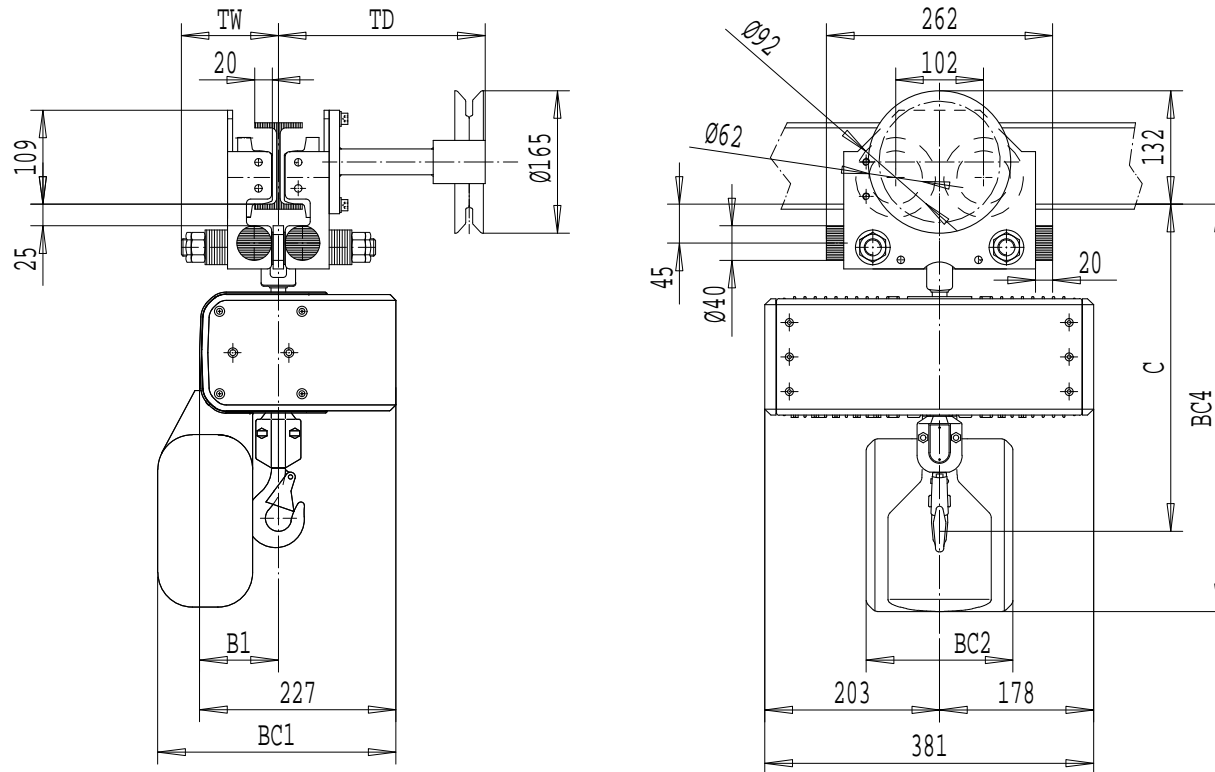


2213417080

Dimensions are for reference in estimating only. Use of various modifications may affect overall dimensional outline. Where dimensions are critical, request certified drawings for construction. All dimensions are in millimeters unless otherwise noted.



	C	B1	BC1				BC2				BC4			
LIFT			<8m	<16m	<30m	<50m	<8m	<16m	<30m	<50m	<8m	<16m	<30m	<50m
1 FALL	379	91	276	316	311	311	170	160	160	320	470	530	595	595
LIFT			<4m	<8m	<15m	<25m	<4m	<8m	<15m	<25m	<4m	<8m	<15m	<25m
2 FALLS	458	112	276	316	311	311	170	160	160	320	470	530	595	595

LOAD MATE CHAIN HOIST MODEL NUMBER								TROLLEY DIMENSIONS						Chd	Appd	p_2213417080 File
FR	CAP Kg	LIFT m	SUSP	1 SPEED m/MIN	2 SPEED m/MIN(4:1)	FALL	FLG CODE	FLG CODE	FLANGE RANGES	MAX. TD	MAX. TW	MIN. WS	MAX FLG THK	2003-04-08 Date	2213417080	
LM05	250	3	HGX	4.9S,9.8S	9.8T	1	1 - 5	1	58 - 100	262	113	---	20	R&M MATERIALS HANDLING INC.	R&M Materials Handling Inc.	
LM05	500	3	HGX	4.9S,9.8S	9.8T	1	1 - 5	2	106 - 150	287	135	---	20		4501 Gateway Blvd, Springfield	
LM05	1000	3	HGX	---	4.9T	2	1 - 5	3	155 - 200	312	160	---	20		LM05 HGX	
								4	206 - 248	336	185	---	20		Issue	
								5	260 - 307	366	215	---	20		02/2007	