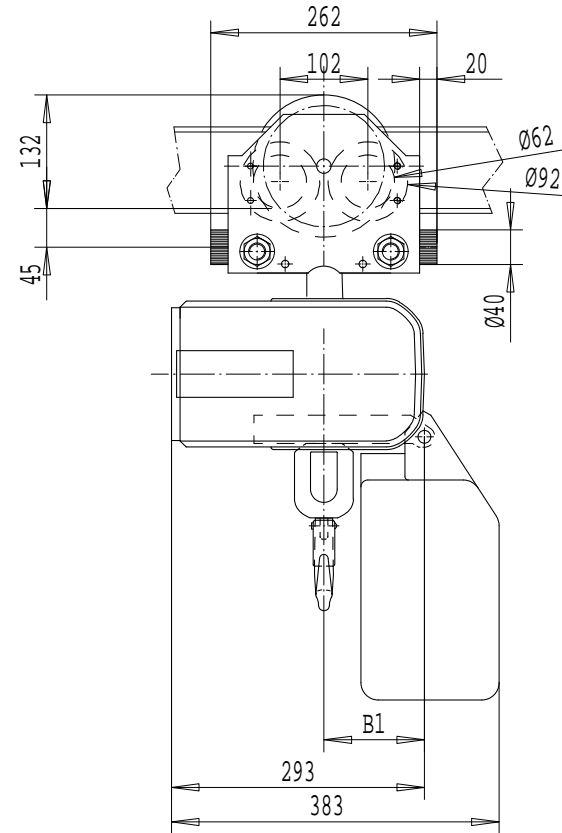
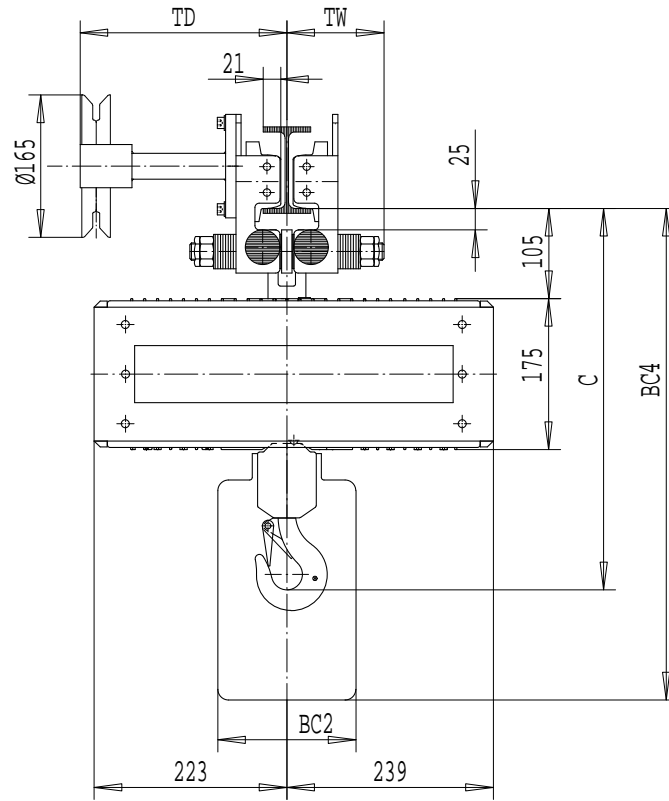


2213417081

Dimensions are for reference in estimating only. Use of various modifications may affect overall dimensional outline. Where dimensions are critical, request certified drawings for construction. All dimensions are in millimeters unless otherwise noted.



	C	B1	BC2				BC4			
LIFT	---	---	<8m	<16m	<30m	<50m	<8m	<16m	<30m	<50m
1 FALL	463	116	160	150	320	320	590	655	655	775
LIFT	---	---	<4m	<8m	<15m	<25m	<4m	<8m	<15m	<25m
2 FALLS	524	145	160	150	320	320	590	655	655	775

LOAD MATE CHAIN HOIST MODEL NUMBER							FLG CODE
FR	CAP Kg	LFT m	SUSP	1 SPEED m/MIN	2 SPEED m/MIN(4:1)	FALL	
LM10	500	3	HG	---	19.5T	1	1 - 5
LM10	1000	3	HG	4.9S,9.8S	9.8T	1	1 - 5

TROLLEY DIMENSIONS					
FLG CODE	FLANGE RANGES	MAX. TD	MAX. TW	MIN. WS	MAX FLG THK
1	58 - 100	262	113	---	20
2	106 - 150	287	135	---	20
3	155 - 200	312	160	---	20
4	206 - 248	336	185	---	20
5	260 - 307	366	215	---	20

KHSJST Chd	Appd	p_2213417081 File
2003-04-08 Date	2213417081	
R&M MATERIALS HANDLING INC.	R&M Materials Handling Inc.	
	4501 Gateway Blvd, Springfield	
	LM10 HG	Issue 02/2007