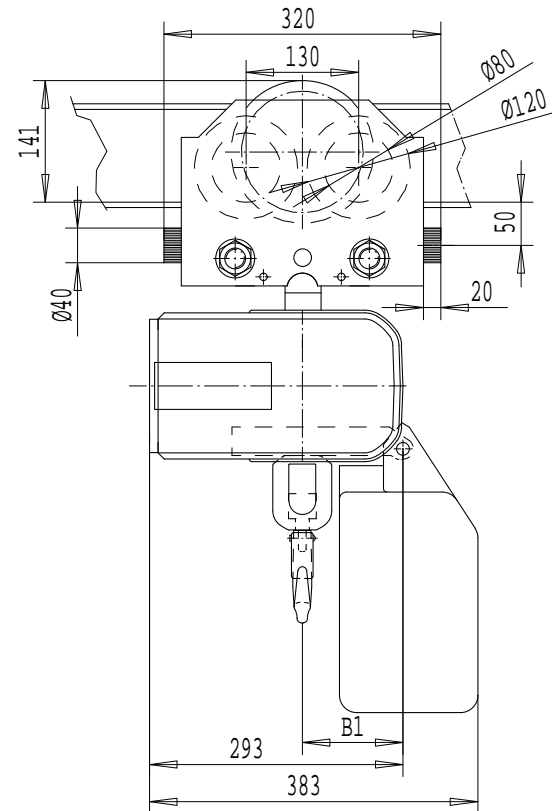
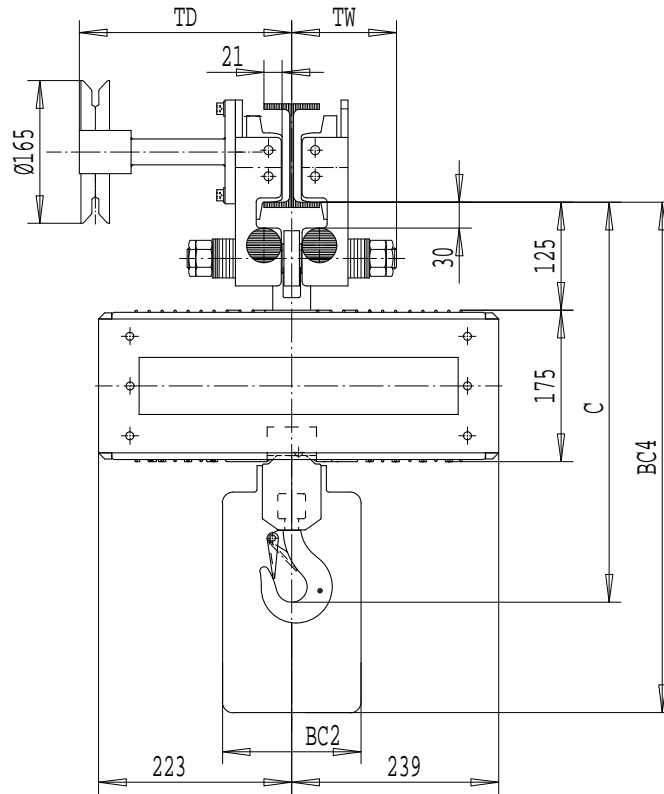


Dimensions are for reference in estimating only. Use of various modifications may affect overall dimensional outline. Where dimensions are critical, request certified drawings for construction. All dimensions are in millimeters unless otherwise noted.



	C	B1	BC2				BC4			
LIFT	---	---	<4m	<8m	<15m	<25m	<4m	<8m	<15m	<25m
2 FALLS	524	145	160	150	320	320	590	655	655	775

LOAD MATE CHAIN HOIST MODEL NUMBER							FLG CODE
FR	CAP Kg	LFT m	SUSP	1 SPEED m/MIN	2 SPEED m/MIN(4:1)	FALL	
LM10	2000	3	HG	2.4S, 4.9S	4.9T	2	1 - 4

TROLLEY DIMENSIONS					
FLG CODE	FLANGE RANGES	MAX. TD	MAX. TW	MIN. WS	MAX FLG THK
1	64 - 126	275	130	---	25
2	131 - 190	307	163	---	25
3	198 - 248	336	195	---	25
4	260 - 310	367	230	---	25

KHSJST	Appd	p_2213417082
Chd		File
2003-04-08	2213417082	
Date		
R&M	R&M Materials Handling Inc.	
MATERIALS HANDLING	4501 Gateway Blvd, Springfield	
INC.	LM10 HG	Issue 02/2007

2213417082