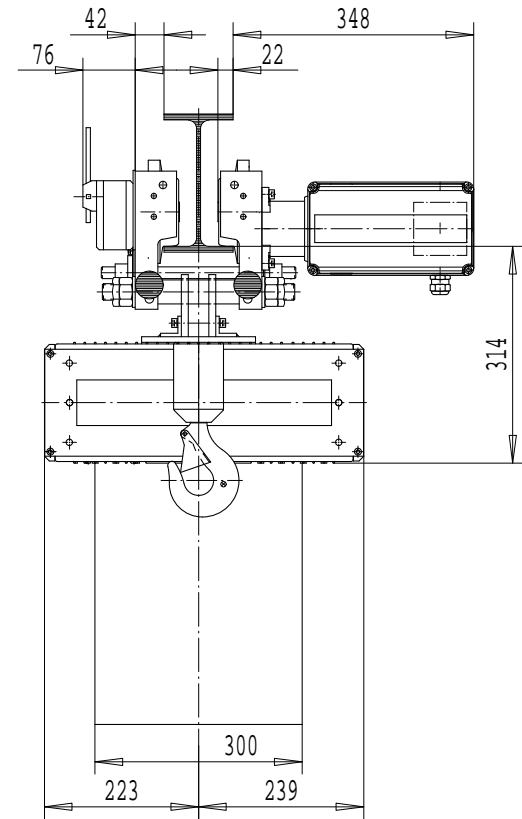
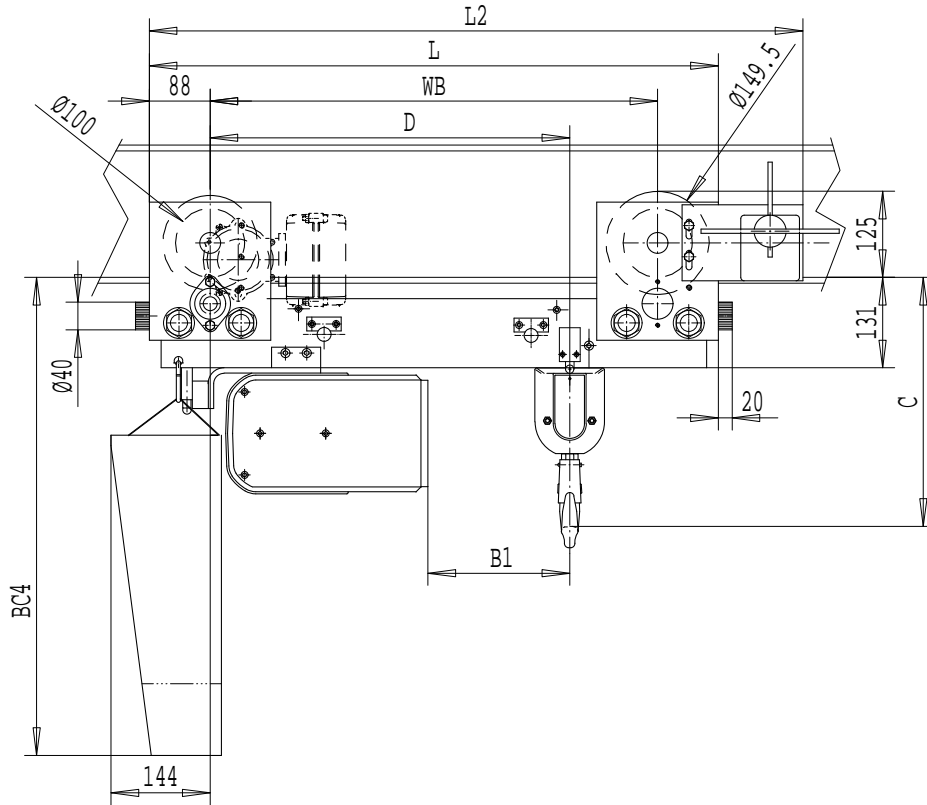


Dimensions are for reference in estimating only. Use of various modifications may affect overall dimensional outline. Where dimensions are critical, request certified drawings for construction. All dimensions are in millimeters unless otherwise noted.



LENGTH- FALLS	C	B1	D	WB	L	L2	BC4 <LIFT: DIM.
SHORT- 2 FALLS	361	165	521	648	824	947	<15m: 589 <20m: 694
LONG - 2 FALLS	361	480	836	963	1139	1262	<15m: 589 <20m: 694

LOAD MATE CHAIN HOIST MODEL NUMBER							FLG CODE	TROLLEY DIMENSIONS					
FR	CAP Kg	LIFT m	SUSP	1 SPEED m/MIN	2 SPEED m/MIN(4:1)	FALL		FLG CODE	FLANGE RANGES	MAX. TD	MAX. TW	MIN. WS	MAX. FLG THK
LM10	2000	3	ML*	2.4S,4.9S	4.9T	2	---	---	58 - 310	---	---	14	25

Chd	Appd	p_2213417095 File
2003-05-08 Date	2213417095	
R&M	R&M Materials Handling Inc.	
MATERIALS HANDLING	4501 Gateway Blvd, Springfield	
INC.	LM10 MLS / MLL	Issue 02/2007