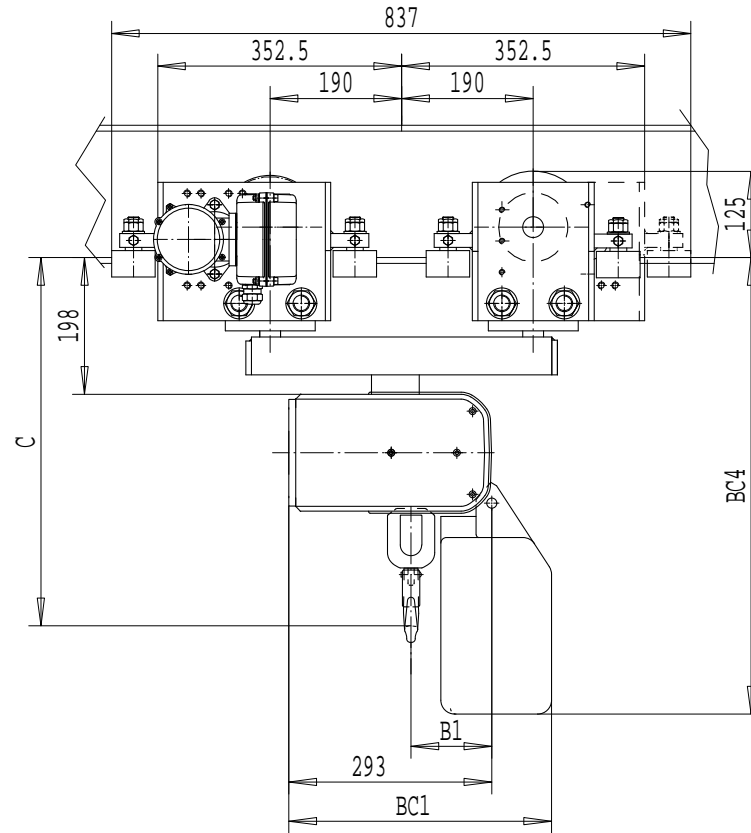
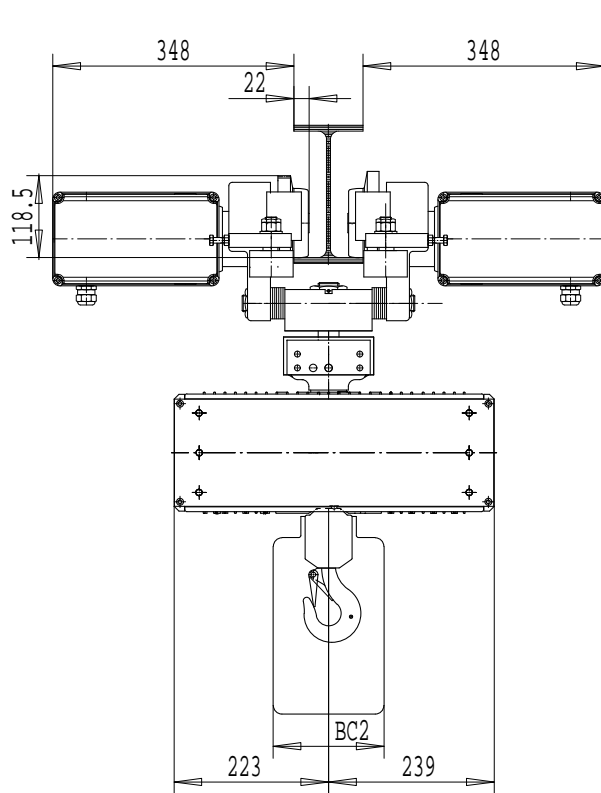


Dimensions are for reference in estimating only. Use of various modifications may affect overall dimensional outline. Where dimensions are critical, request certified drawings for construction. All dimensions are in millimeters unless otherwise noted.



2213417089

	C	B1	BC1				BC2				BC4			
LIFT	---	---	<8m	<16m	<30m	<46m	<8m	<16m	<30m	<46m	<8m	<16m	<30m	<46m
1 FALL	536	116	400	395	395	395	160	150	320	320	661	726	726	846
LIFT	---	---	<4m	<8m	<15m	<23m	<4m	<8m	<15m	<23m	<4m	<8m	<15m	<23m
2 FALLS	597	145	400	395	395	395	160	150	320	320	661	726	726	846

MINIMUM RADIUS CURVE: 0.800 m

LOAD MATE CHAIN HOIST MODEL NUMBER								TROLLEY DIMENSIONS						Chd	Appd	p_2213417089 File
FR	CAP Kg	LFT m	SUSP	1 SPEED m/MIN	2 SPEED m/MIN(4:1)	FALL	FLG CODE	FLG CODE	FLANGE RANGES	MAX. TD	MAX TW	MIN. WS	MAX FLG THK	2003-04-24 Date	2213417089	
LM10	500	3	SW	---	19.5T	1	---	--	66 - 292	--	--	22	30		R&M Materials Handling Inc.	
LM10	1000	3	SW	4.9S,9.8S	9.8T	1	---								4501 Gateway Blvd, Springfield	
LM10	2000	3	SW	2.4S,4.9S	4.9T	2	---								LM10 SWIVEL TROLLEY	Issue 02/2007