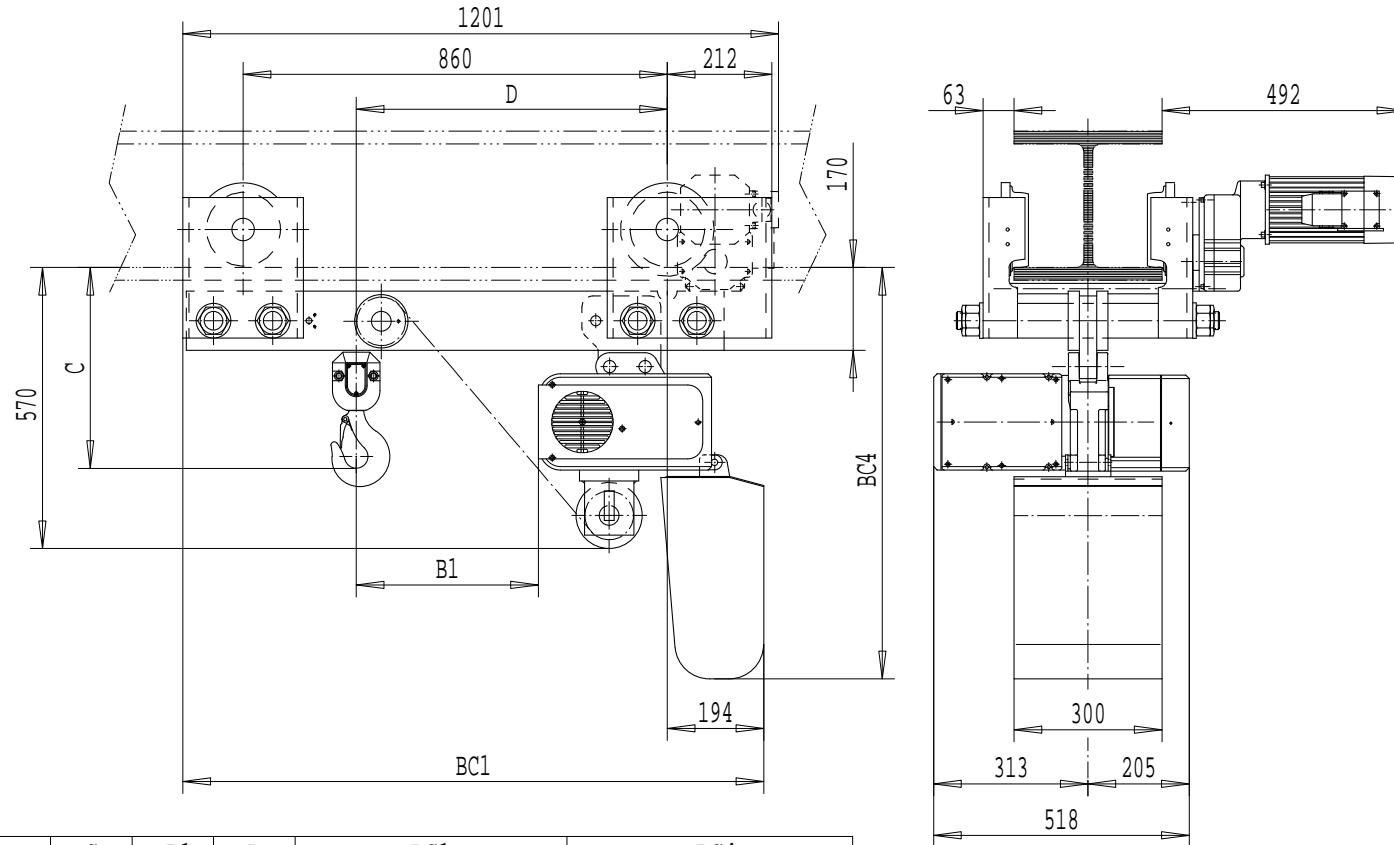


2213417097

Dimensions are for reference in estimating only. Use of various modifications may affect overall dimensional outline. Where dimensions are critical, request certified drawings for construction. All dimensions are in millimeters unless otherwise noted.



	C	B1	D	BC1			BC4		
LIFT	---	---	---	<12m	<30m	<46m	<12m	<30m	<46m
1 FALL	411	452	631	1178	1348	1418	839	998	1198
LIFT	---	---	---	<6m	<15m	<23m	<6m	<15m	<23m
2 FALLS	521	501	680	1178	1348	1418	839	998	1198

LOAD MATE CHAIN HOIST MODEL NUMBER								TROLLEY DIMENSIONS						Chd	Appd	p_2213417097 File
FR	CAP Kg	LIFT m	SUSP	1 SPEED m/MIN	2 SPEED m/MIN(4:1)	FALL	FLG CODE	FLG CODE	FLANGE RANGES	MAX. TD	MAX. TW	MIN. WS	MAX. FLG THK	2003-05-21 Date	2213417097	
LM20	2000	3	ML	---	9.8T	1	---	---	58 - 310	---	305	38	22		R&M Materials Handling Inc.	
LM20	4000	3	ML	---	4.9T	2	---								4501 Gateway Blvd, Springfield	
															LM20 ML	Issue 02/2007