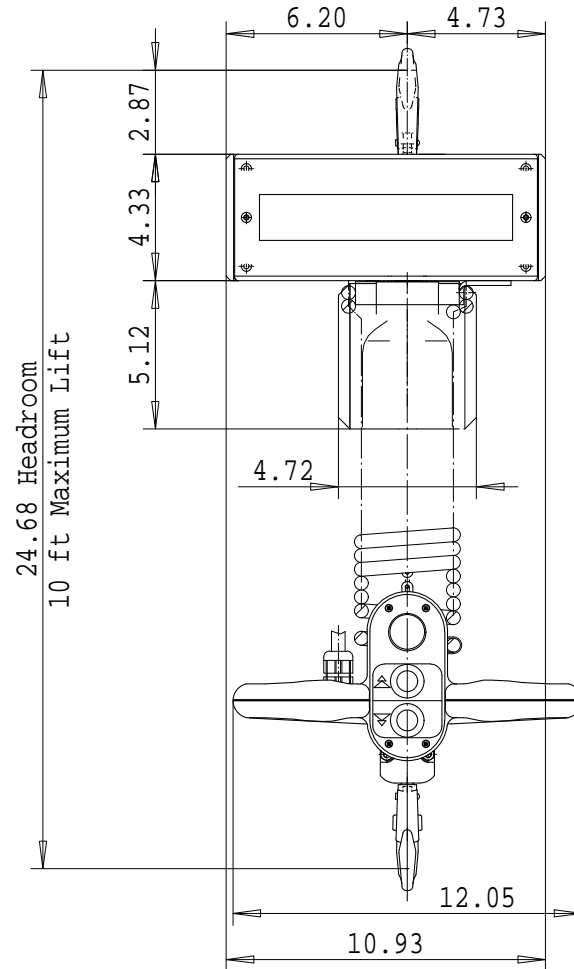
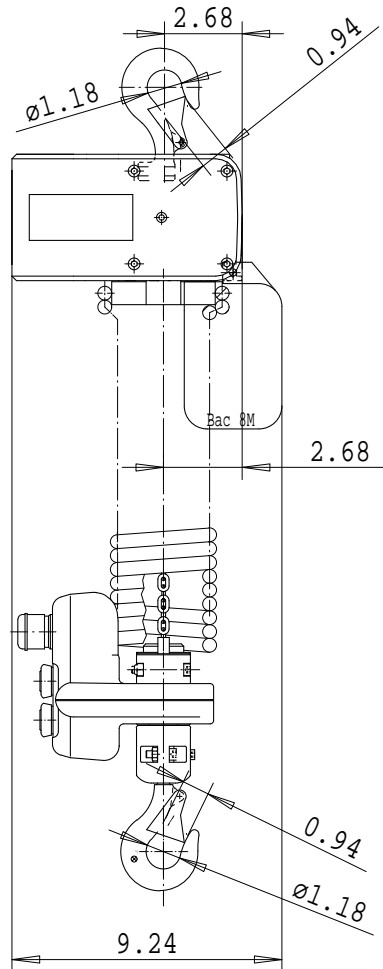


Dimensions are for reference in estimating only. Use of various modifications may affect overall dimensional outline. Where dimensions are critical, request certified drawings for construction. All dimensions are in inches unless otherwise noted.

2213417075



Note: Digichain option only available for single fall hoists.

LOAD MATE CHAIN HOIST MODEL NUMBER							TROLLEY DIMENSIONS						Chd	Appd	p_2213417075 File	
FR	CAP TON	LFT FT	SUSP	1 SPEED FPM	2 SPEED FPM(4:1)	FALL	FLG CODE	FLG CODE	FLANGE RANGES	MAX. TD	MAX TW	MIN. WS	MAX FLG THK	2003-03-31 Date	2213417075	
LM1	1/8	10	TH	---	32T	1	---	---	---	---	---	---	---		R&M Materials Handling Inc.	
															4501 Gateway Blvd, Springfield	
															LM1 DIGICHAIN	Issue 02/2007