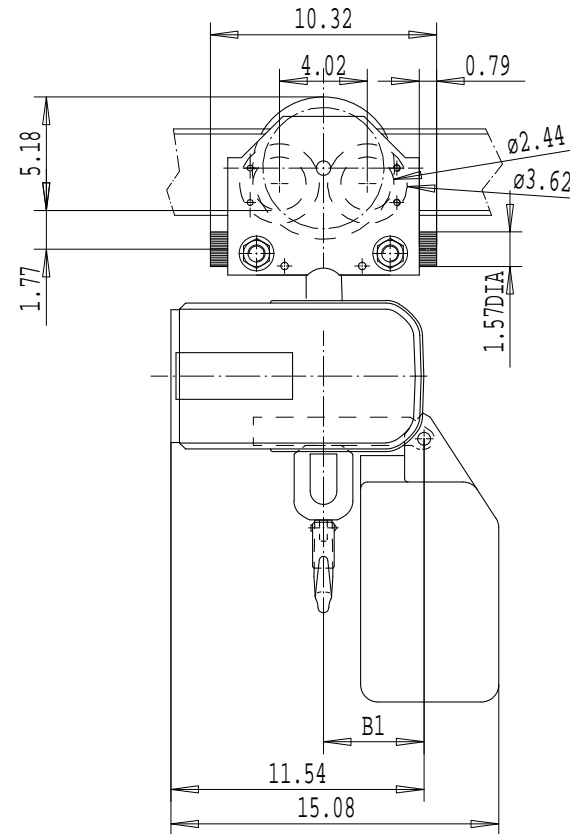
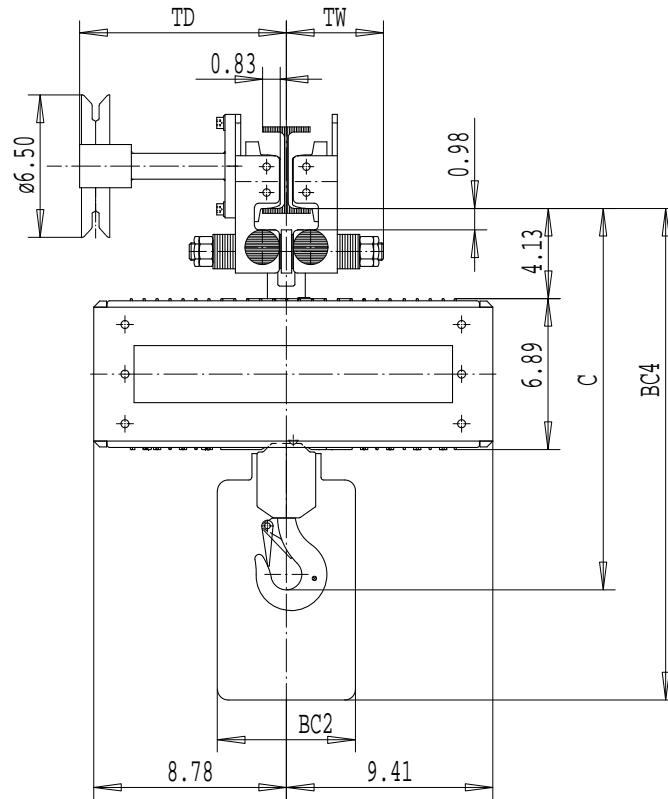


Dimensions are for reference in estimating only. Use of various modifications may affect overall dimensional outline. Where dimensions are critical, request certified drawings for construction. All dimensions are in inches unless otherwise noted.



	C	B1	BC2				BC4			
LIFT	---	---	<25ft	<50ft	<100ft	<150ft	<25ft	<50ft	<100ft	<150ft
1 FALL	18.23	4.57	6.30	5.91	12.60	12.60	23.23	25.79	25.79	30.51
LIFT	---	---	<12ft	<25ft	<50ft	<75ft	<12ft	<25ft	<50ft	<75ft
2 FALLS	20.63	5.71	6.30	5.91	12.60	12.60	23.23	25.79	25.79	30.51

LOAD MATE CHAIN HOIST MODEL NUMBER							FLG CODE
FR	CAP TON	LFT FT	SUSP	1 SPEED FPM	2 SPEED FPM(4:1)	FALL	
LM10	1/2	10	HG	---	64T	1	1 - 5
LM10	1	10	HG	16S,32S	32T	1	1 - 5

TROLLEY DIMENSIONS					
FLG CODE	FLANGE RANGES	MAX. TD	MAX. TW	MIN. WS	MAX FLG THK
1	2.28 - 3.94	10.32	4.43	---	.79
2	4.17 - 5.90	11.30	5.31	---	.79
3	6.10 - 7.87	12.29	6.30	---	.79
4	8.11 - 9.76	13.23	7.28	---	.79
5	10.23-12.09	14.40	8.46	---	.79

KHSJST	Appd	p_2213417081
Chd		File
2003-04-08	2213417081	
Date		
R&M	R&M Materials Handling Inc.	
MATERIALS	4501 Gateway Blvd, Springfield	
HANDLING		
INC.	LM10 HG	Issue
		02/2007

2213417081