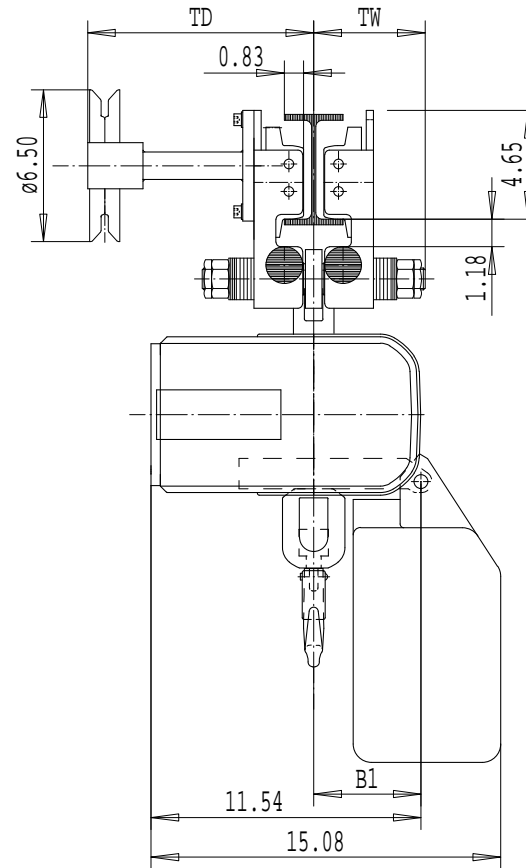
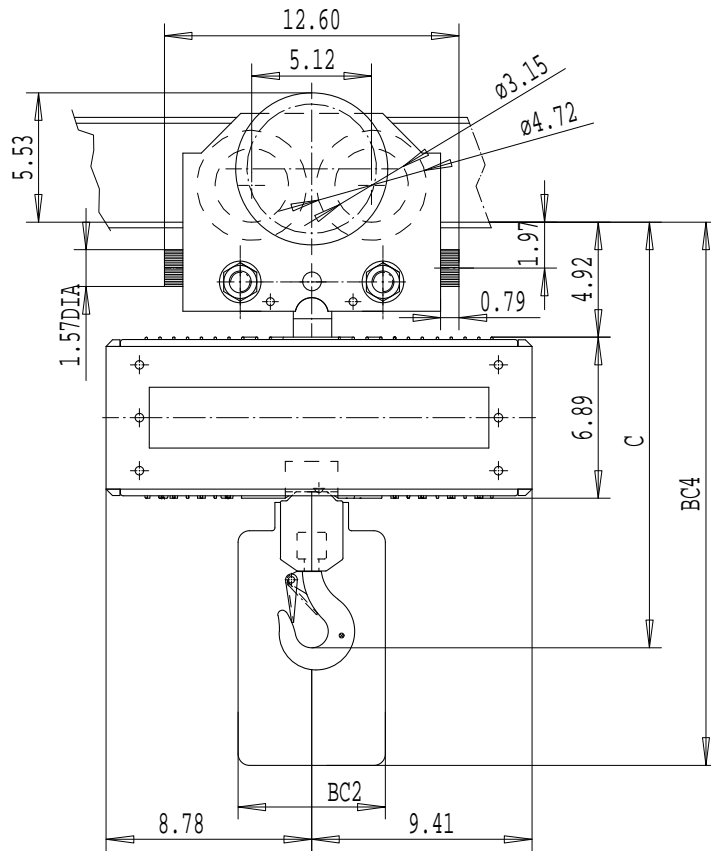


2213417084

Dimensions are for reference in estimating only. Use of various modifications may affect overall dimensional outline. Where dimensions are critical, request certified drawings for construction. All dimensions are in inches unless otherwise noted.



	C	B1	BC2				BC4			
LIFT	---	---	<12ft	<25ft	<50ft	<75ft	<12ft	<25ft	<50ft	<75ft
2 FALLS	20.63	5.71	6.30	5.91	12.60	12.60	23.23	25.79	25.79	30.51

LOAD MATE CHAIN HOIST MODEL NUMBER							FLG CODE
FR	CAP TON	LFT FT	SUSP	1 SPEED FPM	2 SPEED FPM(4:1)	FALL	
LM10	2	10	HGX	8S,16S	16T	2	1 - 4

TROLLEY DIMENSIONS					
FLG CODE	FLANGE RANGES	MAX. TD	MAX. TW	MIN. WS	MAX FLG THK
1	2.52 - 4.96	---	6.14	---	.98
2	5.16 - 7.48	---	7.40	---	.98
3	7.80 - 9.76	---	8.54	---	.98
4	10.24-12.20	---	9.76	---	.98

Chd	Appd	p_2213417084 File
2003-04-08 Date	2213417084	
R&M	R&M Materials Handling Inc.	
MATERIALS HANDLING	4501 Gateway Blvd, Springfield	
INC.	LM10 HGX	Issue 02/2007