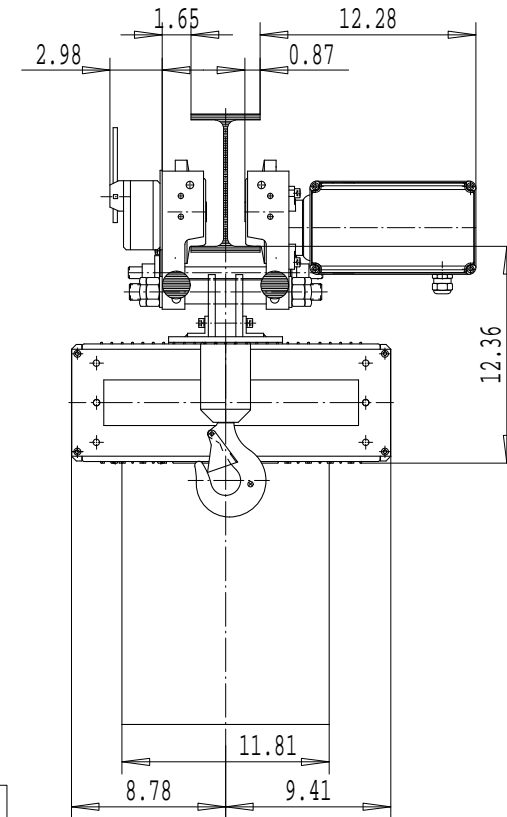
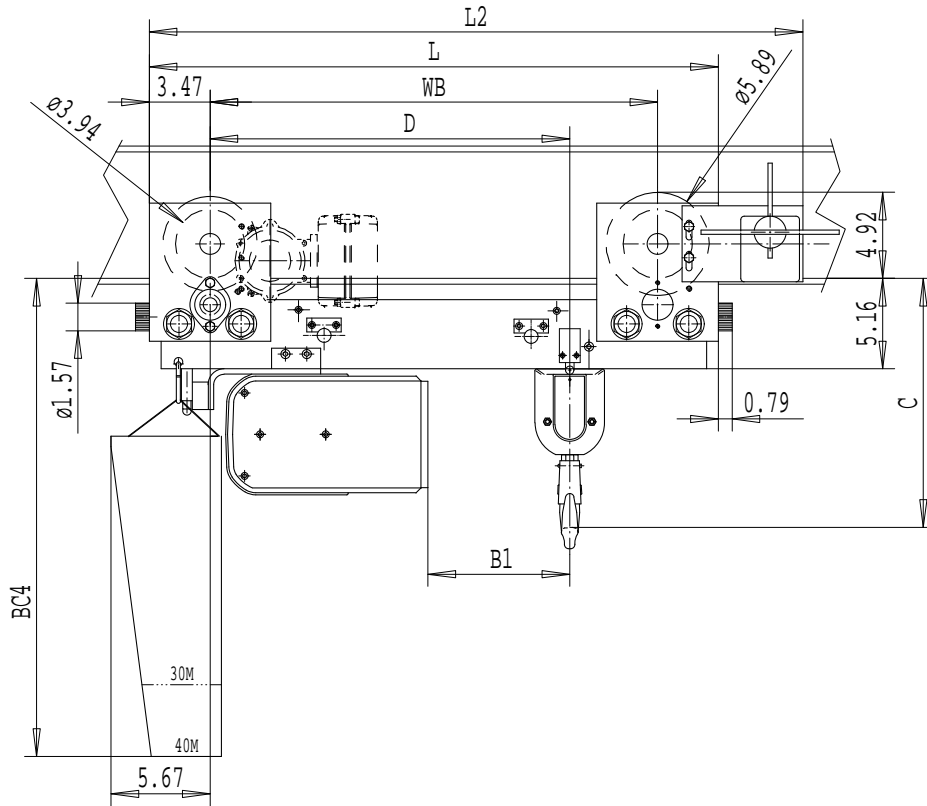


Dimensions are for reference in estimating only. Use of various modifications may affect overall dimensional outline. Where dimensions are critical, request certified drawings for construction. All dimensions are in inches unless otherwise noted.



LENGTH- FALLS	C	B1	D	WB	L	L2	BC4 <LIFT: DIM.	
SHORT- 1 FALL	12.32	5.32	19.33	25.51	32.44	37.28	<100ft:23.19	<130ft:27.32
- 2 FALLS	14.21	6.50	20.51	25.51	32.44	37.28	<50ft:23.19	<65ft:27.32
LONG - 1 FALL	12.32	17.72	31.75	37.91	44.84	49.69	<100ft:23.19	<130ft:27.32
- 2 FALLS	14.21	18.90	32.91	37.91	44.84	49.69	<50ft:23.19	<65ft:27.32

LOAD MATE CHAIN HOIST MODEL NUMBER								TROLLEY DIMENSIONS					
FR	CAP TON	LIFT FT	SUSP	1 SPEED FPM	2 SPEED FPM(4:1)	FALL	FLG CODE	FLG CODE	FLANGE RANGES	MAX. TD	MAX. TW	MIN. WS	MAX. FLG THK
LM10	1/2	10	ML*	---	64T	1	---	---	2.28 - 12.20	---	---	0.55	.98
LM10	1	10	ML*	16S, 32S	32T	1	---						

Chd	Appd	p_2213417094 File
2003-05-06 Date	2213417094	
R&M	R&M Materials Handling Inc.	
MATERIALS HANDLING	4501 Gateway Blvd, Springfield	
INC.	LM10 MLS / MLL	Issue 02/2007