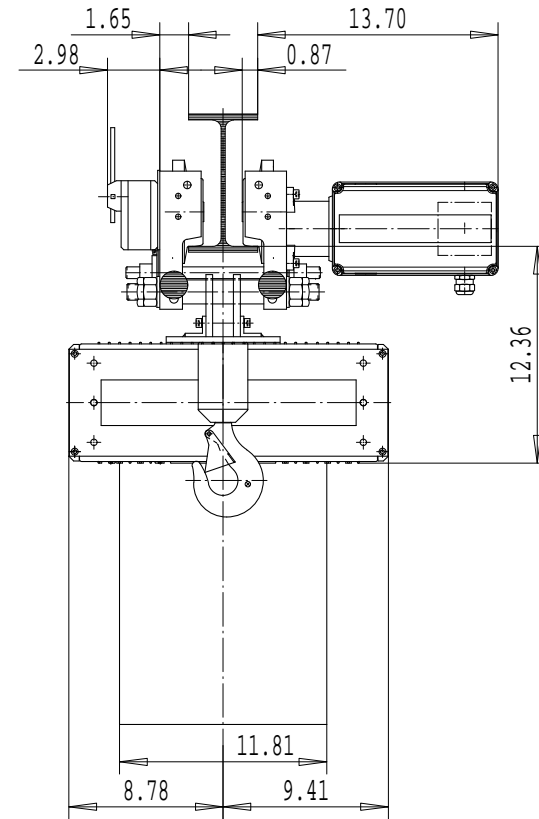
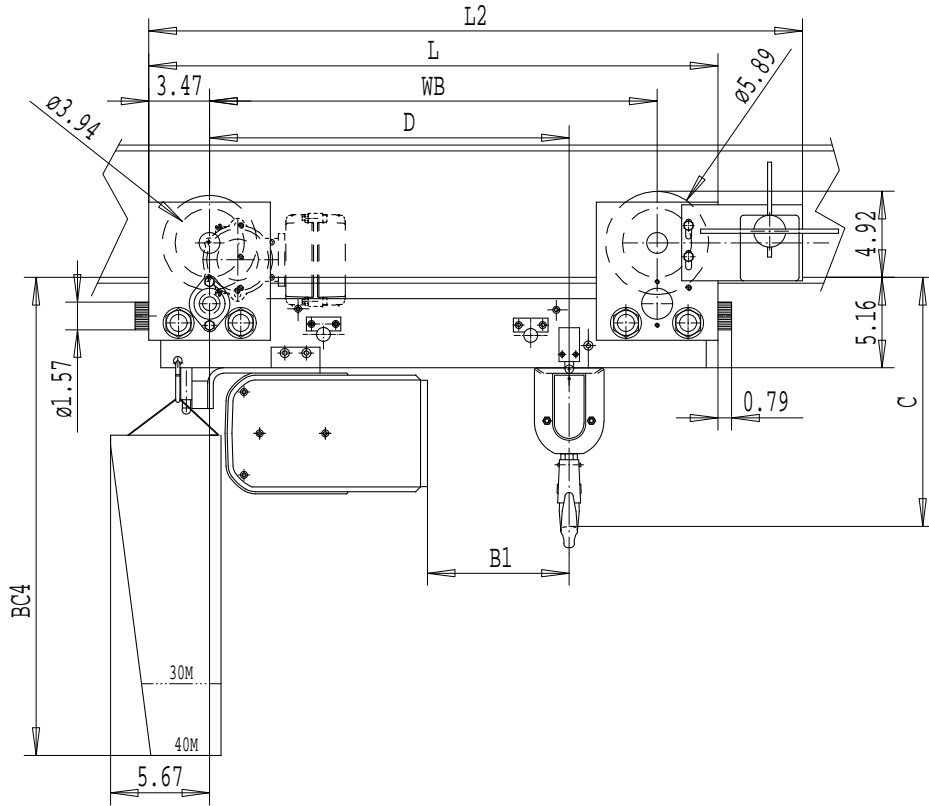


Dimensions are for reference in estimating only. Use of various modifications may affect overall dimensional outline. Where dimensions are critical, request certified drawings for construction. All dimensions are in inches unless otherwise noted.



2213417095

LENGTH- FALLS	C	B1	D	WB	L	L2	BC4 <LIFT: DIM.	
SHORT- 2 FALLS	14.21	6.50	20.51	25.51	32.44	37.28	<50ft:23.19	<65ft:27.32
LONG - 2 FALLS	14.21	18.90	32.91	37.91	44.84	49.69	<50ft:23.19	<65ft:27.32

LOAD MATE CHAIN HOIST MODEL NUMBER							FLG CODE	TROLLEY DIMENSIONS					
FR	CAP TON	LIFT FT	SUSP	1 SPEED FPM	2 SPEED FPM(4:1)	FALL		FLG CODE	FLANGE RANGES	MAX. TD	MAX. TW	MIN. WS	MAX. FLG THK
LM10	2	10	ML*	8S,16S	16T	2	---	---	2.28 - 12.20	---	---	0.55	.98

Chd	Appd	p_2213417095 File
2003-05-08 Date	2213417095	
R&M	R&M Materials Handling Inc.	
MATERIALS HANDLING	4501 Gateway Blvd, Springfield	
INC.	LM10 MLS / MLL	Issue 02/2007