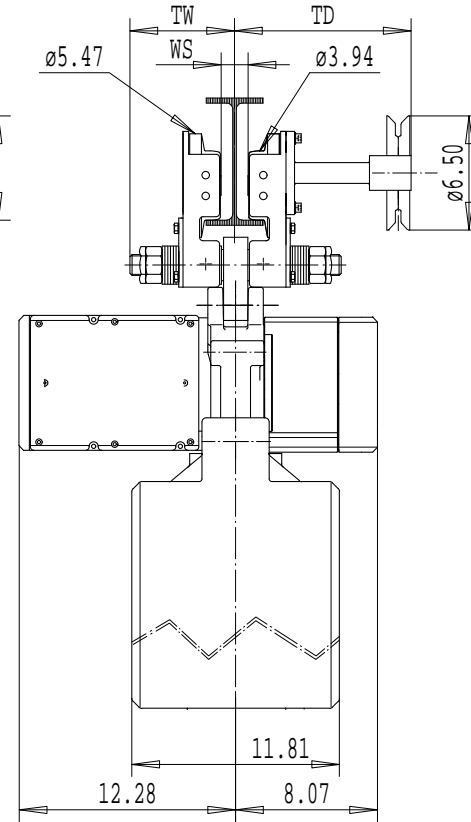
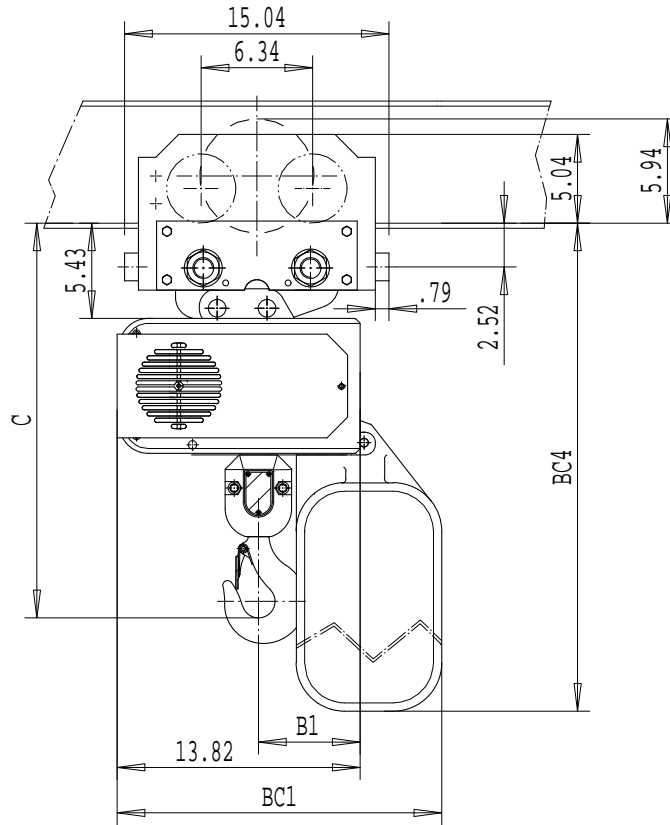


Dimensions are for reference in estimating only. Use of various modifications may affect overall dimensional outline. Where dimensions are critical, request certified drawings for construction. All dimensions are in inches unless otherwise noted.



2213417039

	C	B1	BC1		BC4	
LIFT			<50ft	<150ft	<50ft	<150ft
1 FALL	23.62	5.79	17.99	24.80	29.80	36.14
LIFT			<25ft	<75ft	<25ft	<75ft
2 FALLS	27.95	7.72	17.99	24.80	29.80	36.14

LOAD MATE CHAIN HOIST MODEL NUMBER							
FR	CAP TON	LFT FT	SUSP	1 SPEED FPM	2 SPEED FPM(4:1)	FALL	FLG CODE
LM16	1	10	HG	-----	64T	1	1 - 4
LM16	1 1/2	10	HG	-----	32T	1	1 - 4
LM16	3	10	HG	-----	16T	2	1 - 4

TROLLEY DIMENSIONS					
FLG CODE	FLANGE RANGES	MAX. TD	MAX TW	MIN. WS	MAX FLG THK
1	3.23-5.39	12.17	6.02	1.50	.79
2	5.51-7.48	14.25	7.20	3.78	.79
3	7.80-9.76	16.54	8.39	6.06	.79
4	10.24-12.20	18.98	9.69	8.50	.79

KHSJST	Chd	Appd	p_2213417039
2001-03-20	Date	2213417039	File
R&M	MATERIALS HANDLING	INC.	R&M Materials Handling Inc. 4501 Gateway Blvd, Springfield
			LM16 HG HOIST
			Issue 02/2007