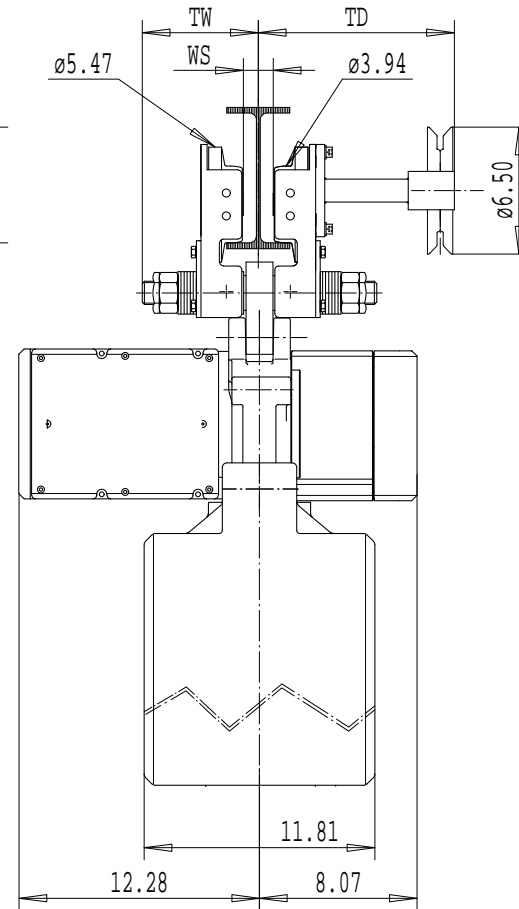
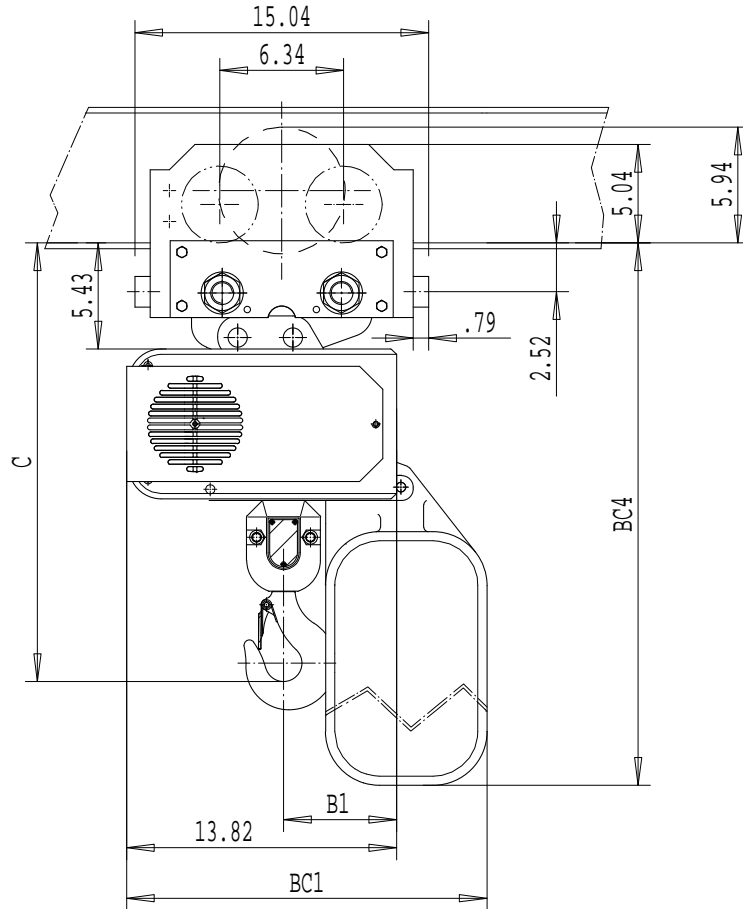


Dimensions are for reference in estimating only. Use of various modifications may affect overall dimensional outline. Where dimensions are critical, request certified drawings for construction. All dimensions are in inches unless otherwise noted.



2213417078

	C	B1	BC1			BC4		
LIFT	--	--	<40ft	<100ft	<150ft	<40ft	<100ft	<150ft
1 FALL	22.48	5.79	18.46	25.16	27.91	29.80	36.14	44.02

LOAD MATE CHAIN HOIST MODEL NUMBER								FLG CODE
FR	CAP TON	LFT FT	SUSP	1 SPEED FPM	2 SPEED FPM(4:1)	FALL	FLG CODE	
LM25	3	10	HG	-----	24T	1	1 - 4	

TROLLEY DIMENSIONS					
FLG CODE	FLANGE RANGES	MAX. TD	MAX TW	MIN. WS	MAX FLG THK
1	3.23-5.39	12.17	6.02	1.50	.79
2	5.51-7.48	14.25	7.20	3.78	.79
3	7.80-9.76	16.54	8.39	6.06	.79
4	10.24-12.20	18.98	9.69	8.50	.79

KHSJST Chd	Appd	p_2213417078 File
2003-04-02 Date	2213417078	
R&M MATERIALS HANDLING INC.	R&M Materials Handling Inc. 4501 Gateway Blvd, Springfield LM25 HG HOIST	
	Issue	02/2007