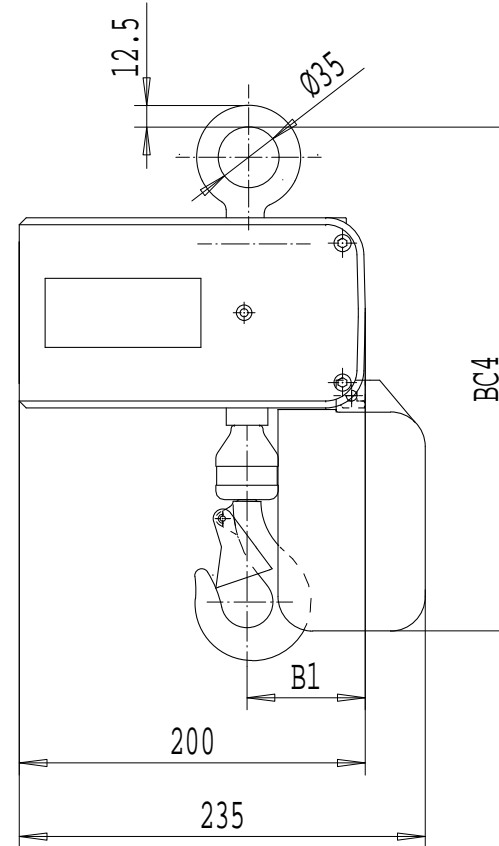
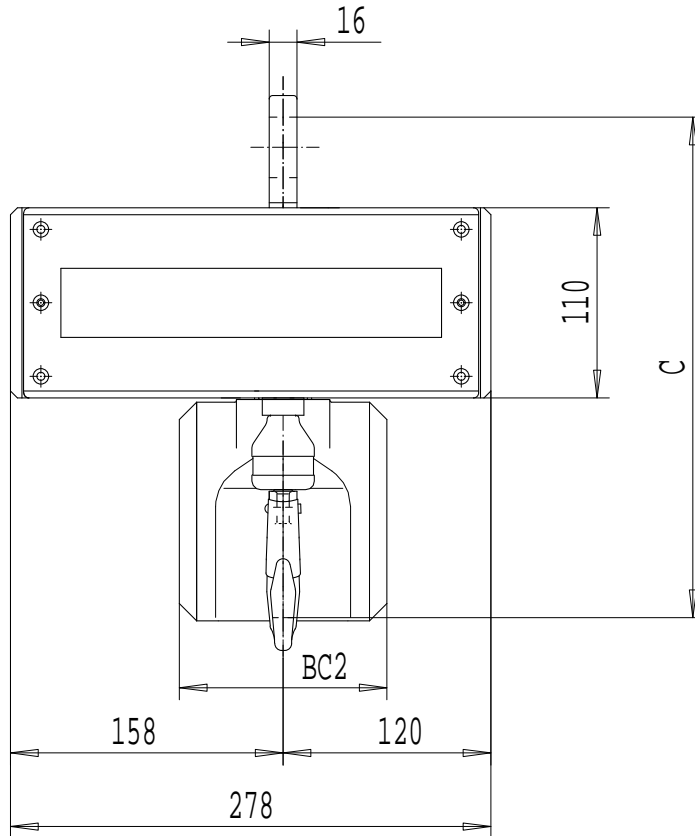


Dimensions are for reference in estimating only. Use of various modifications may affect overall dimensional outline. Where dimensions are critical, request certified drawings for construction. All dimensions are in millimeters unless otherwise noted.

2213417085



	C	B1	BC2			BC4		
LIFT	---	---	<8m	<16m	<30m	<8m	<16m	<30m
1 FALL	289	68	120	130	130	291	353	438
LIFT	---	---	<4m	<8m	<15m	<4m	<8m	<15m
2 FALLS	313	83	120	130	130	291	353	438

LOAD MATE CHAIN HOIST MODEL NUMBER							TROLLEY DIMENSIONS						
FR	CAP Kg	LFT m	SUSP	1 SPEED m/MIN	2 SPEED m/MIN(4:1)	FALL	FLG CODE	FLG CODE	FLANGE RANGES	MAX. TD	MAX TW	MIN. WS	MAX FLG THK
LM1	125	3	LP	-----	9.8T	1	---	---	---	---	---	---	---
LM1	125	3	LP	-----	4.9T	2	---	---	---	---	---	---	---
LM1	250	3	LP	-----	4.9T	2	---	---	---	---	---	---	---

KHSJST Chd	Appd	p_2213417085 File
2003-04-22 Date	2213417085	
R&M MATERIALS HANDLING INC.	R&M Materials Handling Inc. 4501 Gateway Blvd, Springfield	
	LM1 LP	Issue 02/2007