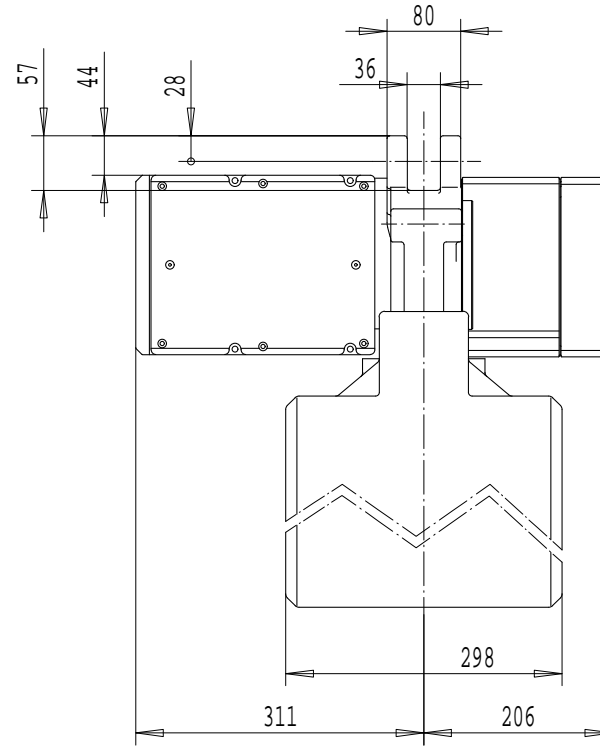
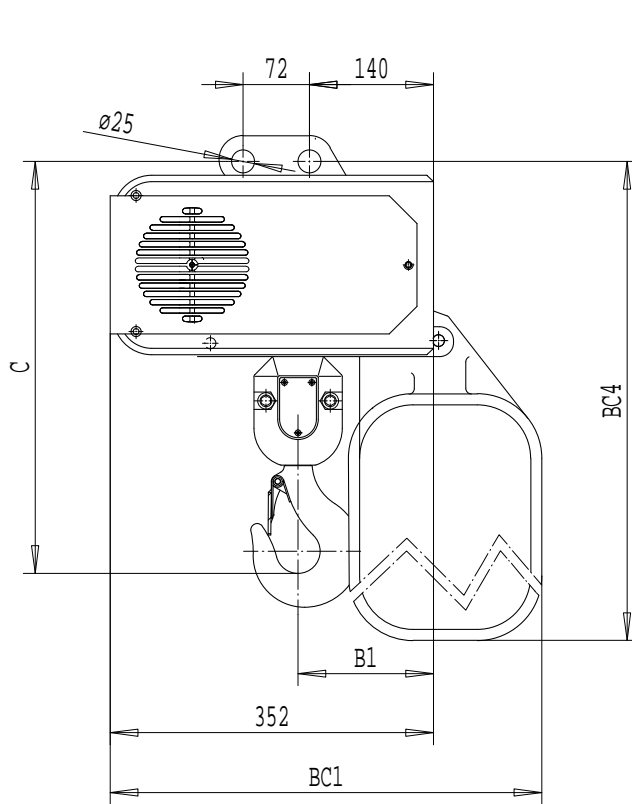


Dimensions are for reference in estimating only. Use of various modifications may affect overall dimensional outline. Where dimensions are critical, request certified drawings for construction. All dimensions are in millimeters unless otherwise noted.

2213417038



	C	B1	BC1			BC4		
LIFT			<12m	<30m	<46m	<12m	<30m	<46m
1 FALL	448	146	470	638	708	634	795	995
LIFT			<6m	<15m	<23m	<6m	<15m	<23m
2 FALLS	549	197	470	638	708	634	795	995

3000 Kg, 1 FALL IS NOT AVAILABLE

LOAD MATE CHAIN HOIST MODEL NUMBER								TROLLEY DIMENSIONS					
FR	CAP Kg	LIFT m	SUSP	1 SPEED m/MIN	2 SPEED m/MIN(4:1)	FALL	FLG CODE	FLG CODE	FLANGE RANGES	MAX. TD	MAX. TW	MIN. WS	MAX. FLG THK
LM25	2500	3	LM	---	7.4T	1	---	---	---	---	---	---	---
LM25	5000	3	LM	---	3.7T	2	---						

KHSJST Chd	Appd	p_2213417038 File
2001-02-12 Date	2213417038	
R&M	R&M Materials Handling Inc.	
MATERIALS HANDLING	4501 Gateway Blvd, Springfield	
INC.	LM25 LM HOIST	Issue 02/2007