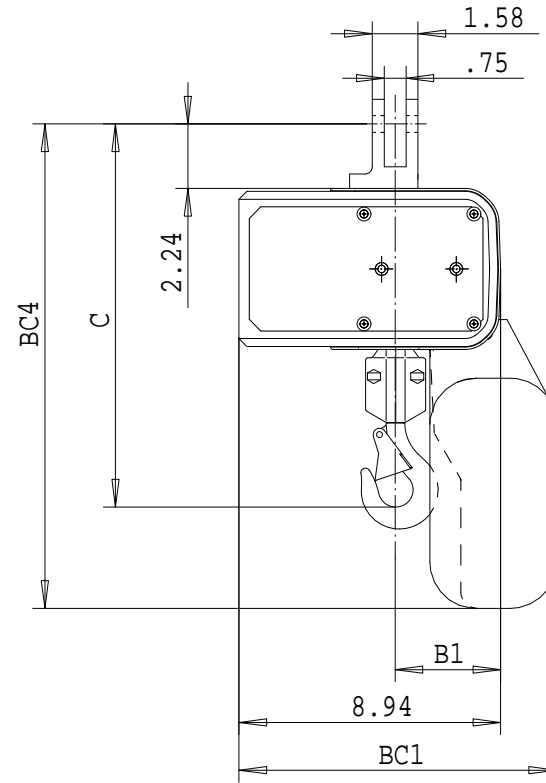
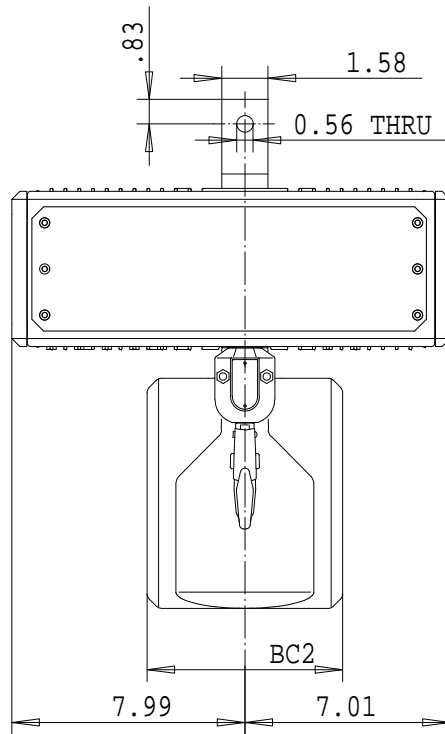


Dimensions are for reference in estimating only. Use of various modifications may affect overall dimensional outline. Where dimensions are critical, request certified drawings for construction. All dimensions are in inches unless otherwise noted.

2213417029



	C	B1	BC1				BC2				BC4			
LIFT	---	---	<25ft	<50ft	<100ft	<150ft	<25ft	<50ft	<100ft	<150ft	<25ft	<50ft	<100ft	<150ft
1 FALL	13.19	3.58	10.87	12.44	12.24	12.24	6.30	5.91	5.91	12.60	16.73	19.09	21.65	21.65
LIFT	---	---	<13ft	<25ft	<50ft	<75ft	<13ft	<25ft	<50ft	<75ft	<13ft	<25ft	<50ft	<50ft
2 FALLS	15.16	4.41	10.87	12.44	12.24	12.24	6.30	5.91	5.91	12.60	16.73	19.09	21.65	21.65

LOAD MATE CHAIN HOIST MODEL NUMBER								TROLLEY DIMENSIONS						Chd	Appd	p_2213417029 File
FR	CAP TON	LFT FT	SUSP	1 SPEED FPM	2 SPEED FPM(4:1)	FALL	FLG CODE	FLG CODE	FLANGE RANGES	MAX. TD	MAX TW	MIN. WS	MAX FLG THK	2001-01-11 Date	2213417029	
LM05	1/4	10	LMX	16S, 32S	32T	1	---	---	---	---	---	---	---		R&M Materials Handling Inc.	
LM05	1/2	10	LMX	16S, 32S	32T	1	---								4501 Gateway Blvd, Springfield	
LM05	1/2	10	LMX	---	16T	2	---								Issue	
LM05	1	10	LMX	---	16T	2	---								LM05 LMX HOIST 02/2007	