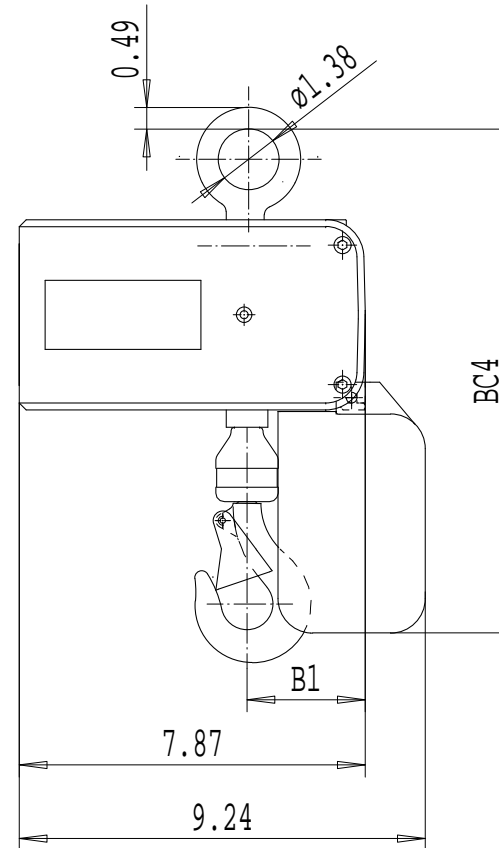
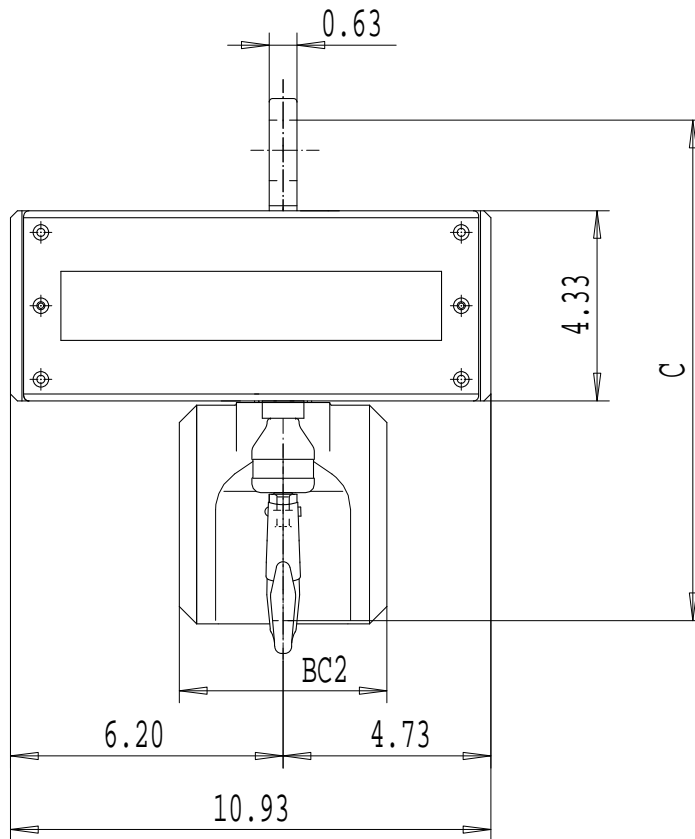


Dimensions are for reference in estimating only. Use of various modifications may affect overall dimensional outline. Where dimensions are critical, request certified drawings for construction. All dimensions are in inches unless otherwise noted.

2213417085



	C	B1	BC2			BC4		
LIFT	---	---	<25ft	<50ft	<100ft	<25ft	<50ft	<100ft
1 FALL	11.38	2.68	4.72	5.12	5.12	11.46	13.90	17.24
LIFT	---	---	<13ft	<25ft	<50ft	<13ft	<25ft	<50ft
2 FALLS	12.32	3.27	4.72	5.12	5.12	11.46	13.90	17.24

LOAD MATE CHAIN HOIST MODEL NUMBER								TROLLEY DIMENSIONS					
FR	CAP TON	LFT FT	SUSP	1 SPEED FPM	2 SPEED FPM(4:1)	FALL	FLG CODE	FLG CODE	FLANGE RANGES	MAX. TD	MAX TW	MIN. WS	MAX FLG THK
LM1	1/8	10	LP	-----	32T	1	---	---	---	---	---	---	---
LM1	1/8	10	LP	-----	16T	2	---						
LM1	1/4	10	LP	-----	16T	2	---						

KHSJST Chd	Appd	p_2213417085 File
2003-04-22 Date	2213417085	
R&M MATERIALS HANDLING INC.	R&M Materials Handling Inc. 4501 Gateway Blvd, Springfield	
	LM1 LP	Issue 02/2007