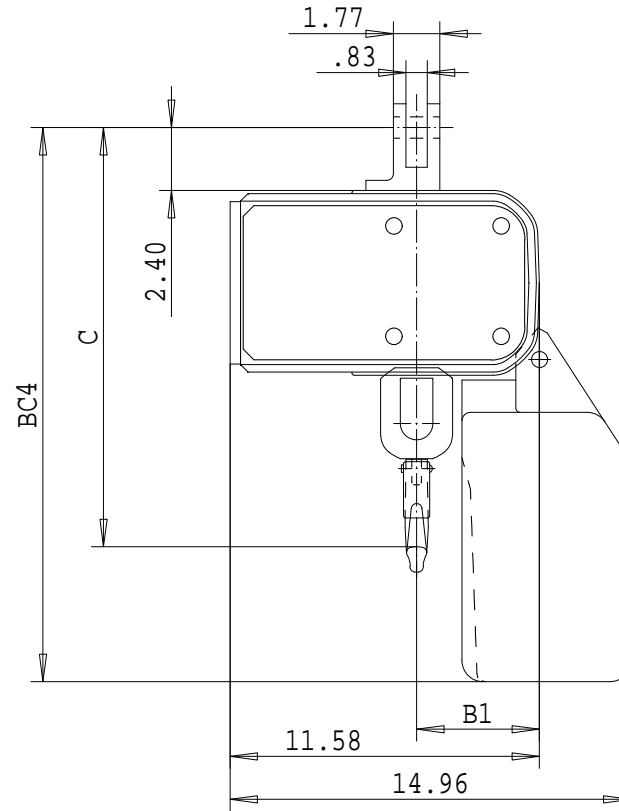
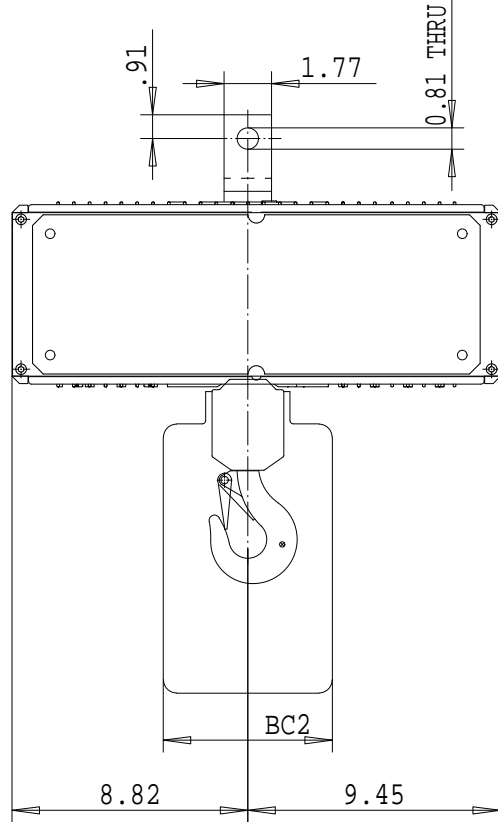


Dimensions are for reference in estimating only. Use of various modifications may affect overall dimensional outline. Where dimensions are critical, request certified drawings for construction. All dimensions are in inches unless otherwise noted.

2213417031



	C	B1	BC2				BC4			
LIFT	---	---	<25ft	<50ft	<100ft	<150ft	<25ft	<50ft	<100ft	<150ft
1 FALL	15.71	4.57	6.30	5.91	12.60	12.60	21.50	24.06	24.06	28.78
LIFT	---	---	<13ft	<25ft	<50ft	<75ft	<13ft	<25ft	<50ft	<75ft
2 FALLS	18.11	5.71	6.30	5.91	12.60	12.60	21.50	24.06	24.06	28.78

LOAD MATE CHAIN HOIST MODEL NUMBER								TROLLEY DIMENSIONS						Chd	Appd	p_2213417031 File	
FR	CAP TON	LFT FT	SUSP	1 SPEED FPM	2 SPEED FPM(4:1)	FALL	FLG CODE	FLG CODE	FLANGE RANGES	MAX. TD	MAX TW	MIN. WS	MAX FLG THK	2001-01-12 Date	2213417031		
LM10	1/2	10	LM	---	64T	1	---	---	---	---	---	---	---		R&M Materials Handling Inc.		
LM10	1	10	LM	16S,32S	32T	1	---								R&M		
LM10	2	10	LM	8S,16S	16T	2	---								MATERIALS HANDLING	4501 Gateway Blvd, Springfield	
															INC.	LM10 LMX HOIST	Issue 02/2007